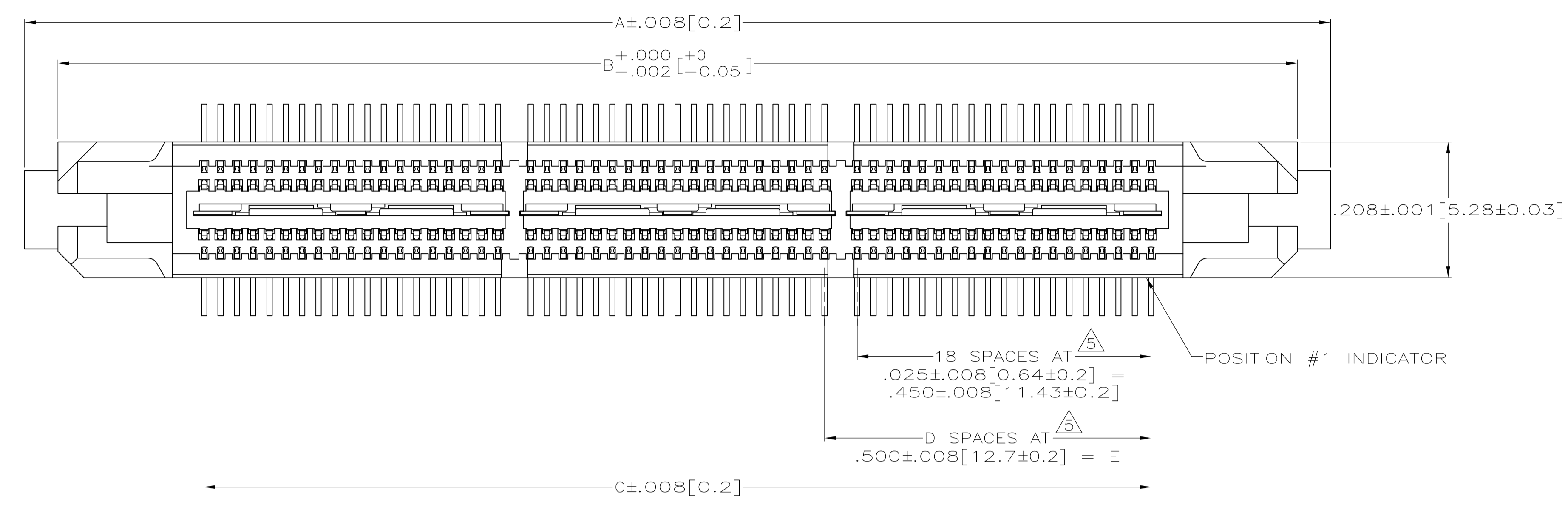
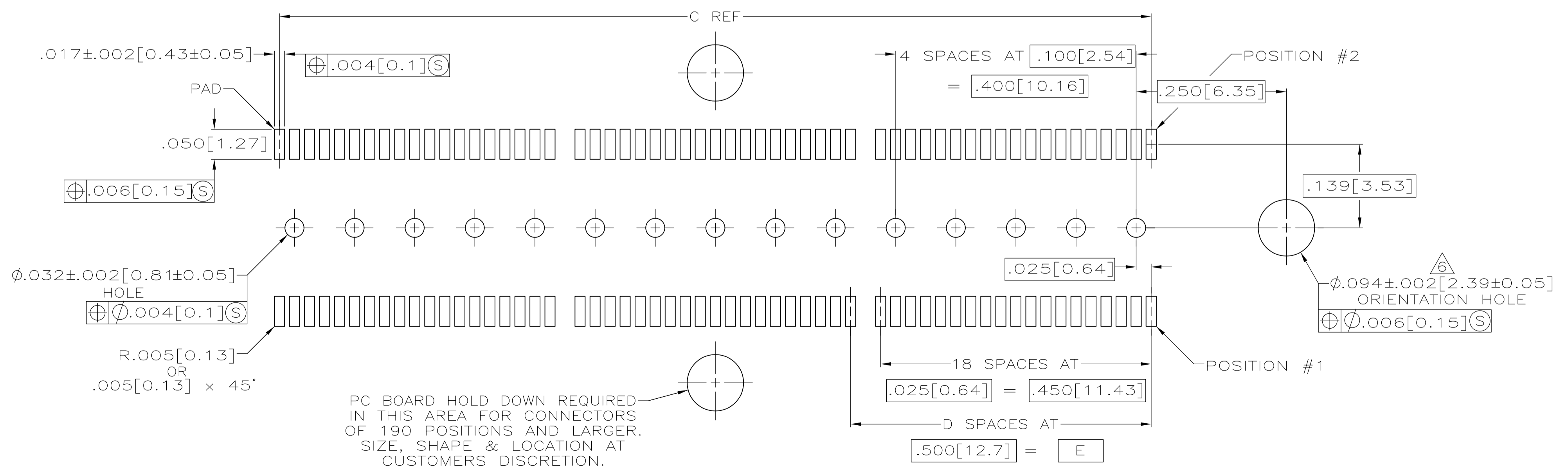
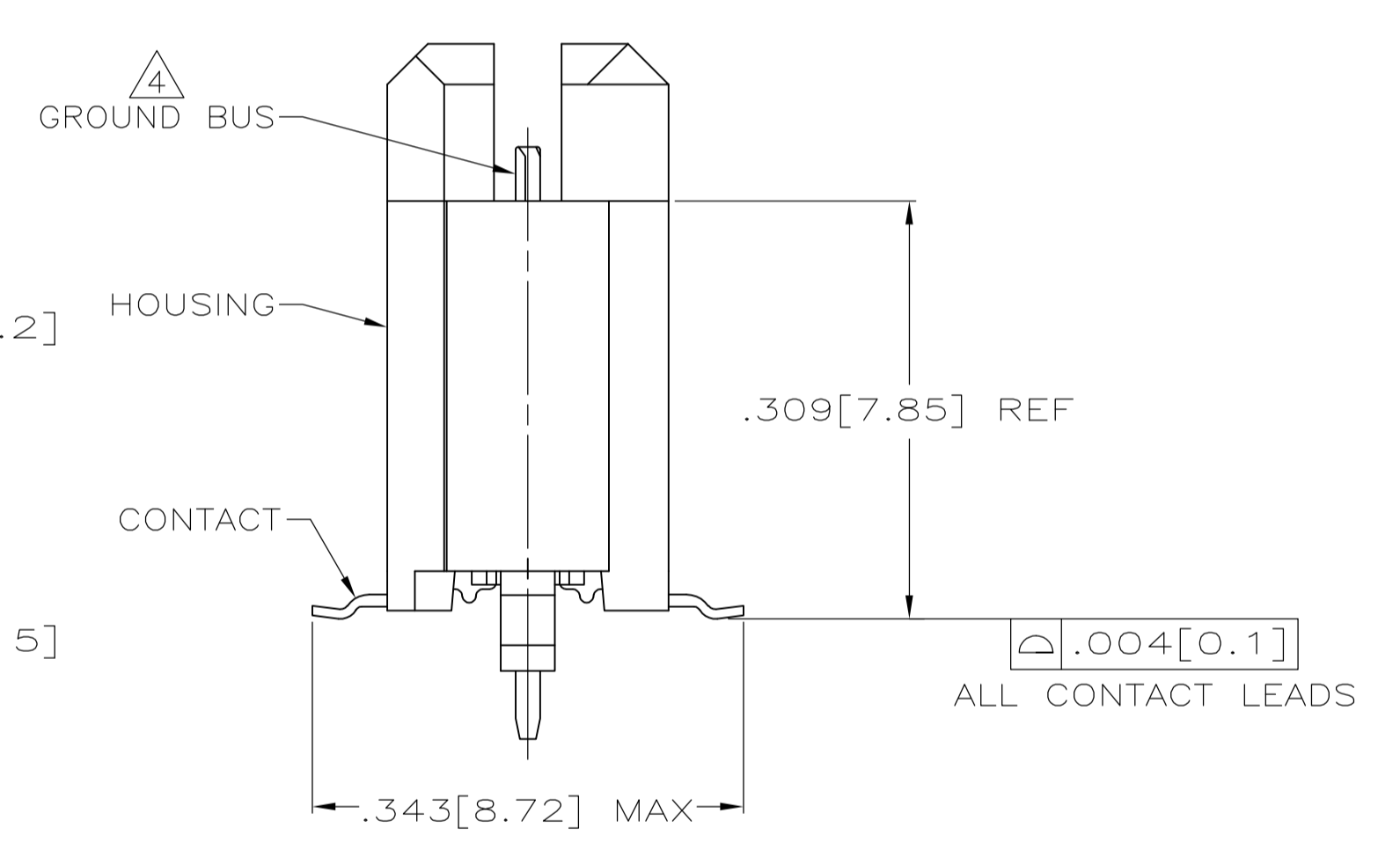
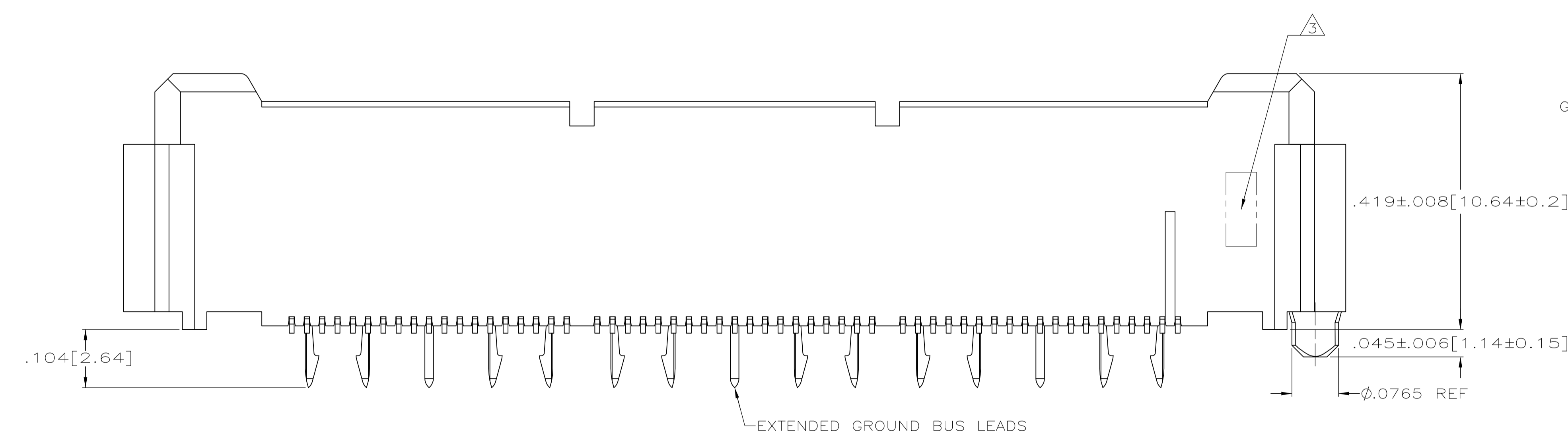


LOC		DIST		REVISIONS				
AD		47		REV	DESCRIPTION	DATE	BY	APPV
B1				REVISED PER	ECO-12-007590	23JUL12	KH	MH



- 1 HOUSING: LIQUID CRYSTAL POLYMER, COLOR BLACK.
CONTACTS: HIGH RELIABILITY COPPER ALLOY.
GROUND BUSSES: BRASS, UNS C26000
- 2 CONTACTS & GROUND BUSES: NICKEL UNDERPLATE ALL OVER, MATING SURFACE PLATED TO MEET LEVEL 2 PERFORMANCE REQUIREMENTS OF TE PRODUCT SPECIFICATION 108-1422, SOLDER TAILS PLATED MATTE TIN.
- 3 DATE CODE MARKED IN AREA INDICATED ON SAME SIDE AS POSITION #1.
- 4 ONE GROUND BUS WITH 5 TAILS PER EACH MODULE.
- 5 TOLERANCE ARE NON-ACCUMULATIVE.
- 6 FOR SLIP-FIT APPLICATIONS, ORIENTATION HOLE TO BE $\phi .079 \pm .001 [2.00 \pm 0.03]$.
- 7 OBSOLETE



RECOMMENDED PC BOARD LAYOUT (VIEWED FROM CONNECTOR SIDE)

3.000 [76.2]	6	3.450 [87.63]	3.898 [99]	4.000 [101.6]	266	5767087-7
2.500 [63.5]	5	2.950 [74.93]	3.398 [86.31]	3.500 [88.9]	228	5767087-6
2.000 [50.8]	4	2.450 [62.23]	2.898 [73.61]	3.000 [76.2]	190	5767087-5
1.500 [38.1]	3	1.950 [49.53]	2.398 [60.91]	2.500 [63.5]	152	5767087-4
1.000 [25.4]	2	1.450 [36.83]	1.898 [48.21]	2.000 [50.8]	114	5767087-3
.500 [12.7]	1	.950 [24.13]	1.398 [35.51]	1.500 [38.1]	76	5767087-2
.000 [0]	0	.450 [11.43]	.898 [22.81]	1.000 [25.4]	38	5767087-1
E	D	C	B	A	NO OF POS	PART NUMBER

THIS DRAWING IS A CONTROLLED DOCUMENT.

DIMENSIONS: INCHES

TOLERANCES UNLESS OTHERWISE SPECIFIED:

0. PLC	± -
1. PLC	± -
2. PLC	± -
3. PLC	± .005(0.13)
4. PLC	± -
ANGLES	± -

MATERIAL: 1 FINISH: 2

APPROVED: G. ATTADIA (26 OCT 04), D. DIXON (26 OCT 04)

PRODUCT SPEC: 108-1422

APPLICATION SPEC: 114-11004

WEIGHT: -

CUSTOMER DRAWING

SCALE: 8:1 SHEET: 1 OF 1 REV: B1

STE TE Connectivity

NAME: PLUG ASSEMBLY, .430 [10.92] VERTICAL, GULL WING LEADS, .025 [0.64] CENTER LINE, MICTOR

SIZE: A1

DRAWING NO: 00779

PART NUMBER: 5767087