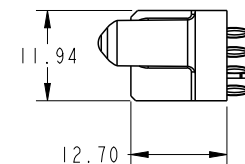
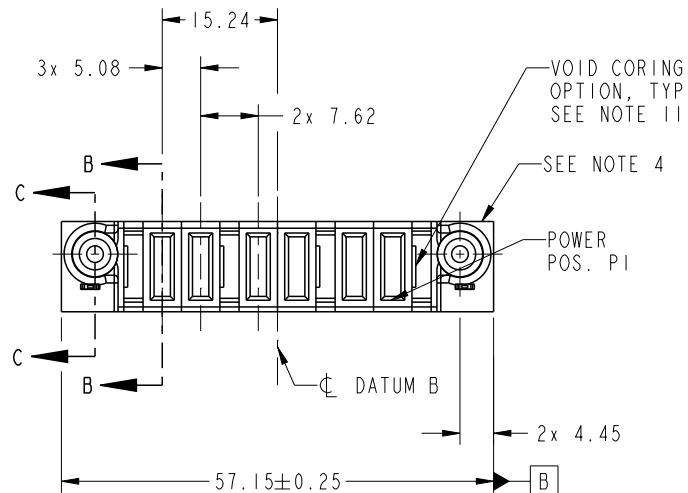


PRODUCT NO. 51940-575-- NOTE: 3	POWER							
	E2	P6	P5	P4	P3	P2	P1	E1
		PF	PF	PC	PC	PF	PF	

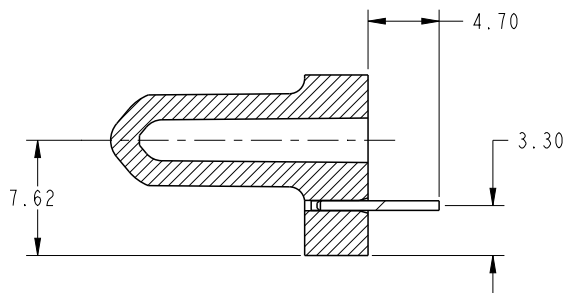
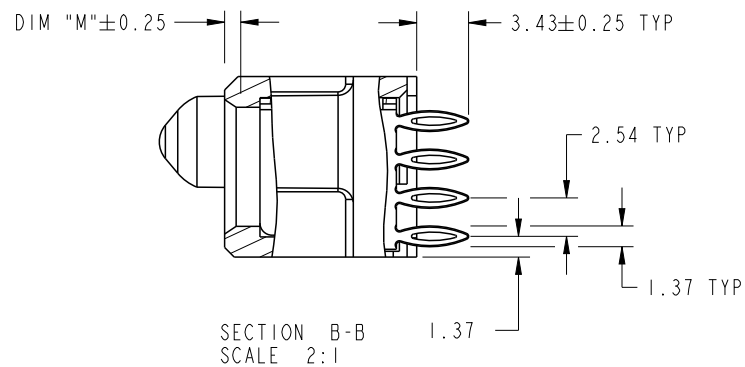


CODE	DIM "M" MATING LENGTH	CONTACT TYPE
PF	[2.34]	POWER
PC	[1.07]	POWER
HA	[N/A]	HOLD-DOWN

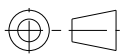


spec ref	*	dr	De-Ming Lu	2015/05/27	projection 	MM ←→	size	A4	scale	1:1
tolerance std	TOLERANCES UNLESS OTHERWISE SPECIFIED	eng	De-Ming Lu	2015/06/03			ecn no	-		
SEE NOTE		chr	Fancy Zhang	2015/06/03			rel level	Released		
surface	linear	0.X	±0.5	 title 6P VERTICAL PRESS-FIT RECEPT cat. no. *	product family PwrBlade dwg no 51940-575 rev A					
		0.XX	±0.25							
	angular	0°	±2°							
		www.fci.com		Product - Customer Drw		sheet 1 of 4				

PRODUCT NUMBER

51940-575__
NOTE: 3

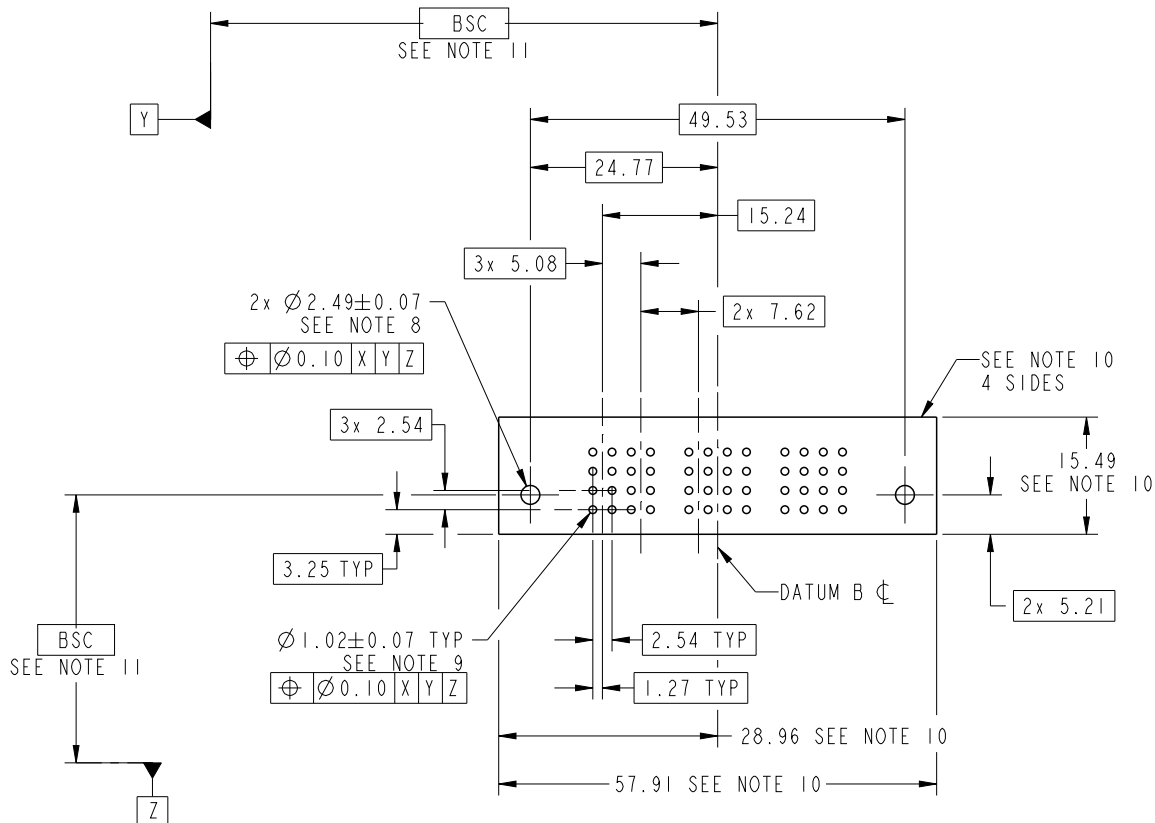


SECTION C-C
SCALE 2:1

dr	De-Ming Lu	2015/05/27	projection 	MM 	size	A4	scale	1:1
eng	De-Ming Lu	2015/06/03			ecn no	-		
chr	Fancy Zhang	2015/06/03			rel level	Released		
appr	Pei-Ming Zheng	2015/06/03	product family	PwrBlade	rev	A		
		title 6P VERTICAL PRESS-FIT RECEPT	dwg no 51940-575	www.fci.com	cat. no. *	Product - Customer Drw	sheet 2 of 4	

PRODUCT NUMBER

51940-575__
NOTE: 3



RECOMMENDED PCB LAYOUT

dr	De-Ming Lu	2015/05/27	projection 	MM 	size	A4	scale	1:1
eng	De-Ming Lu	2015/06/03			ecn no	-		
chr	Fancy Zhang	2015/06/03			rel level	Released		
appr	Pei-Ming Zheng	2015/06/03	product family	PwrBlade	rev	A		
		title 6P VERTICAL PRESS-FIT RECEPT	dwg no 51940-575	www.fci.com	cat. no. *	Product - Customer Drw	sheet 3 of 4	



PRODUCT NUMBER

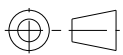
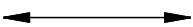

51940-575__
NOTE: 3

NOTES:

1. DIMENSIONS AND TOLERANCES ARE IN ACCORDANCE WITH ASME Y14.5M, 1994 UNLESS OTHERWISE SPECIFIED.

CONNECTOR NOTES:

- 2 HOUSING MATERIAL: UL 94 V-0 GLASS FILLED HIGH-TEMP THERMOPLASTIC
POWER CONTACT MATERIAL: COPPER ALLOY
SIGNAL PIN MATERIAL: COPPER ALLOY
 - 3. SEE ITEM 7 & 8 IN PRINT 10064183 FOR PLATING SPEC OF 51940-575 AND 51940-575LF RESPECTIVELY.
 - 4 MANUFACTURER'S NAME, DATE CODE AND OPTIONAL P/N TO APPEAR ON THIS SURFACE. THE MARK CAN BE OMITTED IF THERE IS NOT ENOUGH SPACE ON THIS SURFACE.
 - 5. PRODUCT SPECIFICATION GS-12-149.
APPLICATION SPECIFICATION BUS-20-067.
 - 6. PACKAGED IN TRAYS.
- PCB NOTES:
- 7. ALL HOLE DIAMETERS ARE FINISHED HOLE SIZE.
 - 8 MOUNTING HOLES, WHERE APPLICABLE, ARE UNPLATED.
 - 9 $\varnothing 1.151 \pm 0.025$ DRILLED HOLES PLATED WITH
0.008 MIN SnPb OR Sn OVER 0.03
TO 0.08 Cu PLATING TO ACHIEVE
 $\varnothing 1.02 \pm 0.07$ HOLE.
 - 10 CONNECTOR KEEP-OUT ZONE.
 - 11. THE VOID CORING IN BETWEEN POWER MODULES, SIGNAL MODULES AND END MODULES ARE OPTIONAL AND THE SHAPE MAY BE DIFFERENT FOR OPTIMIZE THE MOLDING PROCESS. THE VOID CORING WILL NOT EFFECT TO PRODUCT FUNCTION.
 - 12. DATUM AND BASIC DIMENIONS ARE ESTABLISHED BY CUSTOMER.

dr	De-Ming Lu	2015/05/27	projection 	MM 	size	A4	scale	1:1
eng	De-Ming Lu	2015/06/03			ecn no	-		
chr	Fancy Zhang	2015/06/03			product family	PwrBlade	rel level	Released
appr	Pei-Ming Zheng	2015/06/03			title 6P VERTICAL PRESS-FIT RECEPT	dwg no 51940-575	rev A	
www.fci.com		cat. no.	*	Product - Customer Drw		sheet 4 of 4		