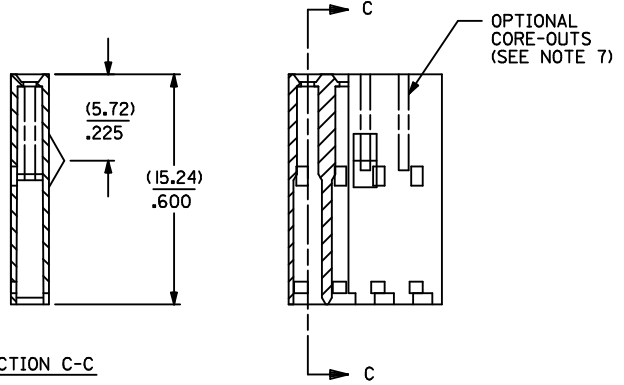
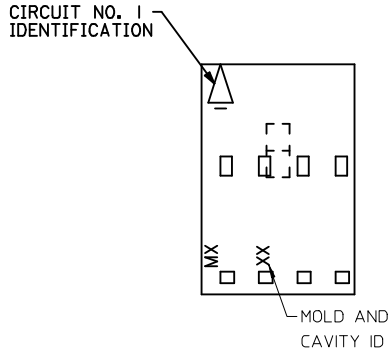
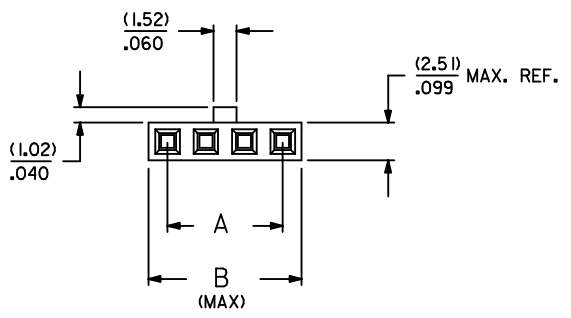


- NOTES:
1. MATERIAL GLASS FILLED POLYESTER, UL94V-0; COLOR: BLACK.
  2. HOUSING MAY BE USED WITH TERMINAL NUMBERS 70058, 71851, AND 70021.
  3. REFER TO CHART FOR AVAILABLE CIRCUIT SIZES.
  4. HOUSINGS TO BE USED WITH (0.64)/.025 SQUARE OR ROUND PINS.
  5. HOUSING ARE STACKABLE END-TO-END ON (2.54)/.100 CENTERS.
  6. REFER TO MOLEX PRODUCT SPECIFICATION(S): PS-70400, PS-70058, PS-71851, PS-70021, AND MOLEX APPLICATION SPECIFICATION SDES-70400.
  7. PARTS MAY OR MAY NOT BE SUPPLIED WITH EXTERIOR CORE-OUT CONFIGURATION. REFER TO MOLEX DRAWING NUMBER SD-70066-\*\*\*\* FOR OPTIONAL HOUSING DETAILS.
  8. PACKAGE PER PK-70066-100.

OPTION "E"



CKT. SIZE	EDP. NO.	ENG. NO.	A	B
2		70066-0141	(2.54)/.100	(5.05)/.199
3		70066-0142	(5.08)/.200	(7.59)/.299
4		70066-0143	(7.62)/.300	(10.13)/.399
5		70066-0144	(10.16)/.400	(12.67)/.499
6		70066-0145	(12.70)/.500	(15.21)/.599
7		70066-0146	(15.24)/.600	(17.75)/.699
8		70066-0147	(17.78)/.700	(20.29)/.799
9		70066-0148	(20.32)/.800	(22.83)/.899
10	50-57-9605	70066-0149	(22.86)/.900	(25.37)/.999
11		70066-0150	(25.40)/1.000	(27.91)/1.099
12		70066-0151	(27.94)/1.100	(30.45)/1.199
13		70066-0152	(30.48)/1.200	(32.99)/1.299
14		70066-0153	(33.02)/1.300	(35.53)/1.399
15		70066-0154	(35.56)/1.400	(38.07)/1.499
16		70066-0155	(38.10)/1.500	(40.61)/1.599
17		70066-0156	(40.64)/1.600	(43.15)/1.699
18		70066-0157	(43.18)/1.700	(45.69)/1.799
19		70066-0158	(45.72)/1.800	(48.23)/1.899
20		70066-0159	(48.26)/1.900	(50.77)/1.999
21		70066-0160	(50.80)/2.000	(53.31)/2.099
22		70066-0161	(53.34)/2.100	(55.85)/2.199
23		70066-0162	(55.88)/2.200	(58.39)/2.299
24		70066-0163	(58.42)/2.300	(60.93)/2.399
25		70066-0164	(60.96)/2.400	(63.47)/2.499

LOCATE MOLD & CAVITY ID EC NO: UCP2014-4216 DRWN:RHIPPLE 2014/04/11 CHKD:DMORGAN 2014/04/11 APPR:SMILLER 2014/04/28	QUALITY SYMBOLS ▽=0 ▽=0 ▽=0	GENERAL TOLERANCES (UNLESS SPECIFIED)		DIMENSION STYLE MM/IN		SCALE 4:1	DESIGN UNITS INCH	THIRD ANGLE PROJECTION	
		4 PLACES ± ---	± ---	DRAWN BY	DATE	TITLE HOUSING CONNECTOR (2.54)/.100 GRID OPT. E STACKABLE SINGLE ROW <b>molex</b> DOCUMENT NO. SD-70066-0141-0164 SHEET NO. 1 OF 1			
		3 PLACES ± ---	± .010	CHECKED BY	DATE				
		2 PLACES ± 0.25	± .015	WZ	1986/03/28				
1 PLACE ± 0.38	± ---	APPROVED BY	DATE						
0 PLACE ±	±	SMILLER	2012/02/13	MATERIAL NO. SEE CHART					
DRAFT WHERE APPLICABLE MUST REMAIN WITHIN DIMENSIONS				SIZE C	THIS DRAWING CONTAINS INFORMATION THAT IS PROPRIETARY TO MOLEX INCORPORATED AND SHOULD NOT BE USED WITHOUT WRITTEN PERMISSION				