

• 1N3821AUR-1 thru 1N3828AUR-1 AVAILABLE IN JAN, JANTX AND JAN-TXV

PER MIL-PRF-19500/115

- LEADLESS PACKAGE FOR SURFACE MOUNT
- DOUBLE PLUG CONSTRUCTION

1N3821AUR-1  
thru  
1N3828AUR-1  
and  
CDLL3821 thru CDLL 3828A

### MAXIMUM RATINGS

Operating Temperature: -65°C to +175°C

Storage Temperature: -65°C to +175°C

DC Power Dissipation: 1 watt @  $T_{EC} = 125^{\circ}C$

Power Derating: 20 mW / °C above  $T_{EC} = 125^{\circ}C$

Forward Voltage @ 200mA = 1.2 volts maximum

### ELECTRICAL CHARACTERISTICS @ 25°C

CDI TYPE NUMBER  (NOTE 1)	NOMINAL ZENER VOLTAGE $V_Z @ 1Z_T$ (NOTE 3)	ZENER TEST CURRENT $1Z_T$	MAXIMUM ZENER IMPEDANCE		MAX. DC ZENER CURRENT $1Z_M$	MAX. REVERSE LEAKAGE CURRENT $I_R @ V_R$	
			$Z_{ZT} @ 1Z_T$	$Z_{ZK} @ 1Z_K=1mA$ (NOTE 2)			
			OHMS	OHMS		$\mu A$	VOLTS
CDLL3821	3.3	76	10	400	276	100	1
CDLL3821A	3.3	76	10	400	276	100	1
CDLL3822	3.6	69	10	400	252	75	1
CDLL3822A	3.6	69	10	400	252	75	1
CDLL3823	3.9	64	9	400	238	25	1
CDLL3823A	3.9	64	9	400	238	25	1
CDLL3824	4.3	58	9	400	213	5	1
CDLL3824A	4.3	58	9	400	213	5	1
CDLL3825	4.7	53	8	500	194	5	1
CDLL3825A	4.7	53	8	500	194	5	1
CDLL3826	5.1	49	7	550	178	3	1
CDLL3826A	5.1	49	7	550	178	3	1
CDLL3827	5.6	45	5	600	162	3	2
CDLL3827A	5.6	45	5	600	162	3	2
CDLL3828	6.2	41	2	700	146	3	3
CDLL3828A	6.2	41	2	700	146	3	3

**NOTE 1** No suffix =  $\pm 10\%$  tolerance on nominal Zener voltage, suffix "A" signifies  $\pm 5\%$ , "C" suffix signifies  $\pm 2\%$  and "D" suffix signifies  $\pm 1\%$ .

**NOTE 2** Zener impedance is derived by superimposing on  $1Z_T$  A 60Hz rms a.c. current equal to 10% of  $1Z_T$ .

**NOTE 3** Zener voltage is measured with the device junction in thermal equilibrium at an ambient temperature of  $25^{\circ}C \pm 3^{\circ}C$ .

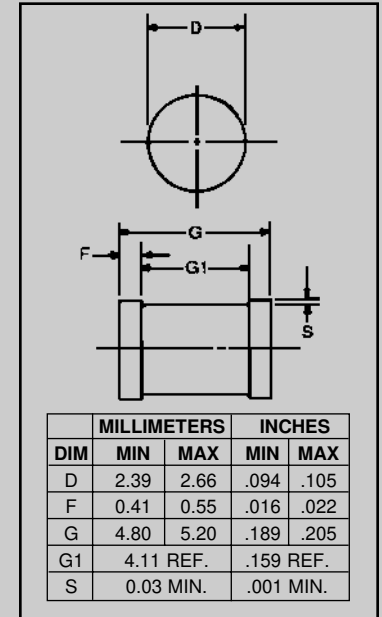


FIGURE 1

### DESIGN DATA

**CASE:** DO-213AB, Hermetically sealed glass case. (MELF, LL41)

**LEAD FINISH:** Tin / Lead

**THERMAL RESISTANCE:** ( $R_{\theta JEC}$ ): 50 °C/W maximum at L = 0 inch

**THERMAL IMPEDANCE:** ( $Z_{\theta JX}$ ): 15 °C/W maximum

**POLARITY:** Diode to be operated with the banded (cathode) end positive.

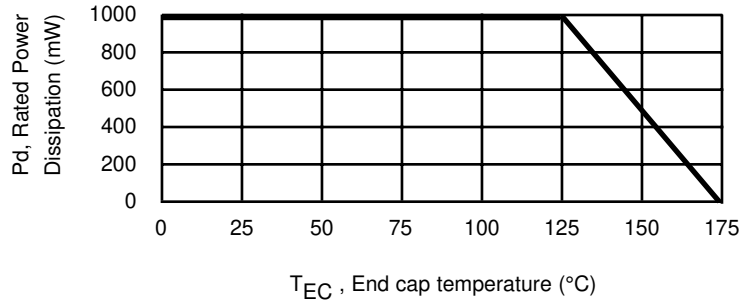
**MOUNTING POSITION:** Any.

**MOUNTING SURFACE SELECTION:**  
The Axial Coefficient of Expansion (COE) Of this Device is Approximately +6PPM/°C. The COE of the Mounting Surface System Should Be Selected To Provide A Suitable Match With This Device.



# 1N3821AUR-1 thru 1N3828AUR-1 and CDLL3821A thru CDLL3828A

FIGURE 2



POWER DERATING CURVE

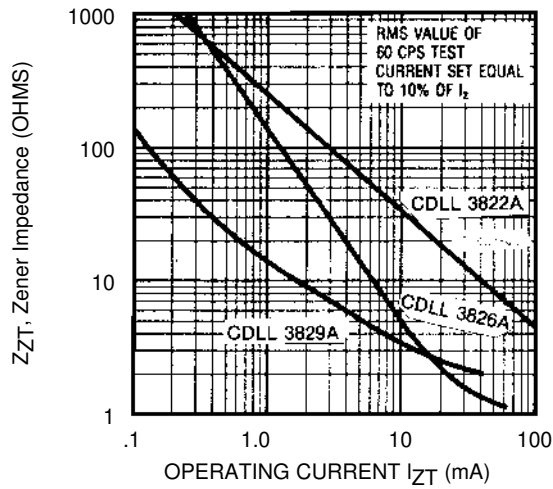


FIGURE 3  
ZENER IMPEDANCE  
VS.  
OPERATING CURRENT