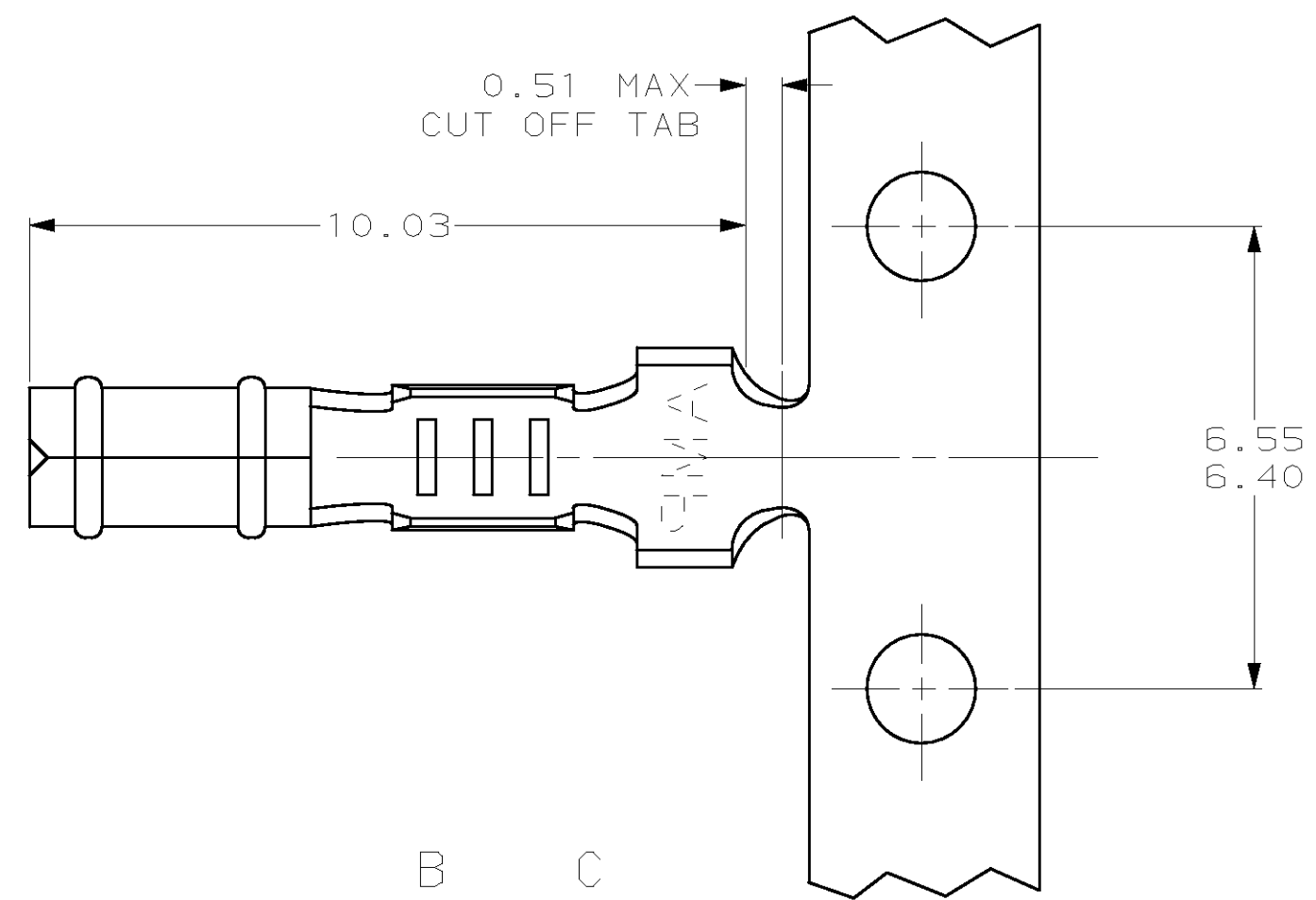


THIS DRAWING IS UNPUBLISHED. RELEASED FOR PUBLICATION
 (C) COPYRIGHT 19 BY AMP INCORPORATED. ALL RIGHTS RESERVED.

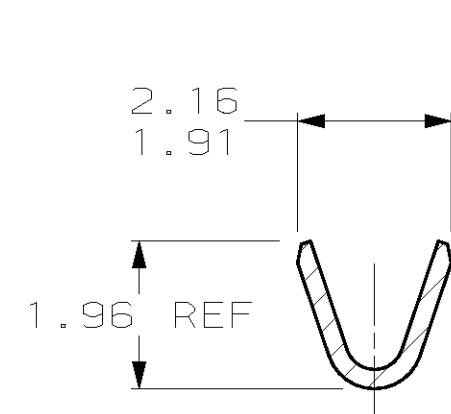
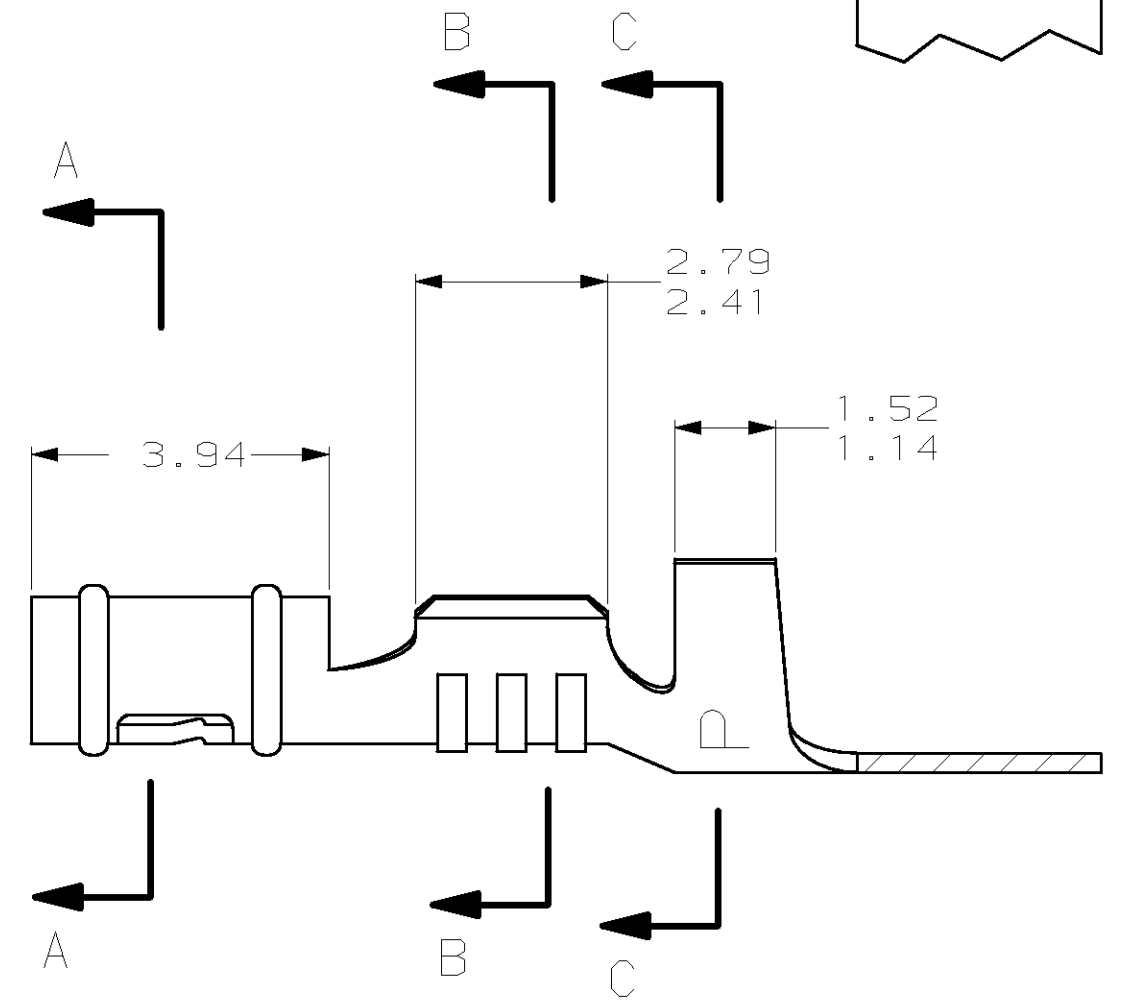
LOC		DIST		REVISIONS			
P	LTR	DESCRIPTION	DATE	DWN	APVD		
CM	52	F	REV & REDWN PER EC 0L30-0146-97	5-19-97	TB	RS	



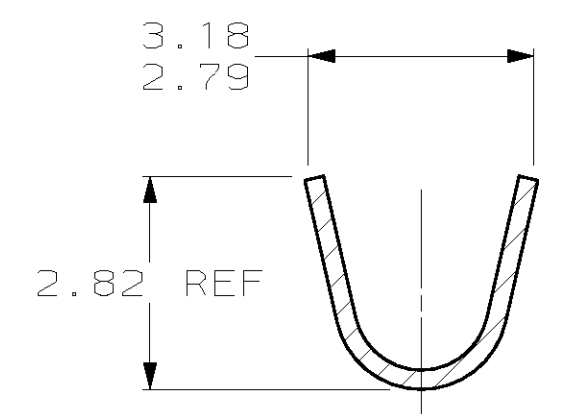
1. WIRE RANGE: 0.2 - 0.6 MM² (24 - 20 AWG)
2. INSULATION RANGE: 1.52 - 2.29
3. 0.00203 MIN MATTE TIN PLATING OVER ALL.



SECTION A-A



SECTION B-B



SECTION C-C

0.25 BE CU	60940-2
PRE-TIN	60940-1
FINISH	MATERIAL PART NUMBER

MM	IN	MM	IN	MM	IN	MM	IN
1.359	.0535	2.16	.085	3.94	.155	-	-
1.14	.045	1.96	.077	3.18	.125	-	-
0.51	.020	1.91	.075	2.82	.111	-	-
0.25	.010	1.52	.060	2.79	.110	10.03	.395
0.13	.005	1.486	.0585	2.41	.095	6.55	.258
0.00203	.000080	1.47	.058	2.29	.090	6.40	.252
MM	IN	MM	IN	MM	IN	MM	IN

CONVERSION TABLE



THIS DRAWING IS A CONTROLLED DOCUMENT.

DIMENSIONS: mm	TOLERANCES UNLESS OTHERWISE SPECIFIED:	DWN T. BECK 5-19-97	AMP AMP Incorporated Harrisburg, PA 17105-3608			
	0 PLC ±-	CHK R. SWING 5-19-97				
	1 PLC ±-	APVD A. BEDDICK 8-08-97				
	2 PLC ±0.13	NAME RECEPTACLE, .058 DIAMETER, 24-20 AWG, .060-.090 INSULATION, P.C. CONTACT				
	3 PLC ±-	PRODUCT SPEC 108-1025				
4 PLC ±-	APPLICATION SPEC 114-1008	SIZE A2	CAGE CODE 00779	DRAWING NO. 60940	RESTRICTED TO	
MATERIAL SEE TABLE	FINISH SEE TABLE	WEIGHT -	CUSTOMER DRAWING	SCALE 10:1	SHEET 1 OF 1	REV F