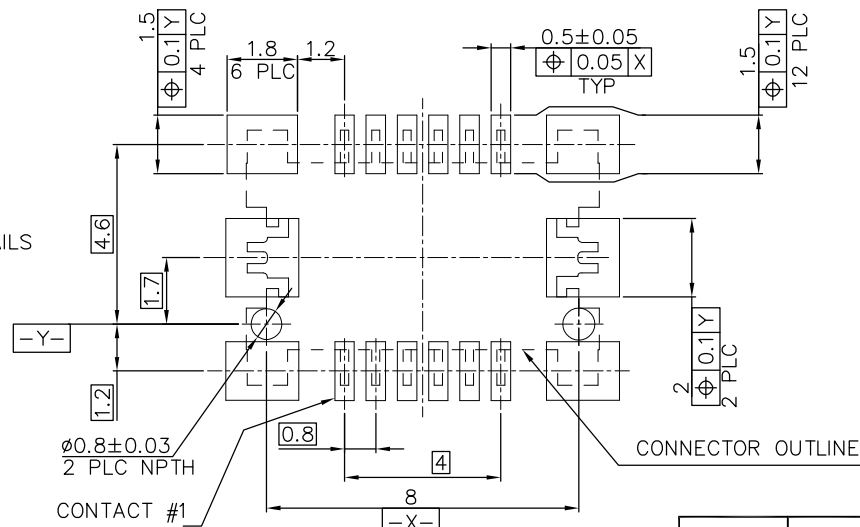
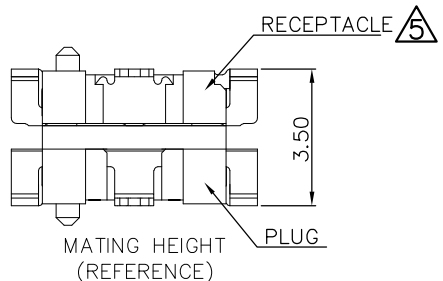
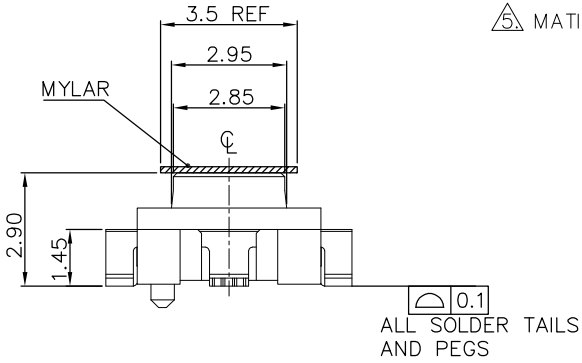
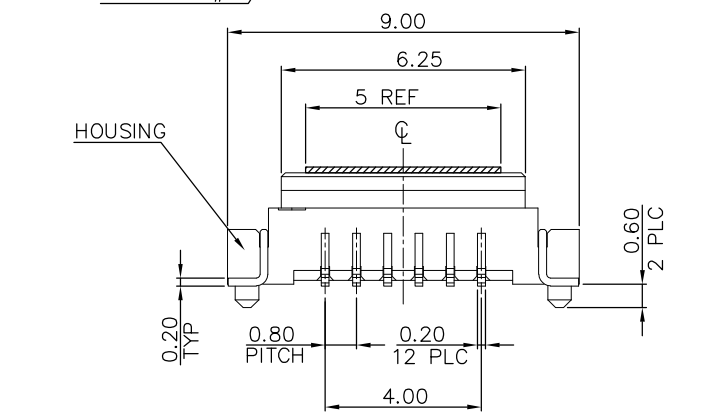
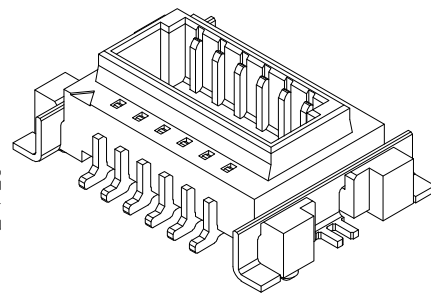
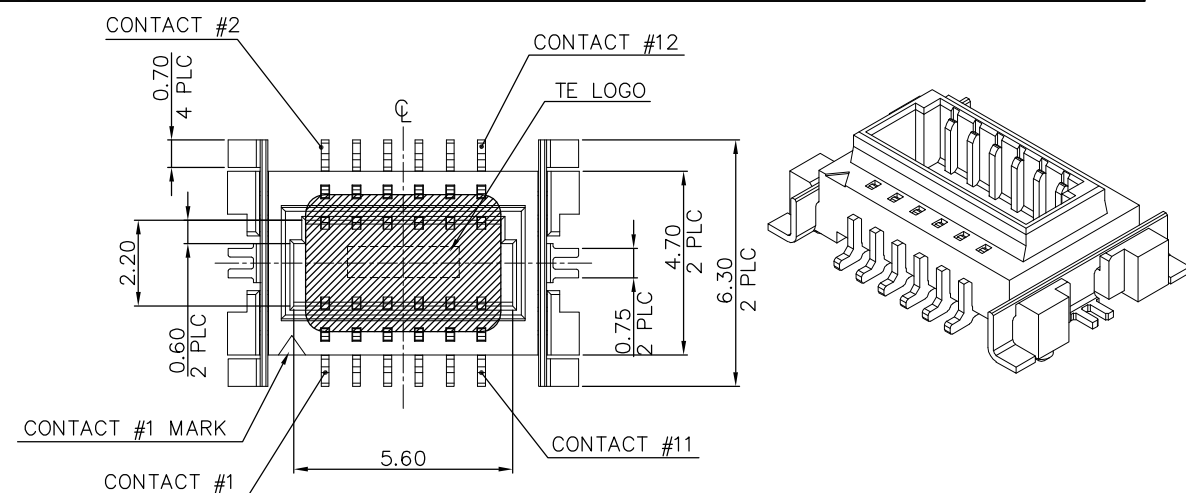


LOC	DIST	REVISIONS				
P	LTR	DESCRIPTION	DATE	DWN	APVD	
DW	-					
	D	ECR-10-025507	13DEC10	AW	WK	
	E	ECO-17-010402	31JULY17	B.J	S.Y	

NOTES:

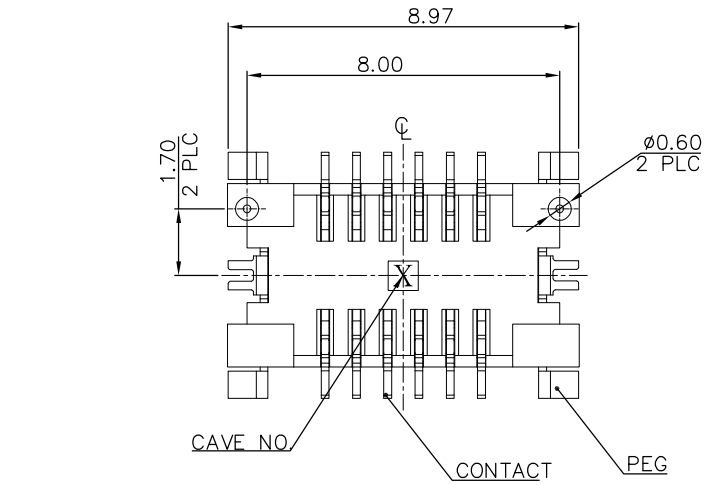
- MATERIAL:  
 HOUSING: PA6T WITH 30% GF, UL94 V-0, NATURAL COLOR.  
 CONTACTS: PHOSPHOR BRONZE.  
 PEGS: BRASS.  
 MYLAR: POLYSTYRENES, ORANGE COLOR.
- FINISH:  
 CONTACTS: GOLD FLASH OVER 1.27µm [50µ"] MIN. NICKEL ON ENTIRE CONTACT.  
 PEGS: 3.05µm [120µ"] MIN. MATTE-TIN OVER 1.27µm [50µ"] MIN. NICKEL.
- REFLOW SOLDER CAPABLE TO 260°C PER TEC-109-201, CONDITION B.
- SUBSTANCE RESTRICTIONS FOR LOW HALOGEN (BY WEIGHT):  
 BROMINE (Br) ≤ 900 PPM (0.09%)  
 CHLORINE (Cl) ≤ 900 PPM (0.09%)  
 TOTAL CONCENTRATION OF CHLORINE (Cl) + BROMINE (Br) ≤ 1500 PPM (0.15%)

⚠ MATING RECEPTACLE PART NUMBER: 1775013-1.



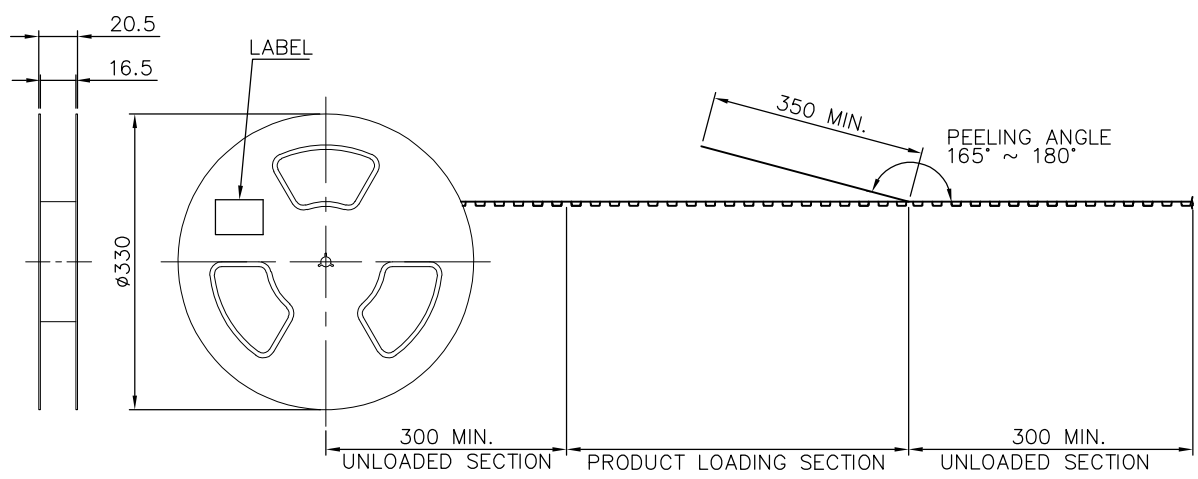
TOLERANCE: ±0.05  
 RECOMMENDED PCB LAYOUT  
 (TOP VIEW)

OBSOLETE	1-1734054-6
	1-1734054-2
	PART NUMBER



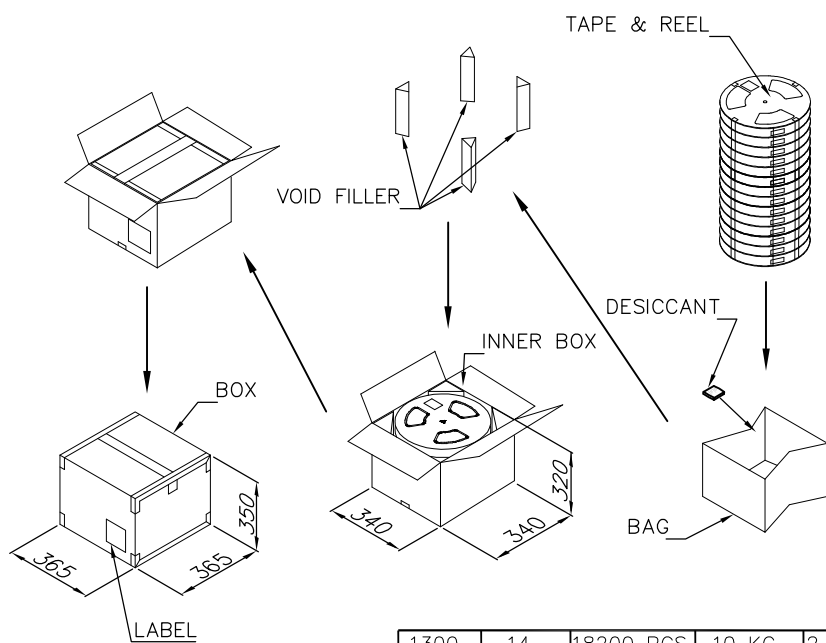
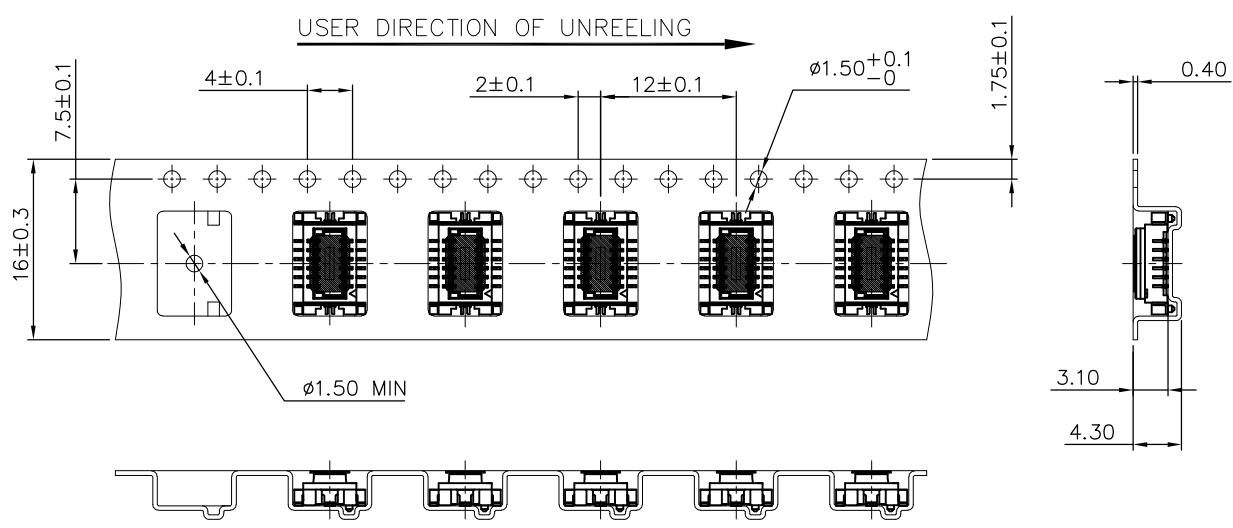
THIS DRAWING IS A CONTROLLED DOCUMENT.		DWN A. WU 13DEC2010	Tyco Electronics Corporation Tyco Electronics Taipei, Taiwan	
DIMENSIONS: MM		CHK S. CHIEN 13DEC2010	NAME	
TOLERANCES UNLESS OTHERWISE SPECIFIED:		APVD W. KODAMA 13DEC2010	PRODUCT SPEC 108-57849	
0 PLC ± 0.5		APPLICATION SPEC		
1 PLC ± 0.3		SIZE		
2 PLC ± 0.2		CAGE CODE		
3 PLC ± 0.15		DRAWING NO		
4 PLC ± -		RESTRICTED TO		
ANGLES ± 3'		WEIGHT 0.16 GRAMS		
MATERIAL SEE NOTE		FINISH SEE NOTE		
		CUSTOMER DRAWING		
		SCALE -		SHEET 1 OF 2
		REV E		

LOC	DIST	REVISIONS				
P	LTR	DESCRIPTION	DATE	DWN	APVD	
		SEE SHEET 1.				



NOTES:

- MATERIAL:  
 BOX: FIBREBOARD, CORRUGATED, DOUBLE WALL.  
 COVER TAPE: PET, TRANSPARENT COLOR.  
 CARRIER TAPE: POLYSTYRENES, TRANSPARENT COLOR.  
 REEL: HIPS, BLUE COLOR.  
 BAG: POLYETHYLENES, TRANSPARENT COLOR.
- EACH BAG SHALL BE INCLUDED DESICCANT.
- PEELING STRENGTH: 0.1 ~ 1.3 N (10 ~ 130 GRAMS).
- PEELING SPEED: 300 mm/min.



PCS/TAPE	REELS/BOX	QUANTITY	GROSS WEIGHT	NET WEIGHT
1300	14	18200 PCS	10 KG	2.91 KG

THIS DRAWING IS A CONTROLLED DOCUMENT.		DWN A. WU 13DEC2010	Tyco Electronics Corporation Tyco Electronics Taipei, Taiwan	
DIMENSIONS: MM		CHK S. CHIEN 13DEC2010	NAME	
TOLERANCES UNLESS OTHERWISE SPECIFIED:		APVD W. KODAMA 13DEC2010	0.8 PITCH BOARD-TO-BOARD CONNECTOR, SMT, 12 POSITION, PLUG	
0 PLC ± -		PRODUCT SPEC	SIZE	
1 PLC ± -		APPLICATION SPEC	CAGE CODE	
2 PLC ± -		WEIGHT	DRAWING NO	
3 PLC ± -			RESTRICTED TO	
4 PLC ± -			A300779 C=1734054	
ANGLES ± -			CUSTOMER DRAWING	
FINISH			SCALE - SHEET 2 OF 2 REV E	