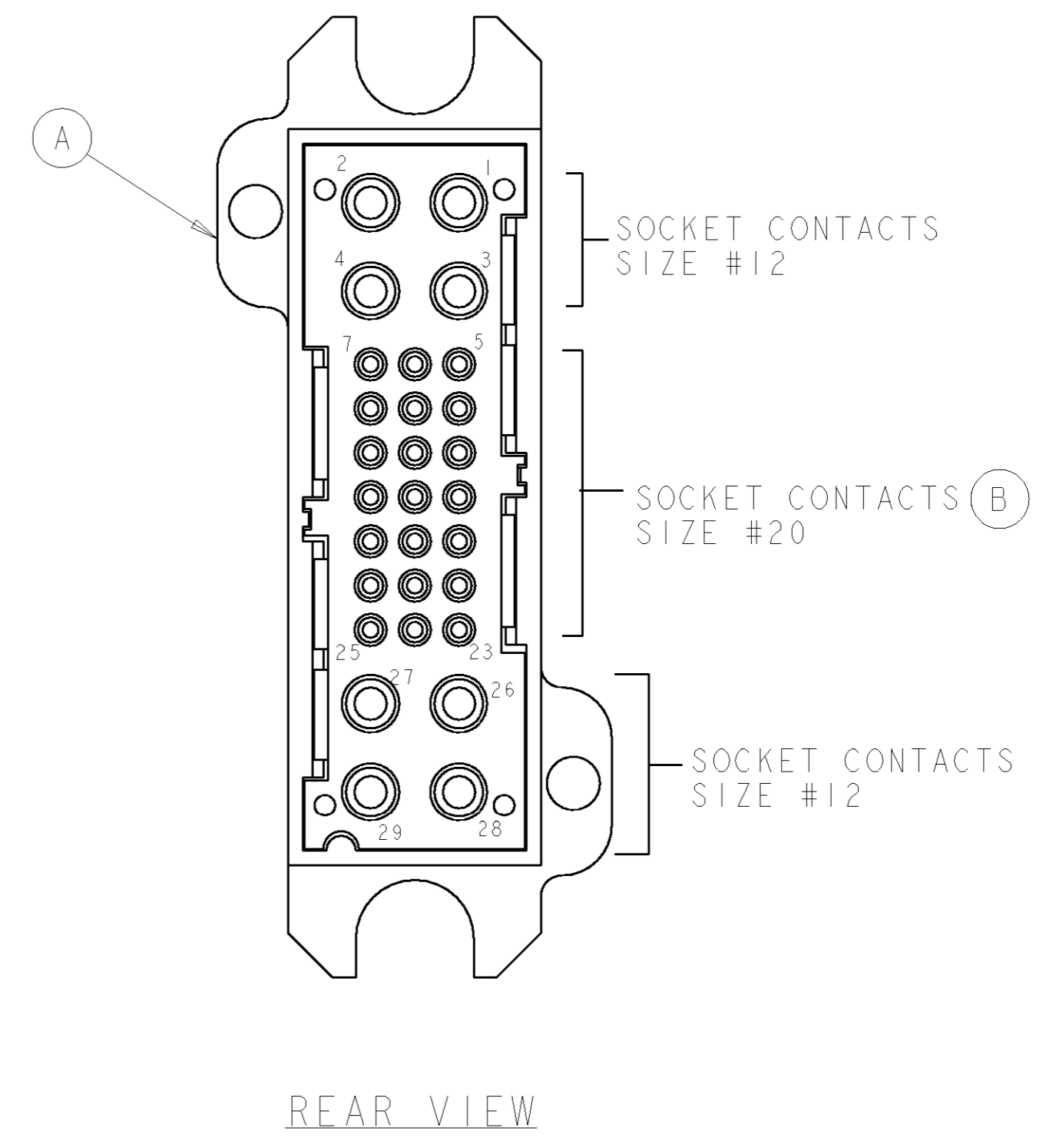
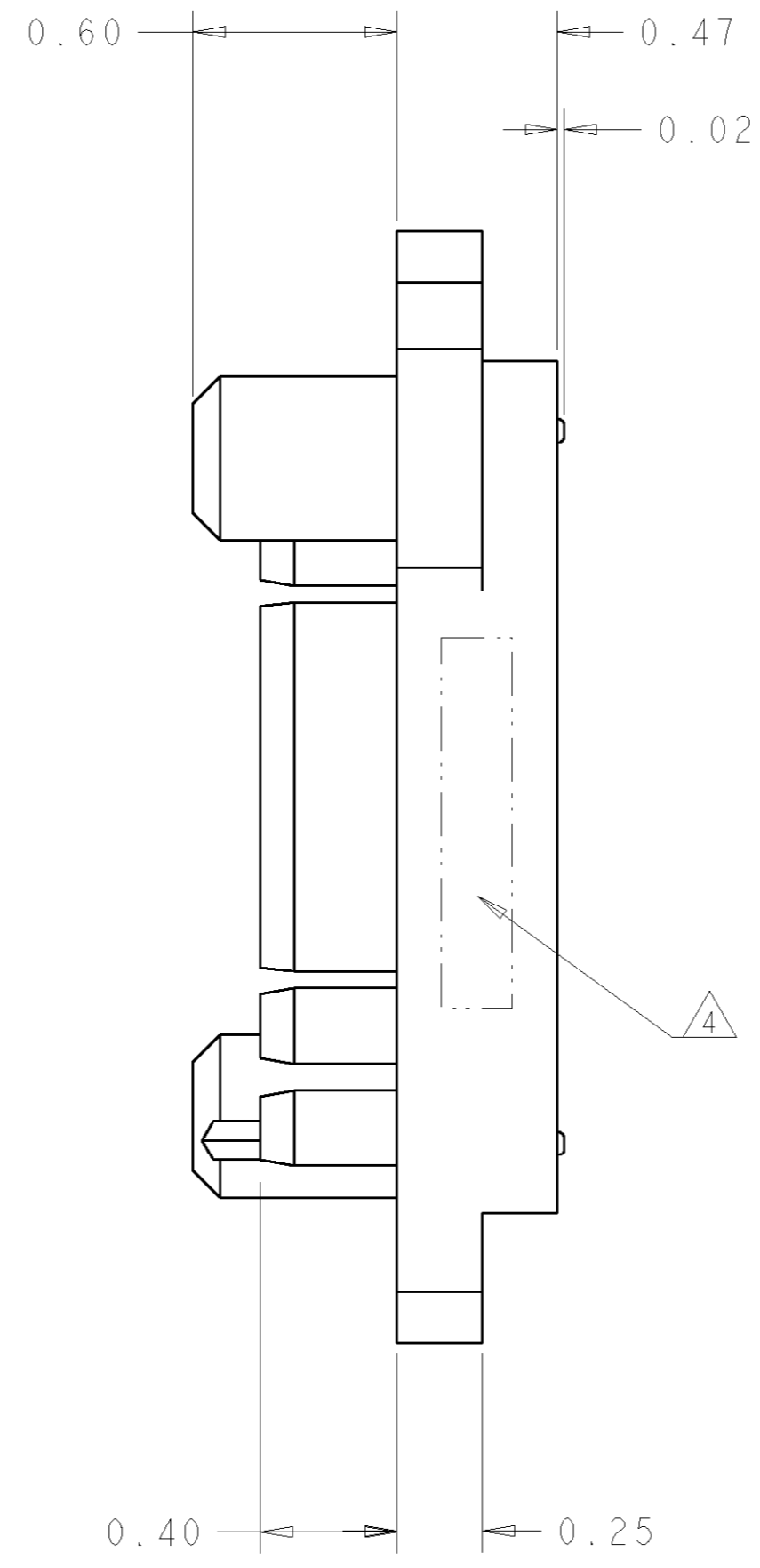
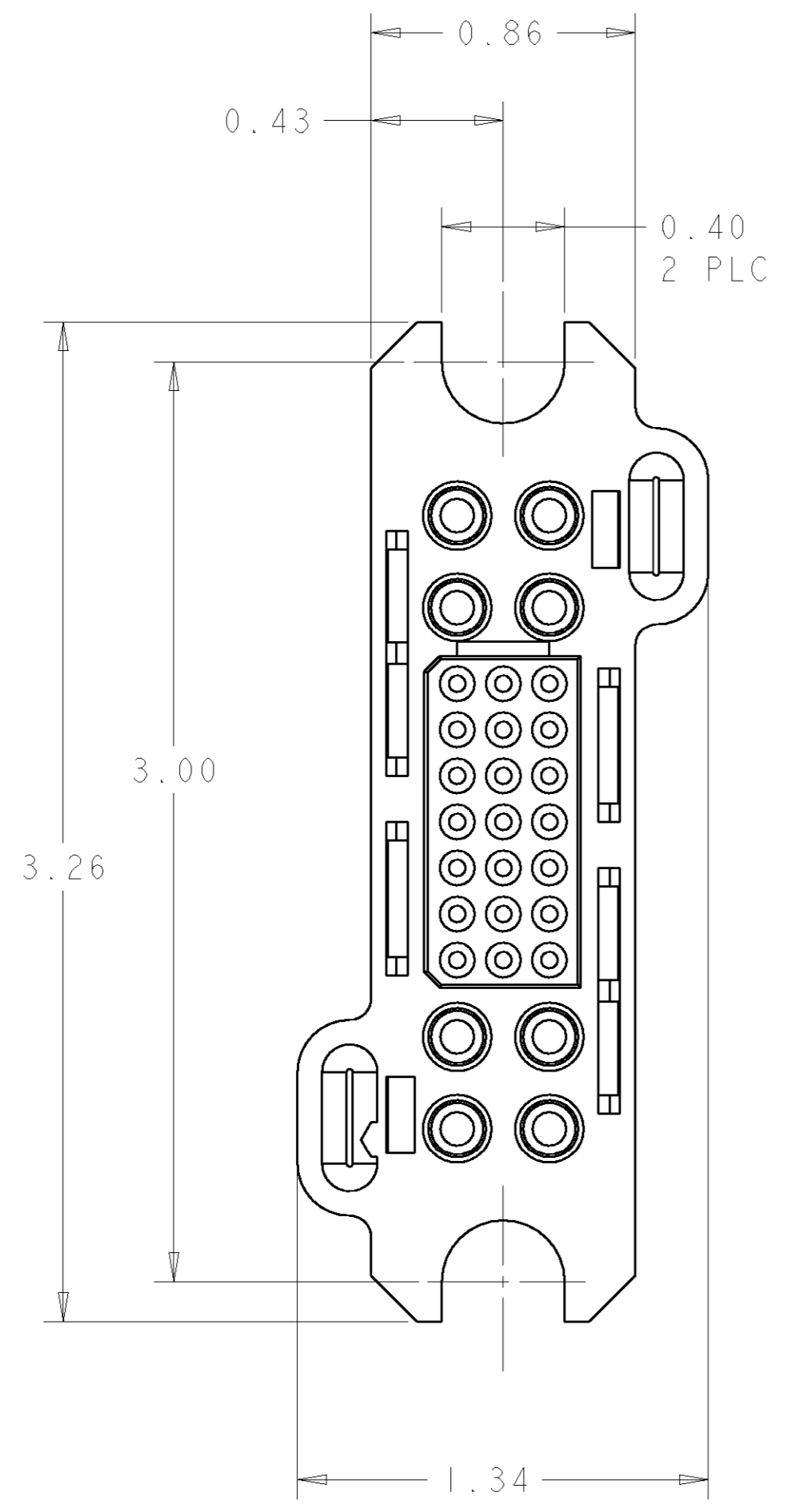


THIS DRAWING IS UNPUBLISHED. RELEASED FOR PUBLICATION 20
 © COPYRIGHT 20 BY TYCO ELECTRONICS CORPORATION. ALL RIGHTS RESERVED.

| LOC | DIST | REVISIONS | | | | | |
|-----|------|-----------|-----|-----------------------|-----------|-----|------|
| GP | 00 | P | LTR | DESCRIPTION | DATE | DWN | APVD |
| | | A | | RELEASED | 09OCT2006 | RG | SF |
| | | B | | REV PER ECO-07-002066 | 29JAN2007 | RG | SF |



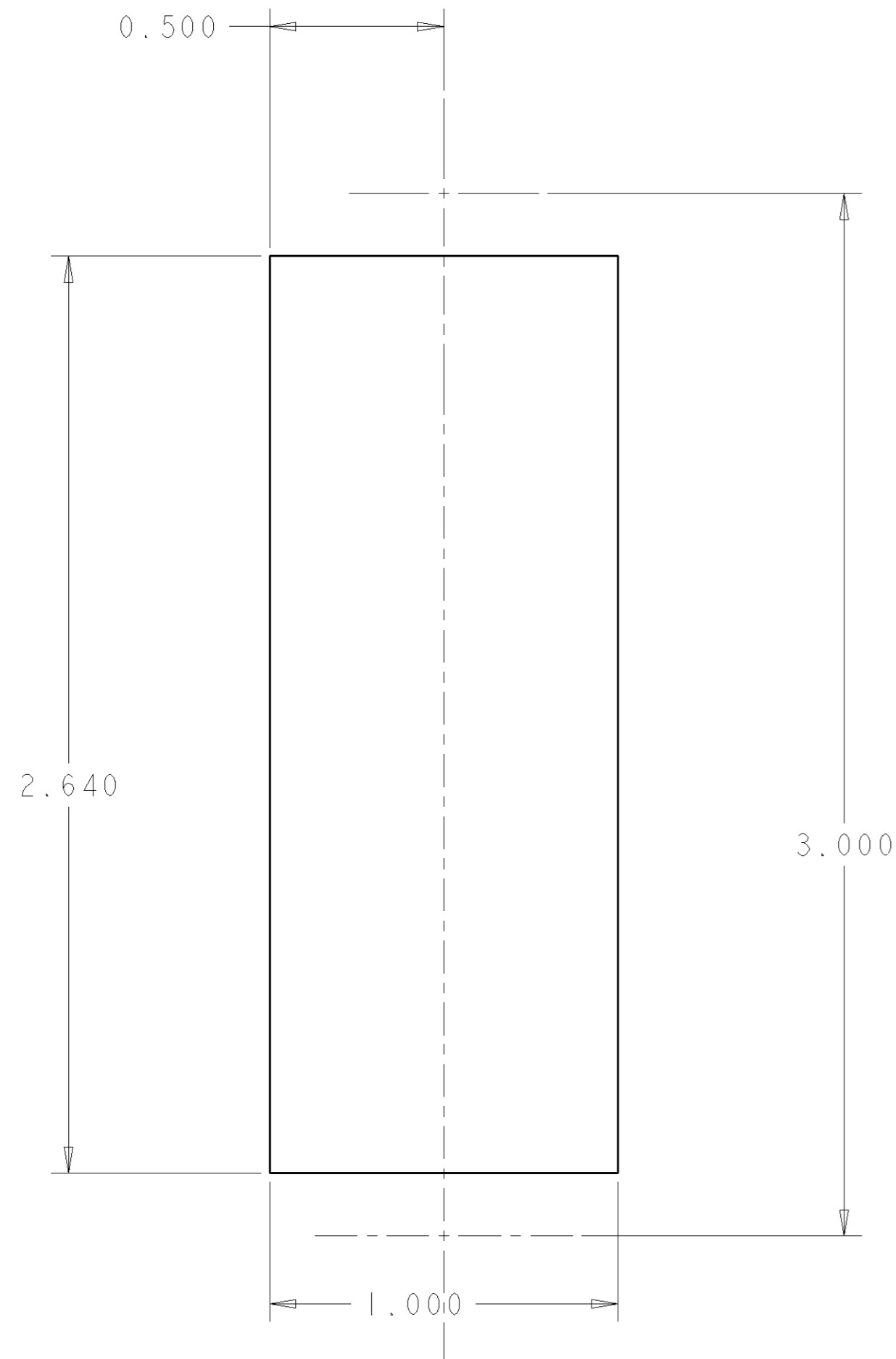
| | |
|-------------|-------------|
| AS SHOWN | 1926245-1 |
| DESCRIPTION | PART NUMBER |

| | | | |
|---|--|----------------------------------|---|
| THIS DRAWING IS A CONTROLLED DOCUMENT FOR TYCO ELECTRONICS CORPORATION. IT IS SUBJECT TO CHANGE AND THE CONTROLLING ENGINEERING ORGANIZATION SHOULD BE CONTACTED FOR THE LATEST REVISION. | | DWN R. GRZYBOWSKI 04OCT06 | Tyco Electronics Harrisburg, PA 17105-3608 |
| DIMENSIONS: INCHES | | CHK S. FLICKINGER 04OCT06 | |
| TOLERANCES UNLESS OTHERWISE SPECIFIED: | | APVD S. FLICKINGER 04OCT06 | NAME CONNECTOR ASSEMBLY SOCKET, CRIMP 75 AMP, LOWER DRAWER |
| 0 PLC ± 1 PLC ± 2 PLC ±.02 3 PLC ±.010 4 PLC ± ANGLES ±.5 FINISH | | PRODUCT SPEC - | SIZE A2 |
| MATERIAL | | APPLICATION SPEC - | CAGE CODE 00779 |
| | | WEIGHT - | DRAWING NO 1926245 |
| | | CUSTOMER DRAWING | RESTRICTED TO - |
| | | SCALE 3:1 | SHEET 1 OF 2 |
| | | | REV B |

ELCON LOWER DRAWER

THIS DRAWING IS UNPUBLISHED. RELEASED FOR PUBLICATION 20
 © COPYRIGHT 20 BY TYCO ELECTRONICS CORPORATION. ALL RIGHTS RESERVED.

| LOC | DIST | REVISIONS | | | | | |
|-----|------|-----------|-----|-------------|------|-----|------|
| | | P | LTR | DESCRIPTION | DATE | DWN | APVD |
| GP | 00 | - | | SEE SHEET 1 | - | - | - |
| | | | | | | | |
| | | | | | | | |



SUGGESTED PANEL CUTOUT
 VIEW FROM CONNECTOR MOUNTING SIDE

- PART NUMBER CHANGES AND OR DESIGN CHANGES AFFECTING THE INTERCHANGEABILITY REQUIRE PRIOR TYCO APPROVAL AND AUTHORIZATION BY REVISION TO THIS DRAWING.
- MATERIAL:
 INSULATOR: THERMOPLASTIC, GLASS REINFORCED, UL 94V-0
 FLAMMABILITY RATED, COLOR: BLACK
 CONTACT: COPPER ALLOY
 CROWN BAND: COPPER ALLOY
 RETENTION CLIP: BERYLLIUM COPPER OR STAINLESS STEEL
 SHOULDER SCREWS: STAINLESS STEEL
- FINISH:
 CONTACTS SIZE #20 BODY : GOLD .000010 MIN THK.
 OVER NICKEL .00040 MIN THK.
 CROWN BAND CONTACT: GOLD .000030 MIN THK.
 OVER NICKEL .00040 MIN THK.

△4 ITEMS PROVIDED TO THIS SPECIFICATION TO BE PERMANENTLY IDENTIFIED PER THE FOLLOWING IDENTIFIER:

YEAR WEEK

TYCO PART NUMBER XXXXXXXX-X DATE CODE (e.g. 0216) XXXX

△5 CRIMP CONTACTS AND SHOULDER SCREWS (ITEMS B AND C) SHALL BE PACKAGED SEPARATELY AND PLACED IN THE BOX WITH THE CONNECTOR ASSEMBLY.

| | | | | |
|----|------|----|-------------|--------------------------------------|
| △5 | C | 2 | 1650589-1 | FLOAT MOUNT SHOULDER SCREW, M4 X 0.7 |
| △5 | B | 15 | 1648325-1 | CONTACT, SOCKET, #20, CRIMP |
| | A | 1 | 1648206-2 | HOUSING, SOCKET, FLOAT MOUNT |
| | ITEM | -1 | PART NUMBER | DESCRIPTION |

ELCON LOWER DRAWER

| | | | |
|--|--|---|---|
| <small>THIS DRAWING IS A CONTROLLED DOCUMENT FOR TYCO ELECTRONICS CORPORATION. IT IS SUBJECT TO CHANGE AND THE CONTROLLING ENGINEERING ORGANIZATION SHOULD BE CONTACTED FOR THE LATEST REVISION.</small> | | DWN R.GRZYBOWSKI 04OCT06 CHK S.FLICKINGER 04OCT06 APVD S.FLICKINGER 04OCT06 | Tyco Electronics Harrisburg, PA 17105-3608 |
| DIMENSIONS: INCHES | TOLERANCES UNLESS OTHERWISE SPECIFIED: 0 PLC ± 1 PLC ± 2 PLC ±.02 3 PLC ±.010 4 PLC ± ANGLES ±.5 FINISH | PRODUCT SPEC - APPLICATION SPEC - WEIGHT - | NAME CONNECTOR ASSEMBLY SOCKET, CRIMP 75 AMP, LOWER DRAWER SIZE A200779 CAGE CODE G-1926245 DRAWING NO 1926245 RESTRICTED TO - |
| MATERIAL - | | CUSTOMER DRAWING | |
| | | SCALE 3:1 | SHEET 2 OF 2 REV B |