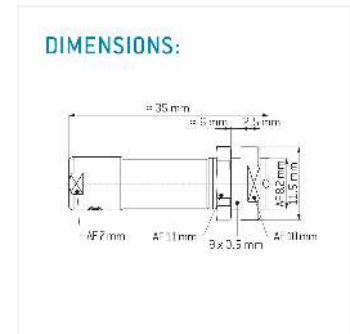
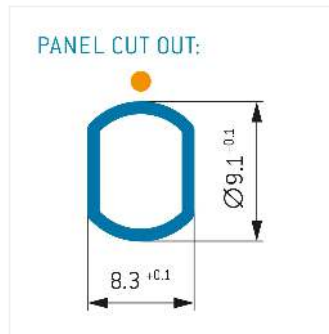
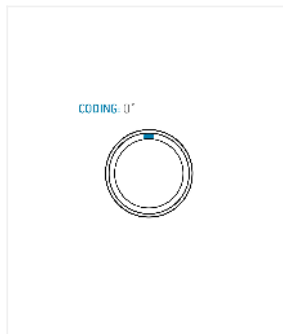


General information

Part number	G60LOC-P02NJG0-4200
Termination	crimp
Size	0
Locking principle	break , push
Coding	0 key
Cable Diameter	cable_mini_42



Contact insert description

Number of contacts	2
Contact type	sockets
Contact diameter	09mm
Insulator material	peek
Wire cross section	22-26 awg
Termination	crimp

reverse_gender_on_request

Technical information

Max. creepage and air clearance distance	10 mm	10 mm
Nominal current single contact	075 a	iec_60512_5_2
Nominal current insert	7,5 A	vde_0298_4
Test voltage	15 kv ac	sae_13441

safety_text

Mechanical and environmental data

Degree of protection*	ip50
Operating temperature	40_120_c
Mating cycles	5000

mated_unmated

Material and surface treatments

Housing	m_chrome
Contact	cu_alloy_gold

safety_text_2
ul_text
illustrative_text