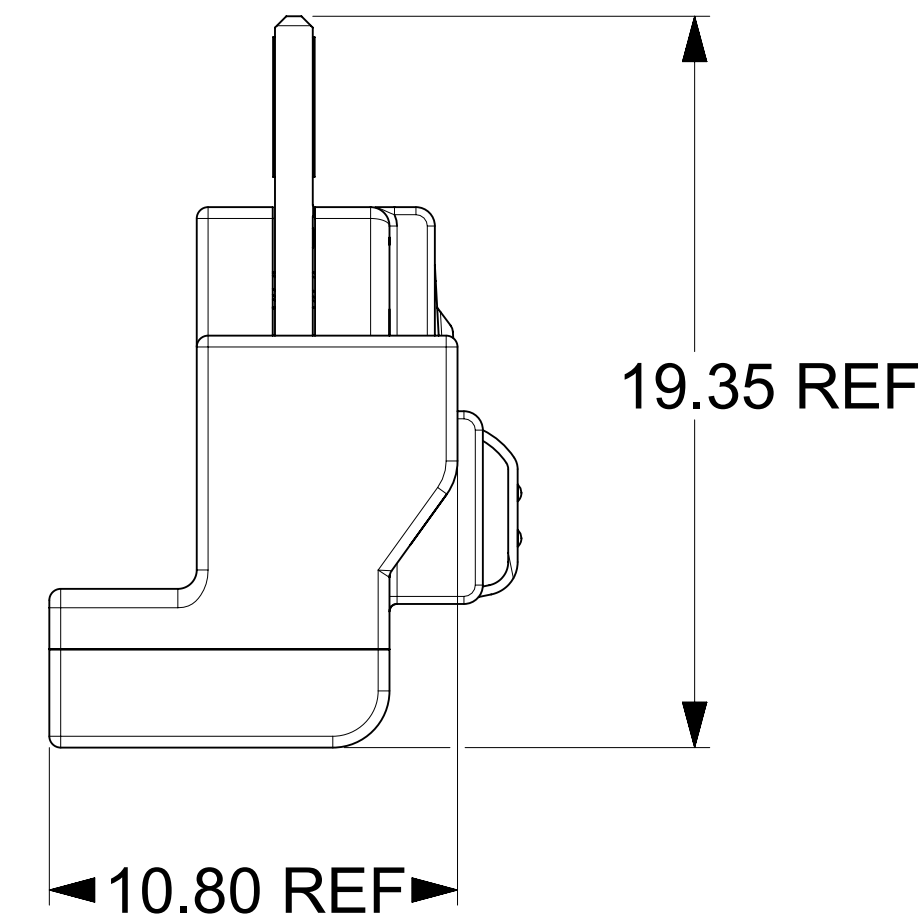
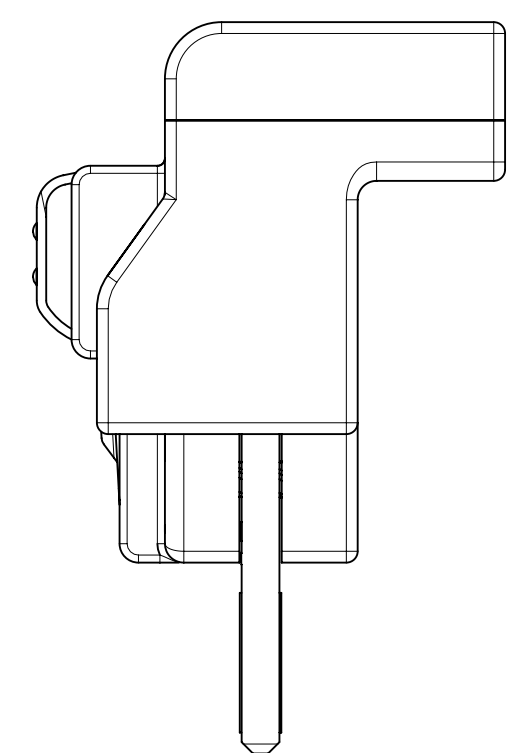


LABEL  
(SEE SHEET 2 FOR LABEL DETAIL)

EXPANDO

ACTATE TAPE



MOLEX P/N	LENGTH	TOLERANCE (mm)	AWG	IMPEDANCE	EE SPEC	LABEL CONTEXT
2079912001	300mm	±10	32	100 OHMS	SAS 4.0	SAS4.0 100 Ohm
2079912002	1000mm	±15	32	100 OHMS	SAS 4.0	SAS4.0 100 Ohm
2079912003	500mm	±10	32	100 OHMS	SAS 4.0	SAS4.0 100 Ohm
2079912301	300mm	±10	32	100 OHMS	SAS 3.0	SAS3.0 100 Ohm
2079912302	1000mm	±15	32	100 OHMS	SAS 3.0	SAS3.0 100 Ohm
2079932001	300mm	±10	32	85 OHMS	PCIe 4.0	PCIe4.0 85 Ohm
2079932002	1000mm	±15	32	85 OHMS	PCIe 4.0	PCIe4.0 85 Ohm
2079932003	500mm	±10	32	85 OHMS	PCIe 4.0	PCIe4.0 85 Ohm

- NOTES:
- MATERIAL:
    - HOUSING - PC 94V-0 BLACK
    - LATCH - STAINLESS STEEL
    - EXPANDO - PET
    - CABLE - SHIELD: ALUMNINIZED POLYESTER FOIL
      - SIGNAL PAIR : SILVER-COATED COPPER
      - DRAIN: TIN-COATED COPPER
      - CONFORMS TO VW1
    - PCB - FR4 (HALOGEN FREE)
  - THIS PRODUCT CONFORMS TO THE MECHANICAL DIMENSIONING OF SFF-8654
  - RoHS COMPLIANT. NO EXEMPTIONS

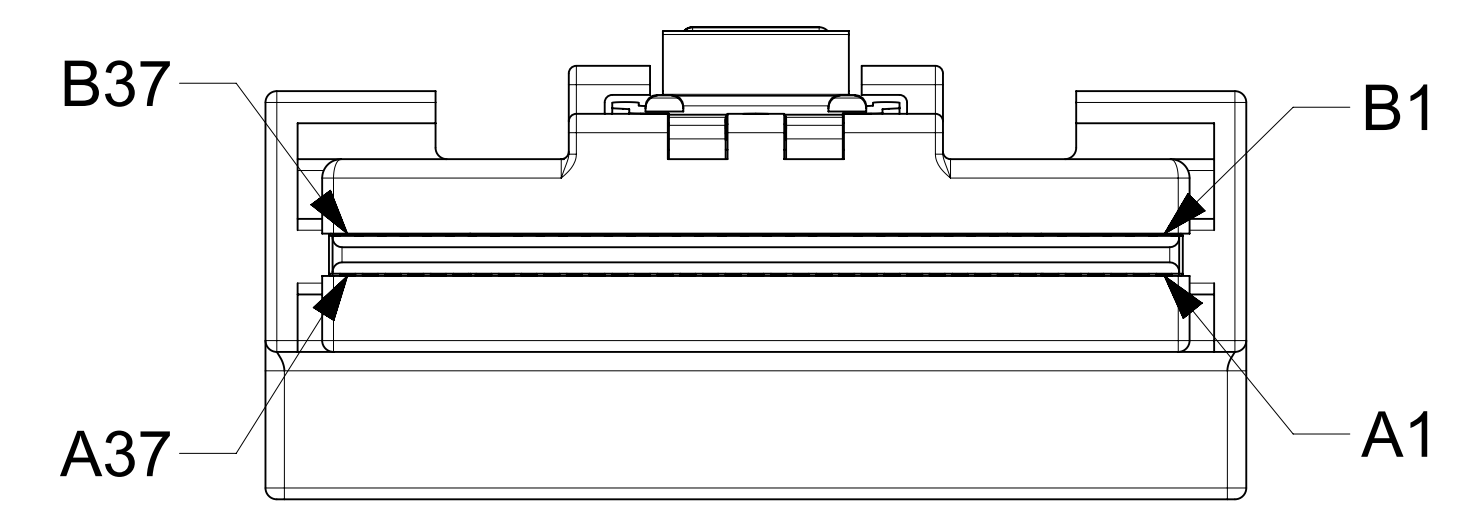
FUNCTIONAL SYMBOLS $\nabla_A = 0$ $\nabla_E = 0$ $\nabla_P = 0$ DIVISIONAL SYMBOLS	THIS DRAWING CONTAINS INFORMATION THAT IS PROPRIETARY TO MOLEX ELECTRONIC TECHNOLOGIES, LLC AND SHOULD NOT BE USED WITHOUT WRITTEN PERMISSION		CURRENT REV DESC:		
	DIMENSION UNITS	SCALE	EC NO: 656475		
	mm	5:1	DRWN: AMRUTH 2021/02/24		
	GENERAL TOLERANCES (UNLESS SPECIFIED)		CHK'D: VPENG01 2021/02/24		
ANGULAR TOL ± 3.0°		APPR: VPENG01 2021/02/24		PRODUCT CUSTOMER DRAWING	
4 PLACES ±		INITIAL REVISION:		DOCUMENT NUMBER	
3 PLACES ± 0.2		DRWN: LOU01 2018/06/28		2079912000	
2 PLACES ± 0.3		APPR: VPENG01 2018/08/13		PSD 000 D	
1 PLACE ± 0.4		DRAFT WHERE APPLICABLE MUST REMAIN WITHIN DIMENSIONS		SHEET NUMBER	
0 PLACES ±		THIRD ANGLE PROJECTION		1 OF 3	
D-DRAWING		SERIES		CUSTOMER	
D-D-SIZE		207991		GENERAL MARKET	

PINOUT DIAGRAM

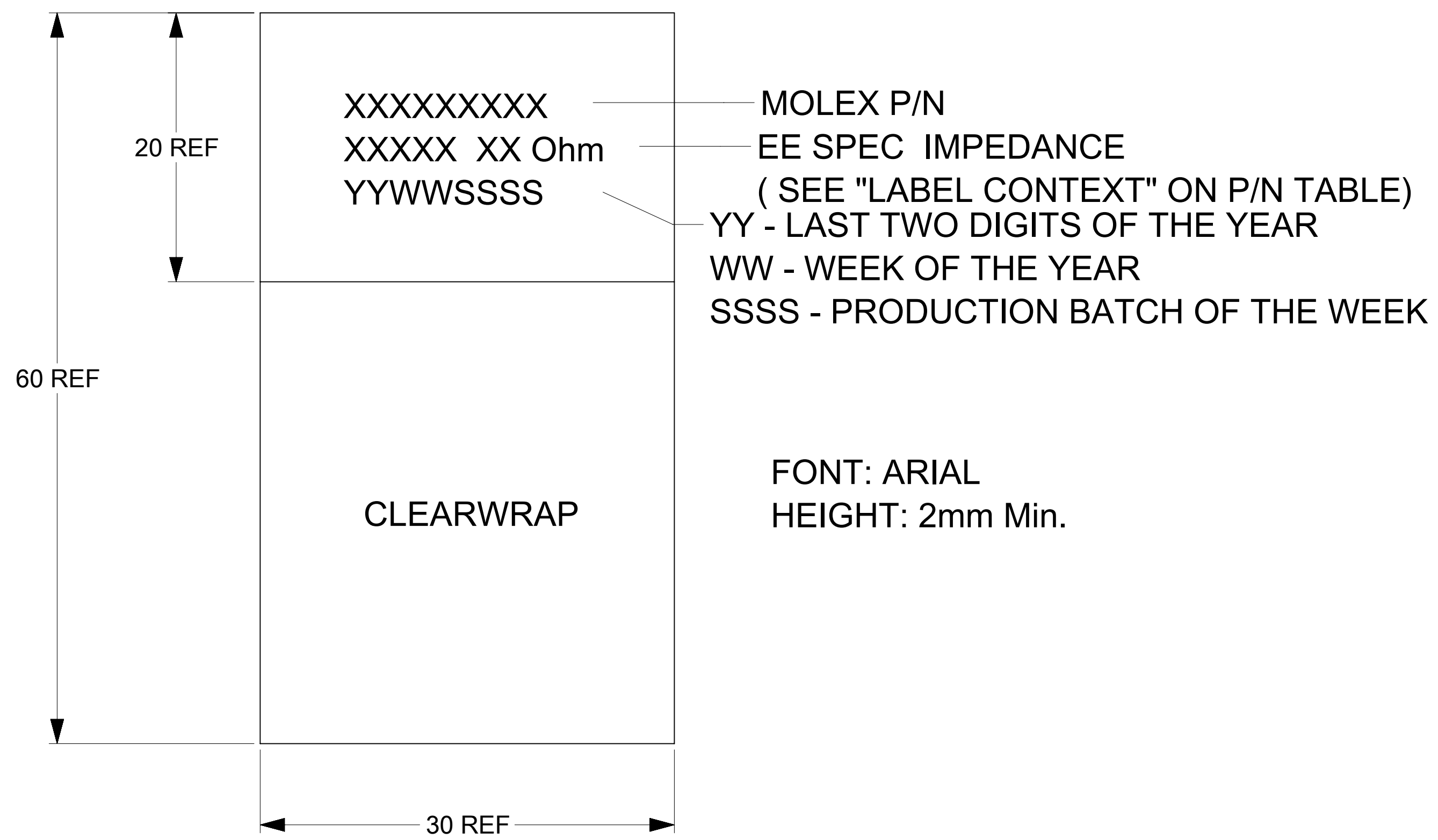
P1		SIGNAL TYPE	P2		P1		SIGNAL TYPE	P2	
GND	A1	—	B1	GND	GND	B1	—	A1	GND
RX0+	A2	←	B2	TX0+	TX0+	B2	→	A2	RX0+
RX0-	A3	←	B3	TX0-	TX0-	B3	→	A3	RX0-
GND	A4	—	B4	GND	GND	B4	—	A4	GND
RX1+	A5	←	B5	TX1+	TX1+	B5	→	A5	RX1+
RX1-	A6	←	B6	TX1-	TX1-	B6	→	A6	RX1-
GND	A7	—	B7	GND	GND	B7	—	A7	GND
SB	A8	↔	B8	SB	SB	B8	↔	A8	SB
SB	A9	↔	B9	SB	SB	B9	↔	A9	SB
SB	A10	↔	B10	SB	SB	B10	↔	A10	SB
SB	A11	↔	B11	SB	SB	B11	↔	A11	SB
SB	A12	↔	B12	SB	SB	B12	↔	A12	SB
GND	A13	—	B13	GND	GND	B13	—	A13	GND
RX2+	A14	←	B14	TX2+	TX2+	B14	→	A14	RX2+
RX2-	A15	←	B15	TX2-	TX2-	B15	→	A15	RX2-
GND	A16	—	B16	GND	GND	B16	—	A16	GND
RX3+	A17	←	B17	TX3+	TX3+	B17	→	A17	RX3+
RX3-	A18	←	B18	TX3-	TX3-	B18	→	A18	RX3-
GND	A19	—	B19	GND	GND	B19	—	A19	GND
RX4+	A20	←	B20	TX4+	TX4+	B20	→	A20	RX4+
RX4-	A21	←	B21	TX4-	TX4-	B21	→	A21	RX4-
GND	A22	—	B22	GND	GND	B22	—	A22	GND
RX5+	A23	←	B23	TX5+	TX5+	B23	→	A23	RX5+
RX5-	A24	←	B24	TX5-	TX5-	B24	→	A24	RX5-
GND	A25	—	B25	GND	GND	B25	—	A25	GND
SB	A26	↔	B26	SB	SB	B26	↔	A26	SB
SB	A27	↔	B27	SB	SB	B27	↔	A27	SB
SB	A28	↔	B28	SB	SB	B28	↔	A28	SB
SB	A29	↔	B29	SB	SB	B29	↔	A29	SB
SB	A30	↔	B30	SB	SB	B30	↔	A30	SB
GND	A31	—	B31	GND	GND	B31	—	A31	GND
RX6+	A32	←	B32	TX6+	TX6+	B32	→	A32	RX6+
RX6-	A33	←	B33	TX6-	TX6-	B33	→	A33	RX6-
GND	A34	—	B34	GND	GND	B34	—	A34	GND
RX7+	A35	←	B35	TX7+	TX7+	B35	→	A35	RX7+
RX7-	A36	←	B36	TX7-	TX7-	B36	→	A36	RX7-
GND	A37	—	B37	GND	GND	B37	—	A37	GND

→ = TRANSMIT TO RECEIVE ON HIGH SPEED CIRCUITS  
 — = GND  
 ↔ = SIDEBAND  
 NOTE: ALL SIGNAL GROUND ARE BUSSED IN PCB.

P1 P2


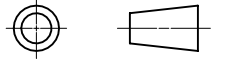


LABEL DETAIL



FUNCTIONAL SYMBOLS $\nabla_A = 0$ $\nabla_E = 0$ $\nabla_P = 0$	THIS DRAWING CONTAINS INFORMATION THAT IS PROPRIETARY TO MOLEX ELECTRONIC TECHNOLOGIES, LLC AND SHOULD NOT BE USED WITHOUT WRITTEN PERMISSION		CURRENT REV DESC:			
	DIMENSION UNITS: mm SCALE: 1:1	GENERAL TOLERANCES (UNLESS SPECIFIED) ANGULAR TOL $\pm 3.0^\circ$				EC NO: 656475 DRWN: AMRUTH 2021/02/24 CHK'D: VPENG01 2021/02/24 APPR: VPENG01 2021/02/24
DIVISIONAL SYMBOLS 4 PLACES $\pm$ 3 PLACES $\pm 0.2$ 2 PLACES $\pm 0.3$ 1 PLACE $\pm 0.4$ 0 PLACES $\pm$	DRAFT WHERE APPLICABLE MUST REMAIN WITHIN DIMENSIONS		THIRD ANGLE PROJECTION	DRAWING: D-SIZE SERIES: 207991	MATERIAL NUMBER: 2079912000 CUSTOMER: GENERAL MARKET	SHEET NUMBER: 2 OF 3

REVISION HISTORY			
DATE	REV	DESCRIPTION	ENGINEER
2021/02/18	C	SHEET 1: ADDED P/N 2079912003 AND ITS DETAILS IN THE P/N TABLE.	AMRUTH
2021/02/24	D	SHEET 1: ADDED P/N 2079932003 AND ITS DETAILS IN THE P/N TABLE.	AMRUTH

THIS DRAWING CONTAINS INFORMATION THAT IS PROPRIETARY TO MOLEX ELECTRONIC TECHNOLOGIES, LLC AND SHOULD NOT BE USED WITHOUT WRITTEN PERMISSION											
DIMENSION UNITS	SCALE	CURRENT REV DESC:									
mm	1:1										
GENERAL TOLERANCES (UNLESS SPECIFIED)		EC NO: 656475 DRWN: AMRUTH 2021/02/24 CHK'D: VPENG01 2021/02/24 APPR: VPENG01 2021/02/24 INITIAL REVISION: DRWN: LOU01 2018/06/28 APPR: VPENG01 2018/08/13			DOCUMENT NUMBER		DOC TYPE	DOC PART	REVISION		
ANGULAR TOL	± 3.0°				2079912000		PSD	000	D		
4 PLACES	±				SLIMSAS 8X RAD TO RAD CABLE ASSY.		PRODUCT CUSTOMER DRAWING				
3 PLACES	± 0.2				2079912000		SEE P/N TABLE				
2 PLACES	± 0.3				207991		GENERAL MARKET		SHEET NUMBER		
1 PLACE	± 0.4				3 OF 3						
0 PLACES	±										
DRAFT WHERE APPLICABLE MUST REMAIN WITHIN DIMENSIONS		THIRD ANGLE PROJECTION	DRAWING	SERIES	MATERIAL NUMBER	CUSTOMER					
			D-SIZE	207991	207991	GENERAL MARKET					

DOCUMENT STATUS	P1	RELEASE DATE	2021/02/24	10:53:47
-----------------	----	--------------	------------	----------