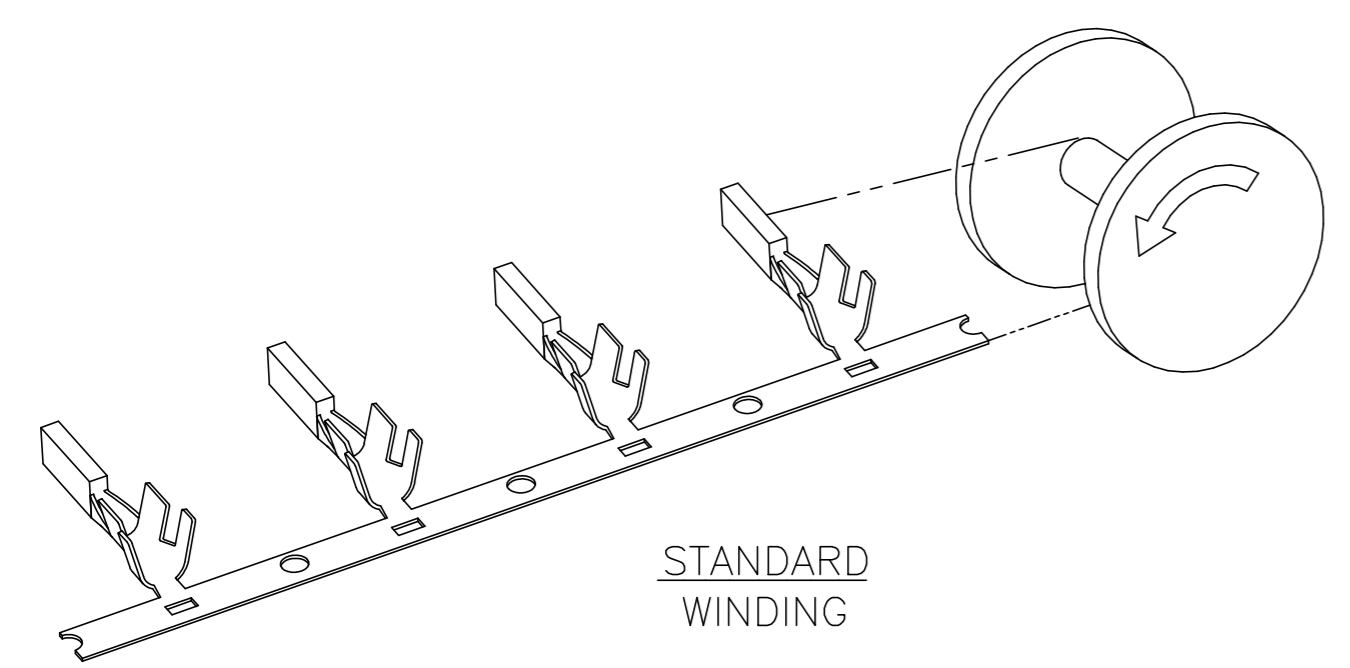
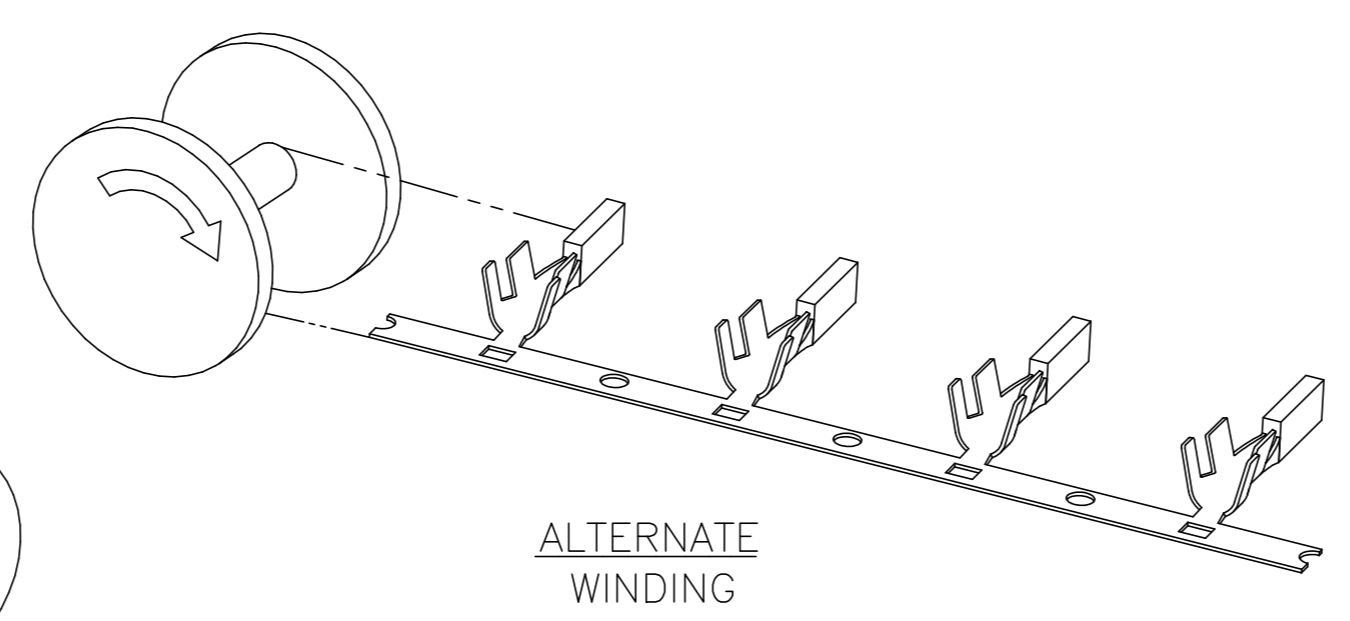
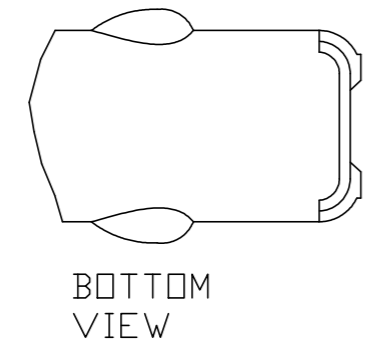
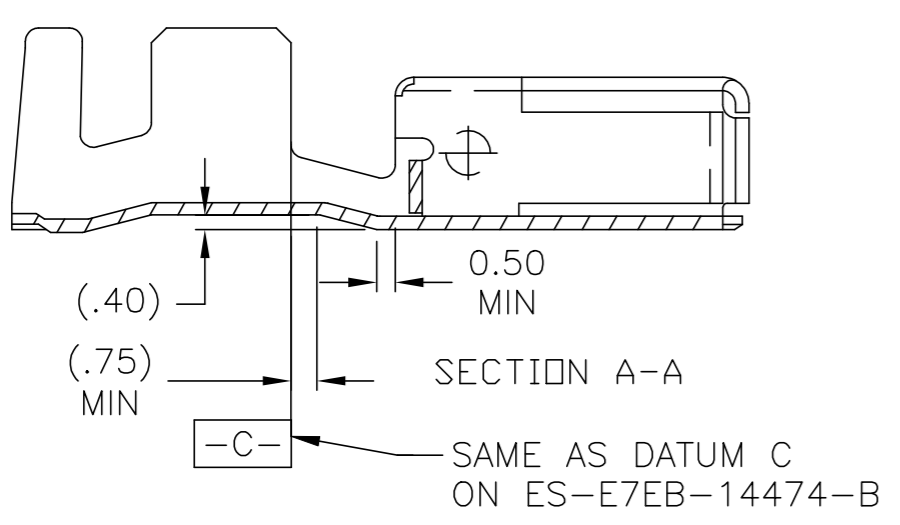
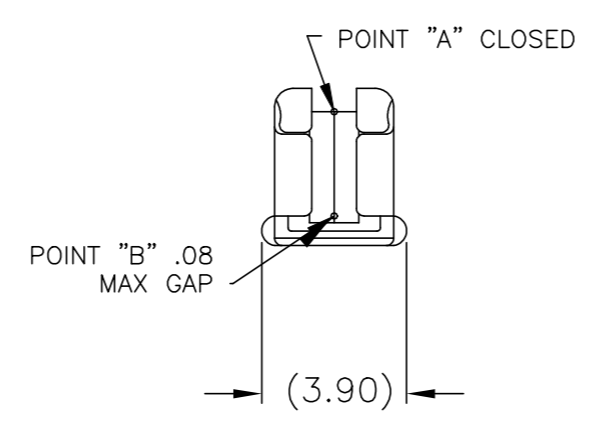
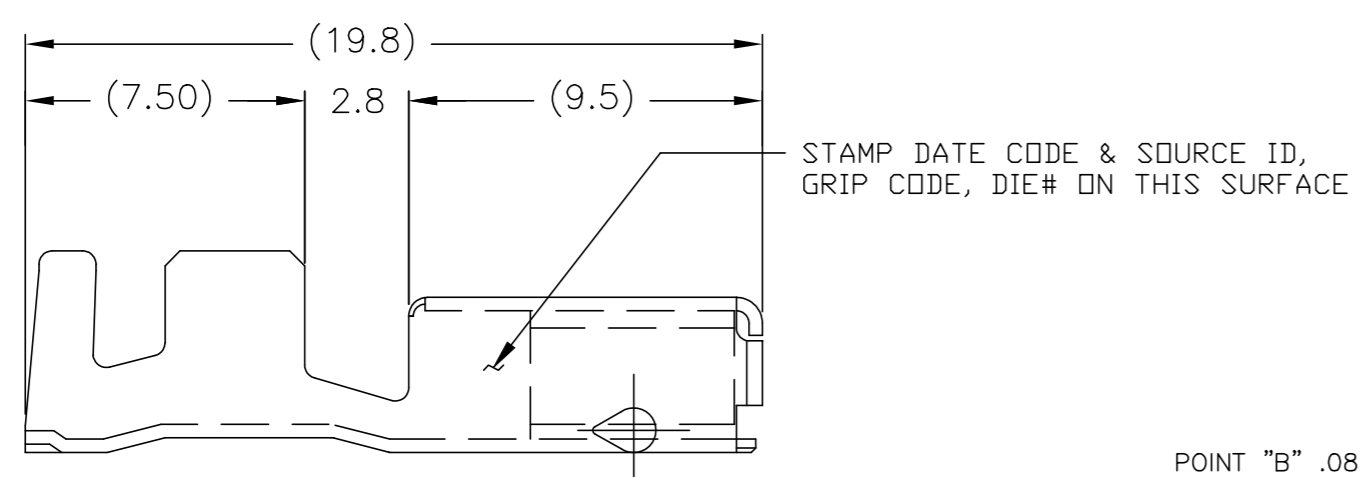
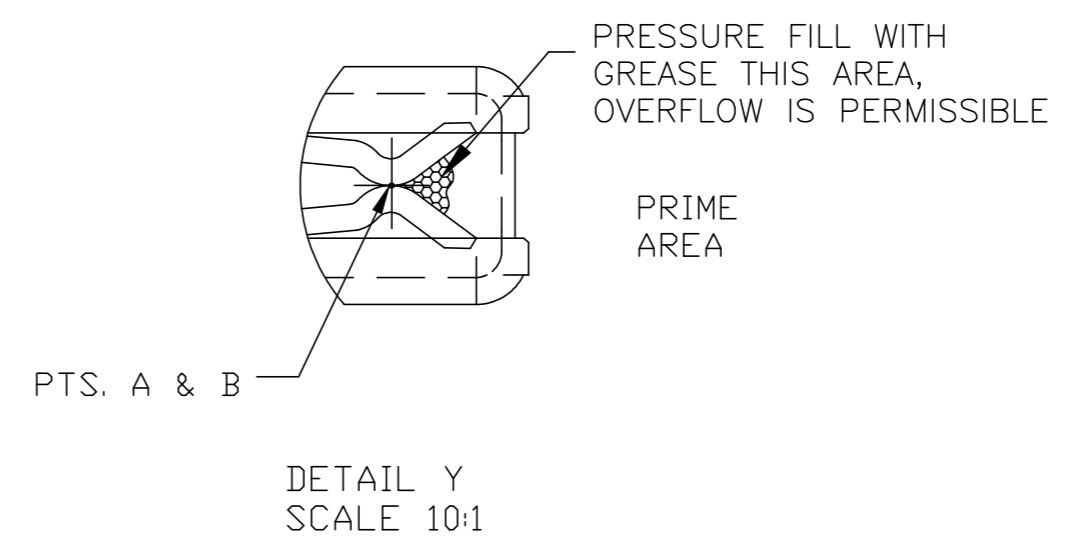
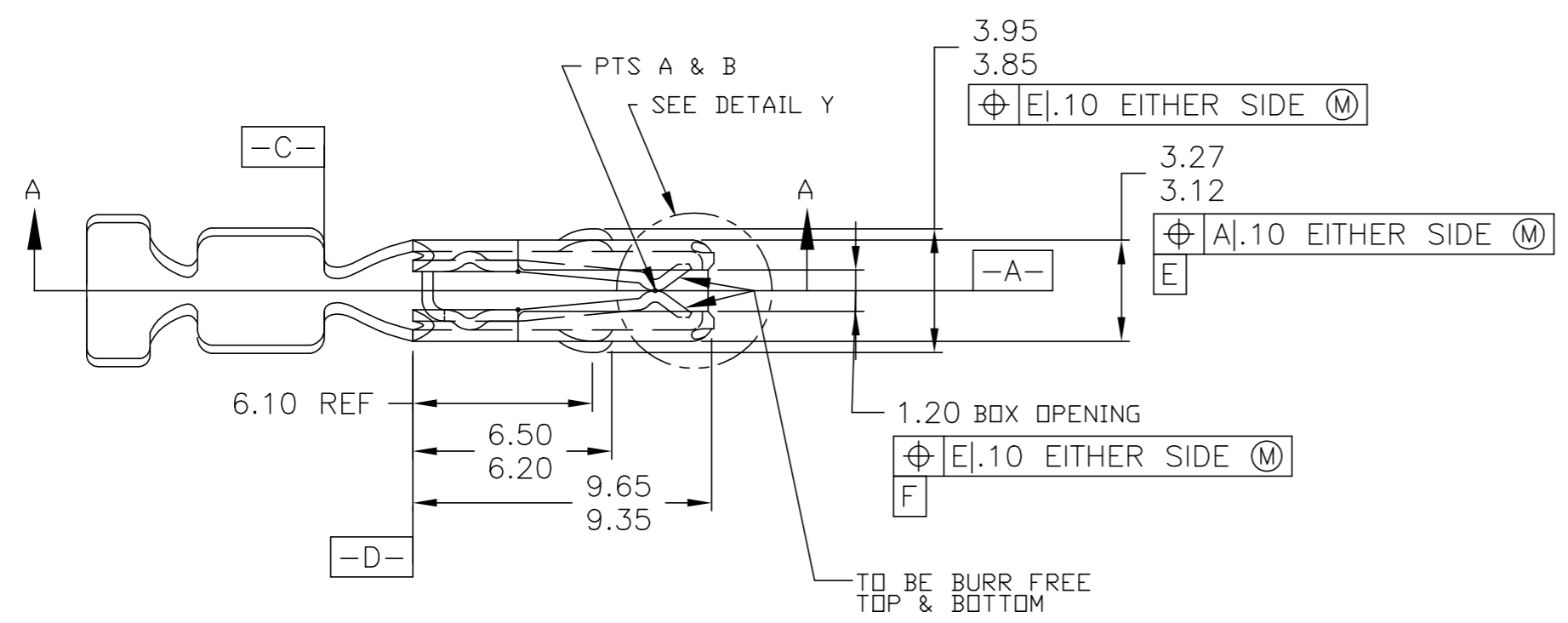


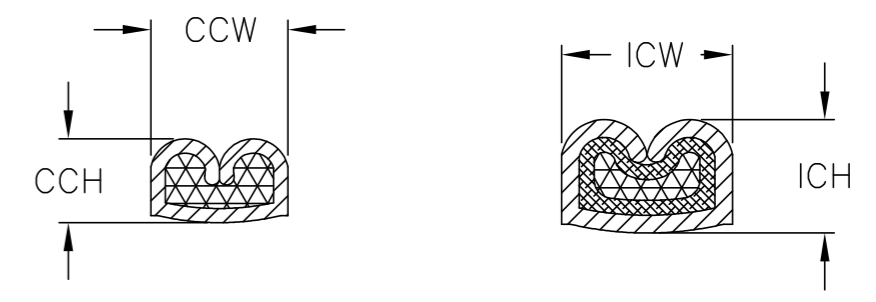
THIS DRAWING IS UNPUBLISHED. RELEASED FOR PUBLICATION  
 © COPYRIGHT 2018 TE Connectivity Ltd. ALL RIGHTS RESERVED.

REVISIONS					
P	LTR	DESCRIPTION	DATE	DWN	APVD
F		REVISED PER ECO-19-016188	31OCT2019	JMS	WW



NOTES: UNLESS OTHERWISE SPECIFIED

- GENERAL TOLERANCES:  
 ± .3 ALL ONE PLACE DIMENSIONS  
 ± .15 ALL TWO PLACE DIMENSIONS  
 ± 1.00° ALL ANGULAR DIMENSIONS
- \* CRIMPING OF TERMINALS TO WIRE MUST MEET ALL REQUIREMENTS OF ES-E7E8-14474-A
- FOR WIRE INSULATION DEFORMATION SPECIFICATIONS SEE ES-E4EB-14461-AA
- MATERIAL: UNS C19500 BRASS, 1/2 HARD (REF)  
 FINISH: WSB-NIP9-B TIN PLATE - HOT DIP, PRE-TIN STRIP EXCEPT PLATING THICKNESS TO BE A MINIMUM OF .035u INCH



OBSOLETE	TE P/N (ALTERNATE WINDING)	TE P/N (STANDARD WINDING)	GRIP CODE	WIRE SIZE	CCW	CCH	ICW	ICH	ICW	ICH
					CONDUCTOR CRIMP	INSULATION CRIMP (TW)	INSULATION CRIMP (STD)			
3-1438230-6	3-1438230-3	12	12	3.25	2.00	3.20	3.50	-	-	-
	3-1438230-2	14	14	2.85	1.80	3.20	2.90	3.40	3.05	3.70
	3-1438230-1	22	22	1.85	1.20	2.20	2.00	2.40	2.15	2.40
			24	1.85	1.10	2.20	1.75	2.40	1.90	2.40
	3-1438230-5	3-1438230-4	18	18	2.05	1.50	2.40	2.30	2.80	2.70
			20	2.05	1.40	2.40	2.20	2.80	2.60	2.60

THIS DRAWING IS A CONTROLLED DOCUMENT.

DWN: JR BUSSARD 09 MAY 2003  
 CHK: DM REVAK 09 MAY 2003  
 APVD: DM REVAK 09 MAY 2003

TE Connectivity Ltd.

TERMINAL - WIRE SNAP ON FEMALE

SIZE: A2 CAGE CODE: 00779 DRAWING NO: C=1438230 RESTRICTED TO: -

WEIGHT: 0.000000 SCALE: 5:1 SHEET: 1 of 1 REV: F

CUSTOMER DRAWING