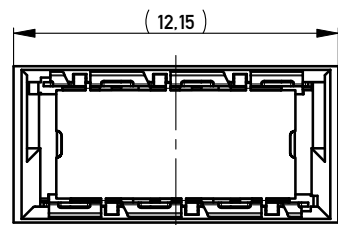
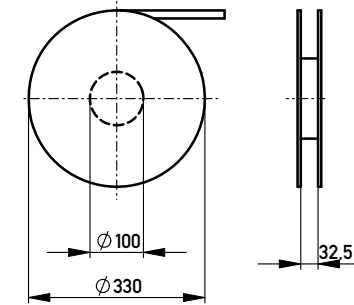
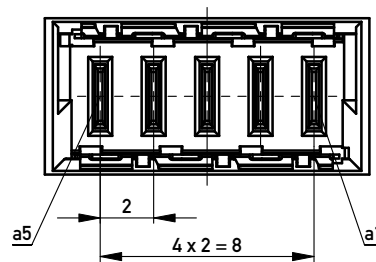


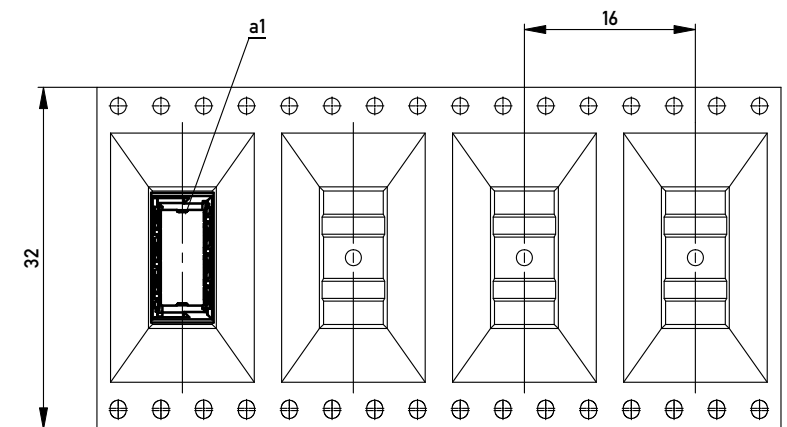
Verpackt in Gurtverpackung - Tape on Reel Packaging  
 Verpackungseinheit: 420 Stück - Packaging unit: 420 pcs



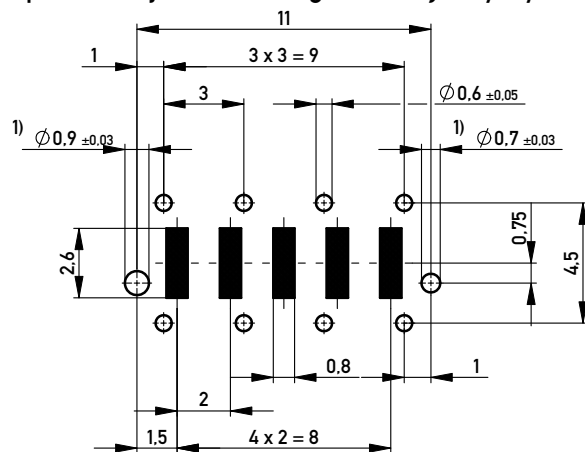
ohne Ansaughaube  
 without hood



Abspulrichtung - Reel off Direction



Leiterplatten-Layout Vorschlag / PCB-layout proposal



Anforderungsstufe 1  
 Performance Level 1

Kontaktbereich vergoldet  
 Mating Area gold plating

Anschlussbereich verzinkt 4-6µm  
 Terminal Area 4-6µm tin plating

Koplanarität der Anschlüsse ≤ 0.1mm  
 Coplanarity Area of Termination ≤ 0.1mm

1) Durchmesser des Bohrers / Drill tool

Copyright by ERNI GmbH  
 Proprietary notice pursuant to ISO 16016 to be observed.

Information:		Tolerances	All Dimensions in mm	Scale	5:1
All rights reserved. Only for Information. To ensure that this is the latest version of this drawing, please contact one of the ERNI companies before using.		Subject to modification without prior notice. Drawing will not be updated.		Designation	
		www.ERNI.com		Messerleiste THR, Powerm. 2mm Male Con. THR, Powerm. 2mm	
i	16.08.2010			214917	
Index	Date			I A3	
				Class	MSPEED