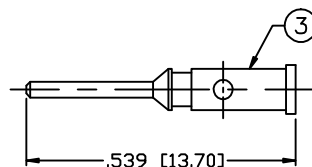
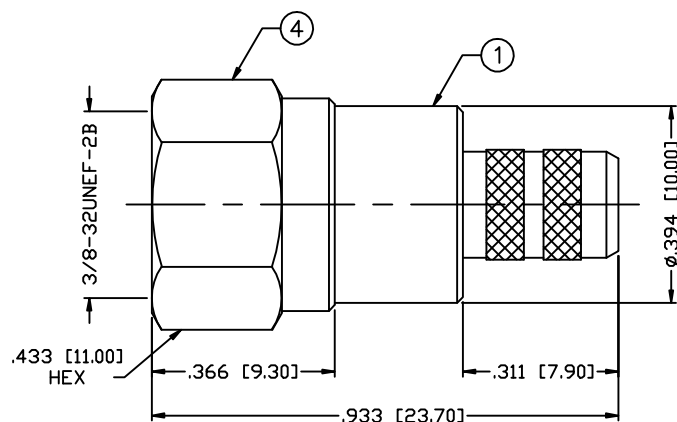


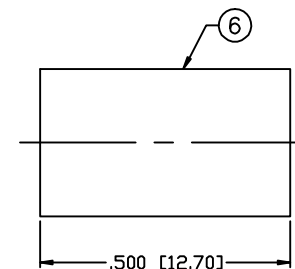
PART NO.

RFF-1405-D1

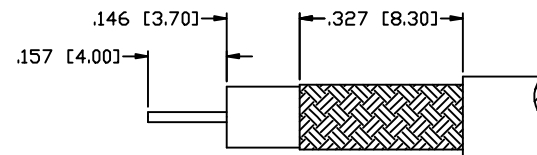
REV	DESCRIPTION	DWN	DATE	APPROVED
-	ENGINEERING RELEASE	CZS	01/13/10	JDMc



RECOMMENDED CRIMP DIE: .068"



RECOMMENDED CRIMP DIE: .255"



RECOMMENDED STRIPPING DIMENSIONS

SPECIFICATIONS:

IMPEDANCE: 75 Ohms
 FREQUENCY RANGE: 0-1 GHz
 WORKING VOLTAGE: 500 V rms max. @ sea level
 (D1) FOR BELDEN 1426A, 1505A, 8212, 8241F, 9100, 9110, 9165, 9171, 9240, 9259, 9265, 9274, 9275, 9659, YR2393D; CommScope 5553, 5565, 5552, 5550, 5567, 5571

#	DESCRIPTION	QTY	MATERIAL	FINISH
6	FERRULE	1	BRASS	NICKEL, 100 μ "
5	GROUND RING	1	BRASS	NICKEL, 100 μ "
4	SHELL	1	BRASS	NICKEL, 100 μ "
3	PIN	1	BRASS	GOLD, 3 μ "
2	INSULATOR	1	DELTRIN	---
1	BODY	1	BRASS	NICKEL, 100 μ "

CUSTOMER
OUTLINE DRAWINGALL DIMENSIONS
ARE REFERENCE ONLYUNLESS OTHERWISE SPECIFIED:
DIMENSIONS ARE IN INCHES
AND [MILLIMETERS]DRAWN
C. ZUNIGA 06/30/10

CHECKED

ORJ DRAWN
C. ZUNIGA 06/30/10**RoHS
COMPLIANT**

PROPRIETARY AND CONFIDENTIAL
 THIS DRAWING CONTAINS
 INFORMATION PROPRIETARY TO
 RF INDUSTRIES. ANY
 UNAUTHORIZED USE OF THIS
 DRAWING IS EXPRESSLY
 PROHIBITED WITHOUT WRITTEN
 PERMISSION FROM RF
 INDUSTRIES. ANY VIOLATION IS
 PUNISHABLE UNDER U.S.
 COPYRIGHT LAWS.

RFconnectors

DIVISION OF RF INDUSTRIES, LTD.

7610 MIRAMAR RD.
SAN DIEGO, CA 92126
(858) 549-6340
(858) 549-6345 FAX**F PLUG, CRIMP**

SIZE	CABLE GROUP	DWG NO.	REV
A	D1	RFF-1405-D1	---
SCALE: NTS		ENGINEERING ID: 008974	SHEET 1 OF 1