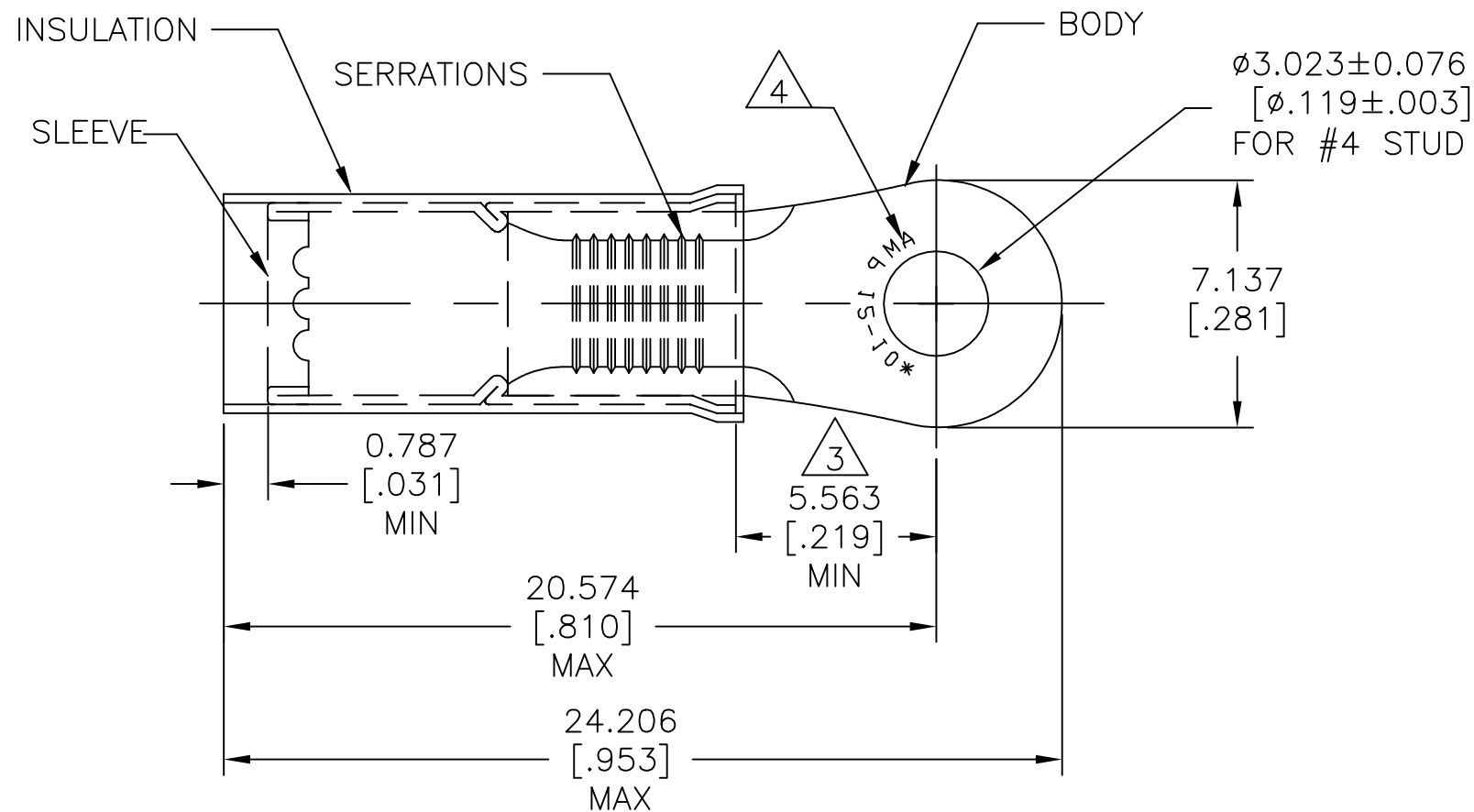


P	LTR	DESCRIPTION	DATE	DWN	APVD
L1		NEW DRAWING PER ECO-11-019045	02APR12	KH	DR
L2		REVISED PER ECO-17-007400	01DEC2017	RS	DR

AMP WIRE RANGE	Listed FILE E13288	LR7189 Certified
12-10 AWG SOLID OR STRANDED	12-10 AWG SOLID OR STRANDED	12-10 AWG SOLID OR STRANDED



- 1 FOR WIRE INSULATION: $\phi 3.810-6.350$ [$\phi .150-.250$]
- 2 BODY MATERIAL THK: 1.016 ± 0.051 [$.040 \pm .002$]
- 3 APPLIES FROM EDGE OF METAL WIRE BARREL TO CENTER OF STUD HOLE.
- 4 STAMP AMP 12-10* APPROX AS SHOWN
- 5 MATERIAL:
BODY&SLEEVE: COPPER PER ASTM B152
INSULATION: NYLON.
- 6 FINISH:
BODY&SLEEVE: TIN PLATE PER ASTM B545
INSULATION: COLOR-YELLOW

2000	ON TAPE REEL	1-35148-1
500	LOOSE PIECE	35148
QTY	PACKAGE TYPE	PART NO

AMP INCORPORATED
CUSTOMER SERVICE SYSTEMS

THIS DRAWING IS A CONTROLLED DOCUMENT.

DWN KIRAN HOLAL 02APR12

CHK ROHDE DANIEL 02APR12

APVD ROHDE DANIEL 02APR12

PRODUCT SPEC

UL486A-B

APPLICATION SPEC

114-2157

WEIGHT

CUSTOMER DRAWING



NAME
WIRE TERMINAL
P.I.D.G RING TONGUE
WIRE SIZE: 12-10

SIZE	CAGE CODE	DRAWING NO	RESTRICTED TO
A3	00779	C=35148	-

FOR ADDITIONAL PRODUCT INFORMATION OR COPIES OF DRAWINGS AND TECHNICAL DOCUMENTS

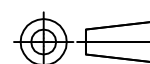
PRODUCT INFORMATION CENTER
1-800-522-6752

RECOMMENDED OPERATING TEMPERATURE:
105°C [221°F]

VOLTAGE RATING:
300V MAX

WIRE CROSS SECTIONAL AREA RANGE:
2.62-6.64mm² [5,180-13,100]
SOLID OR STRANDED

DIMENSIONS:
mm [INCHES]



TOLERANCES UNLESS OTHERWISE SPECIFIED:

- 0 PLC ± -
- 1 PLC ± -
- 2 PLC ± -
- 3 PLC ± 0.127[.005]
- 4 PLC ± -
- ANGLES ± 5°

MATERIAL



FINISH

