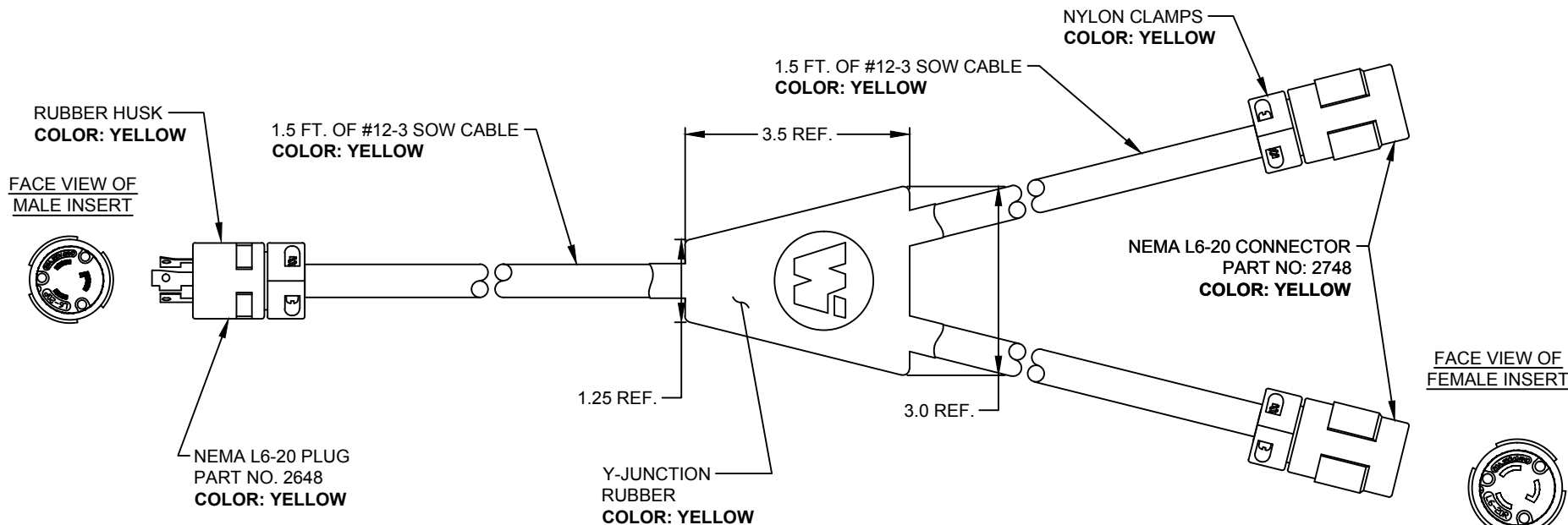


MATERIAL #	ENGR #
1301540124	2648-Y



RELEASE SALES DWG EC NO: ICG2015-1446 DRWN: HRUIZ01 2015/02/13 CHKD: HKNEELAN 2015/02/13 APPR: JFMURPHY 2015/04/27	QUALITY SYMBOLS	GENERAL TOLERANCES (UNLESS SPECIFIED)		DIMENSION STYLE		SCALE	DESIGN UNITS	THIRD ANGLE PROJECTION		
	$\nabla=0$ $\sphericalangle=0$		mm	INCH	INCH		NTS	INCH		
		4 PLACES	±---	±---	DRAWN BY	DATE	TITLE			
		3 PLACES	±---	±.005	HRUIZ01	2015/02/13	MOLDED "Y" SPLICE 20A/250V (1) 2648 & (2) 2748			
	2 PLACES	±---	±.010	CHECKED BY	DATE	MOLEX INCORPORATED				
	1 PLACE	±---	±.020	HKNEELAN	2015/02/13					
	ANGULAR ±1/2°		APPROVED BY		DATE	SD-130154-017				
	DRAFT WHERE APPLICABLE MUST REMAIN WITHIN DIMENSIONS		JFMURPHY		2015/04/27					
				MATERIAL NO.	1301540124		DOCUMENT NO.	SD-130154-017		
				SIZE	THIS DRAWING CONTAINS INFORMATION THAT IS PROPRIETARY TO MOLEX INCORPORATED AND SHOULD NOT BE USED WITHOUT WRITTEN PERMISSION					
				A				SHEET NO. 1 OF 1		