

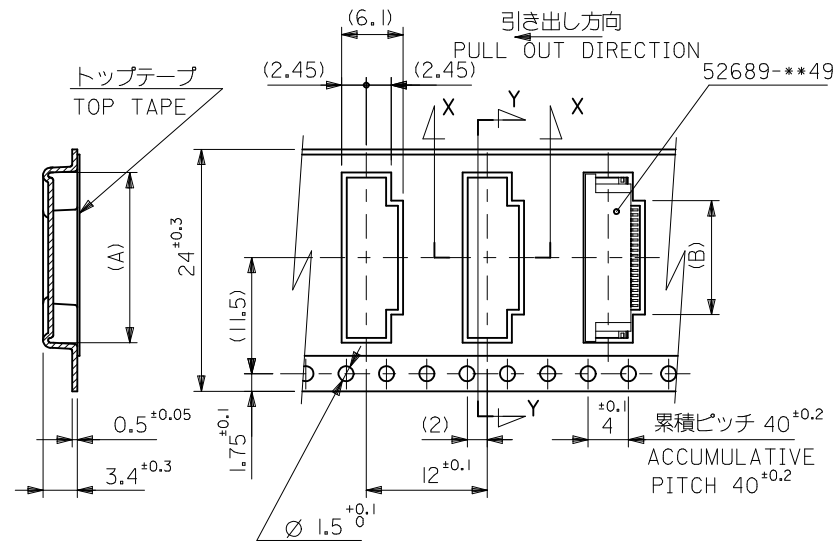
SECT.X-X

SECT.Y-Y

24mm幅キャリアテープ
24mm WIDTH CARRIER TAPE

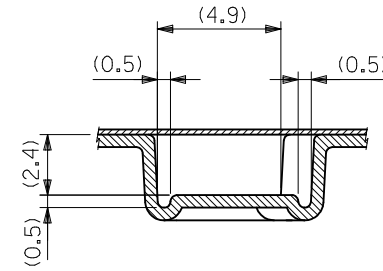
24	29.4	25.4	11.8	17.4	52689-2287	22
52689-***87	キャリアテープ幅 CARRIER TAPE WIDTH	E	D	(B)	(A)	MATERIAL NO. 極数 CIRCUIT

REVISED EC NO: J2017-0300 DRAWNGES 2016/12/14 CHKD: APPR:MSASAO 2016/12/20	GENERAL TOLERANCES (UNLESS SPECIFIED)			DIMENSION STYLE MM ONLY		SCALE ---	DESIGN UNITS METRIC	THIRD ANGLE PROJECTION
	0.25 UNDER	UNDER	±0.03	DRAWN BY	DATE	TITLE		
	0.25 OVER	0.5 UNDER	±0.05	H.KAWABATA	2004/02/03	0.5 FPC CONN NON ZIF HSG ASSY SMT RA EMBSTP PKG		
	0.5 OVER	1.0 UNDER	±0.1	K.TOJO	2004/02/03	-LEAD FREE-		
1.0 OVER	10 UNDER	±0.2	APPROVED BY	DATE	molex MATERIAL NO. DOCUMENT NO. SD-52689-035 SHEET NO. 3 OF 3			
10 OVER	30 UNDER	±0.25	M.SASAO	2004/02/03				
30 OVER		±0.3	SEE TABLE					
ANGULAR ±3			SIZE A3	THIS DRAWING CONTAINS INFORMATION THAT IS PROPRIETARY TO MOLEX ELECTRONIC TECHNOLOGIES, LLC AND SHOULD NOT BE USED WITHOUT WRITTEN PERMISSION				
DRAFT WHERE APPLICABLE MUST REMAIN WITHIN DIMENSIONS								



SECT.Y-Y

24mm幅キャリアテープ
24mm WIDTH CARRIER TAPE



SECT.X-X

24	29.4	25.4	11.8	17.4	52689-2287	22
52689-***87	キャリアテープ幅 CARRIER TAPE WIDTH	E	D	(B)	(A)	MATERIAL NO. 極数 CIRCUIT

REVISED EC NO: J2017-0300 DRAWNGES 2016/12/14 CHKD: APPR:MSASAO 2016/12/20	GENERAL TOLERANCES (UNLESS SPECIFIED)			DIMENSION STYLE MM ONLY		SCALE ---	DESIGN UNITS METRIC	THIRD ANGLE PROJECTION
	0.25 UNDER	UNDER	±0.03	DRAWN BY	DATE	TITLE		
	0.25 OVER	0.5 UNDER	±0.05	H.KAWABATA	2004/02/03	0.5 FPC CONN NON ZIF HSG ASSY SMT RA EMBSTP PKG -LEAD FREE-		
	0.5 OVER	1.0 UNDER	±0.1	K.TOJO	2004/02/03	molex MATERIAL NO. DOCUMENT NO. SD-52689-035 SHEET NO. 3 OF 3		
1.0 OVER	10 UNDER	±0.2	APPROVED BY	DATE				
10 OVER	30 UNDER	±0.25	M.SASAO	2004/02/03	SEE TABLE			
30 OVER		±0.3	DRAFT WHERE APPLICABLE MUST REMAIN WITHIN DIMENSIONS			THIS DRAWING CONTAINS INFORMATION THAT IS PROPRIETARY TO MOLEX ELECTRONIC TECHNOLOGIES, LLC AND SHOULD NOT BE USED WITHOUT WRITTEN PERMISSION		