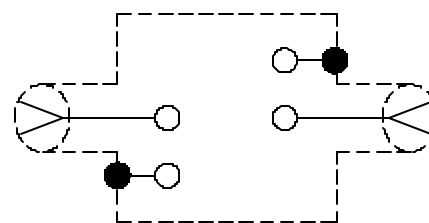
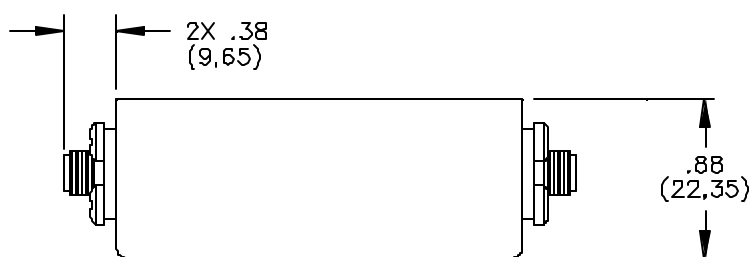
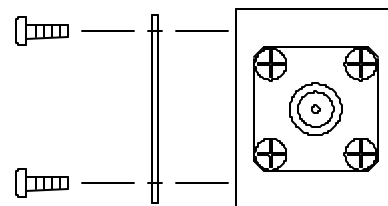
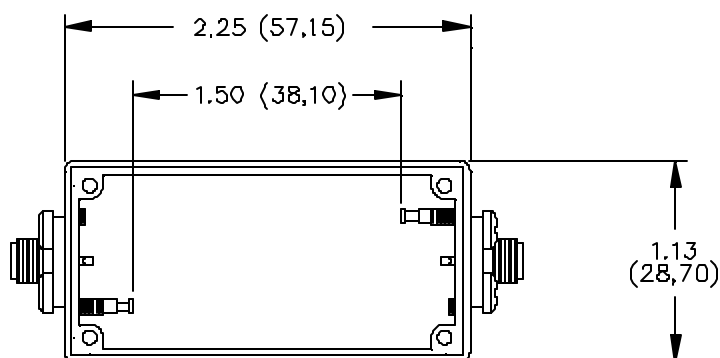


## Model 2399 Size A Aluminum Box With Cover SMA Female/Female



SCHEMATIC

### MATERIALS:

Connector: 2 ea. SMA Receptacle. Body: Tarnish Resistant Plating, Center Contact: Gold Plated

Beryllium Copper

Solder Turret Terminal Screws: Steel

Shielded Housing: Die cast aluminum alloy A380 or A384.

Finish: Blue paint per Federal Standard 595 #25109 over Phosphoric Etch

Cover: .040 Thick aluminum alloy #1100-H14

Finish: Clear Anodized

Screws: Steel 4 ea. #2-32 x 1/4" Pan Head, self-tapping

### RATINGS:

Operating Voltage: Inner conductor/Shield: 335 VRMS Max.

Operating Temperature: -55°C to +150°C

Nominal Impedance: 50 Ohms

### ORDERING INFORMATION: Model 2399

All dimensions are in inches. Tolerances (except noted): .xx = ±.02" (.51 mm), .xxx = ±.005" (.127 mm).

All specifications are to the latest revisions. Specifications are subject to change without notice.

Registered trademarks are the property of their respective companies. Made in USA