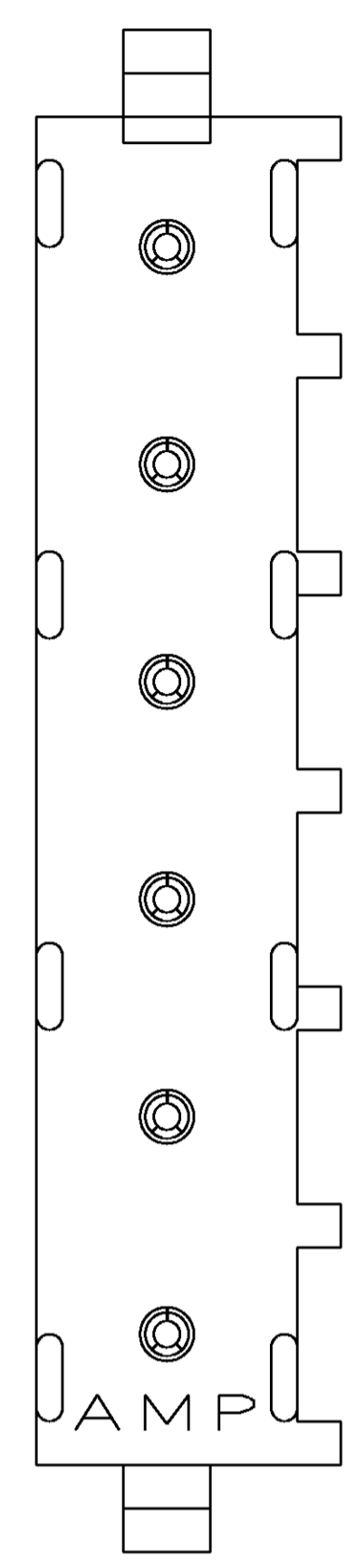
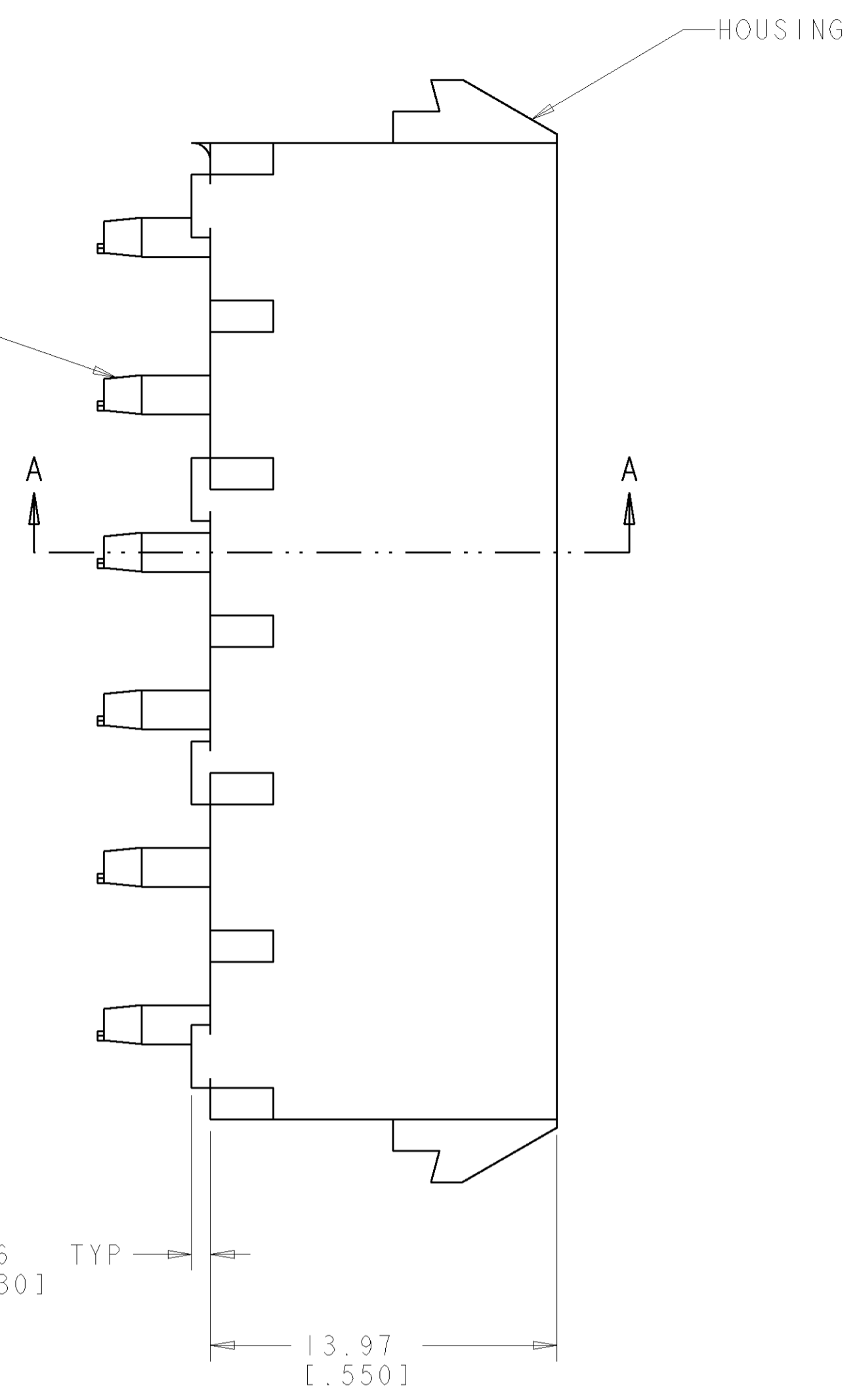


LOC	DIST	REVISIONS					
CM	00	P	LTR	DESCRIPTION	DATE	DWN	APVD
		0		REVISED PER 0638-0087-04	27APR04	KW	SR



CONTACT
6 REQ'D



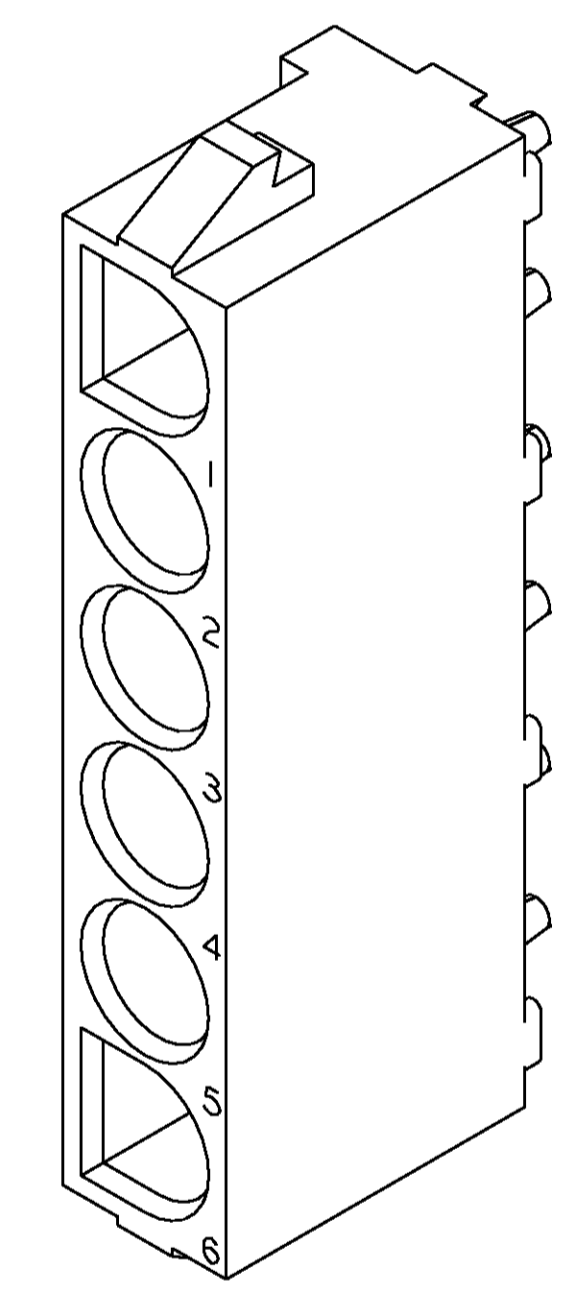
39.37
[1.550]

7.62
[.300]

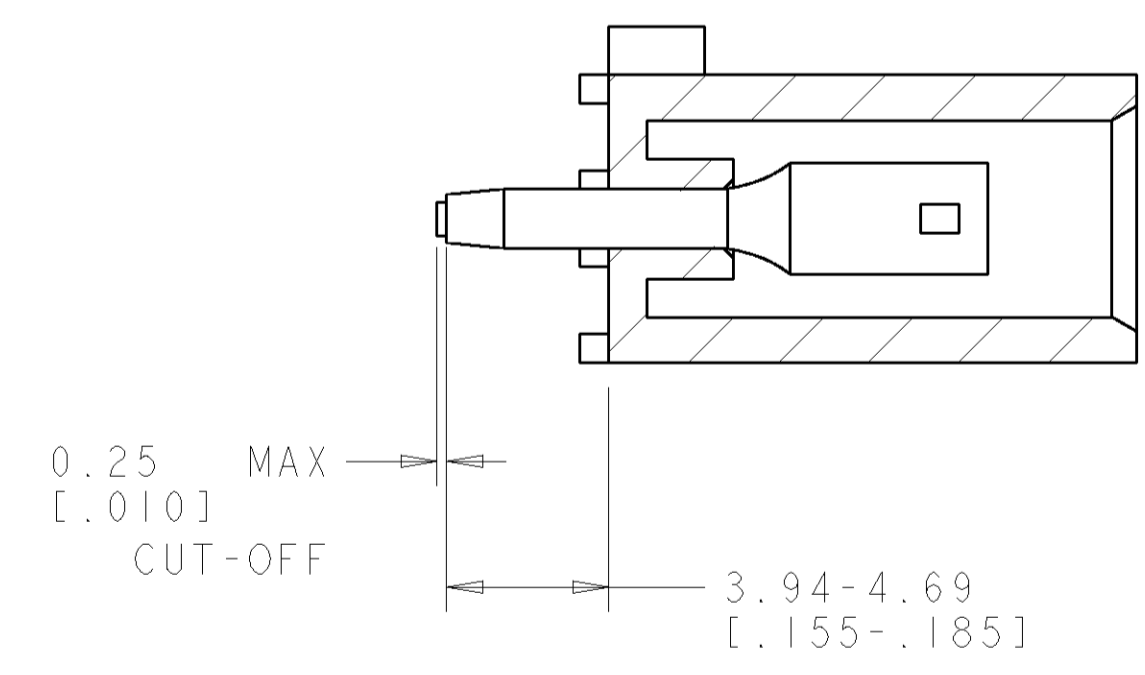
0.76 TYP
[.030]

13.97
[.550]

- PARTS COMPLY TO AMP SOLDERABILITY SPECIFICATION 109-11-3.
- CIRCUIT IDENTIFICATION CHARACTERS ARE ADJACENT TO THE INDICATED CAVITIES, BUT LOCATION AND ORIENTATION MAY DIFFER FROM PRINT.
- DIMENSIONS IN BRACKETS ARE IN INCHES.
- IDENTIFICATION WILL APPEAR AT CIRCUIT NO. 1, OTHERS OPTIONAL.



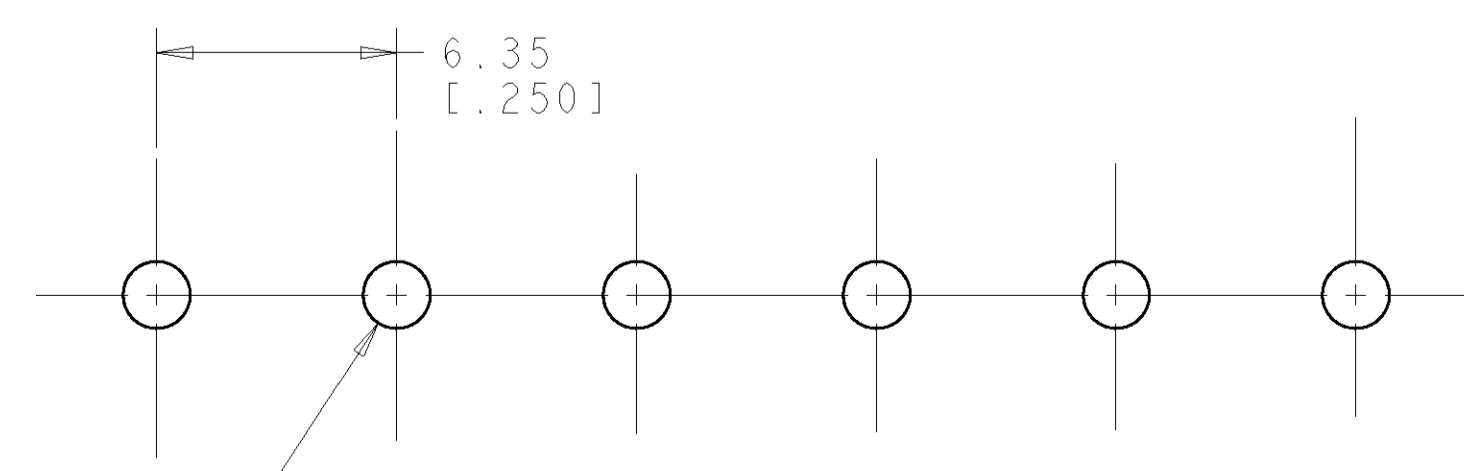
SCALE 4:1



0.25 MAX
[.010]
CUT-OFF

3.94-4.69
[.155-.185]

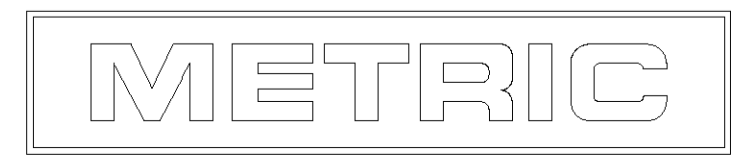
SECTION A-A



$\phi 1.78 \pm 0.07$
[.070 \pm .003]
6 PLC

RECOMMENDED MOUNTING HOLE PATTERN
FOR 1.57 [.062] THICK P.C. BOARD

PHOSPOR BRONZE, PRE-TIN PIN CONTACT MATERIAL AND FINISH	NYLON, UL94V-2, NATURAL HOUSING MATERIAL AND COLOR	1586202-1 PART NUMBER
--	---	--------------------------



DIMENSIONS: mm [INCHES]		TOLERANCES UNLESS OTHERWISE SPECIFIED:		DWN R. WHITAKER 27APR04		Tyco Electronics Harrisburg, PA 17105-3608	
0 PLC ± 1 PLC ± 2 PLC ±0.13(.005) 3 PLC ± 4 PLC ±		ANGLE ±40° 30'		ENR S. RIDGILL 27APR04		NAME SOCKET HEADER ASSEMBLY, 6 CIRCUIT INLINE, NO DRAIN HOLES, UNIVERSAL MATE-N-LOK™	
MATERIAL SEE TABLE		FINISH SEE TABLE		PRODUCT SPEC APPLICATION SPEC		SIZE CAGE CODE DRAWING NO. RESTRICTED TO A1 00779 C=1586202	
CUSTOMER DRAWING				WEIGHT -		SCALE 5:1 SHEET 1 OF 1 REV 0	