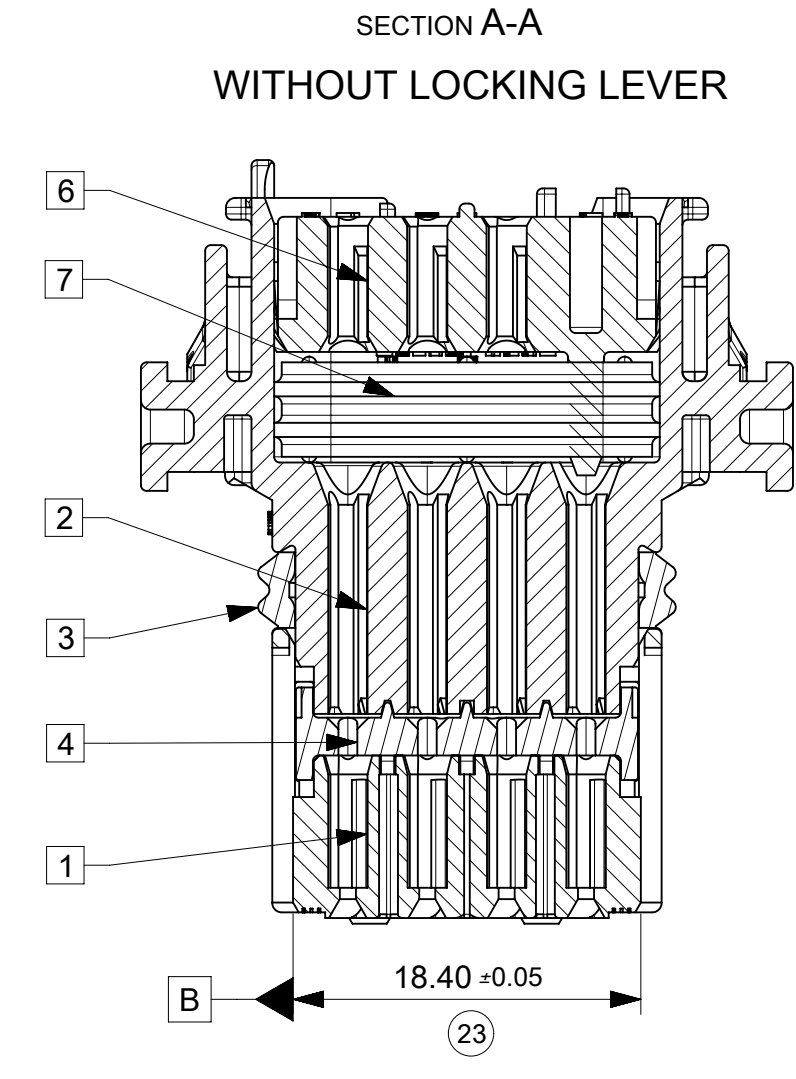
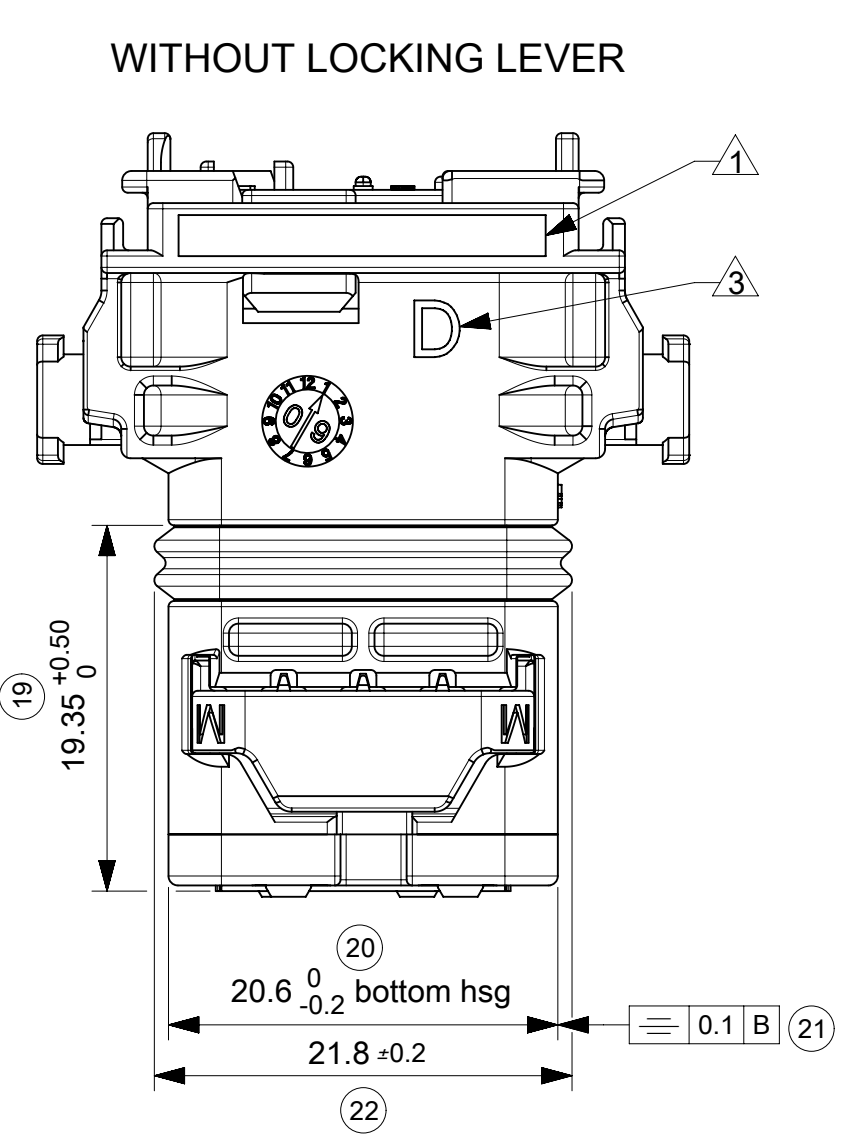
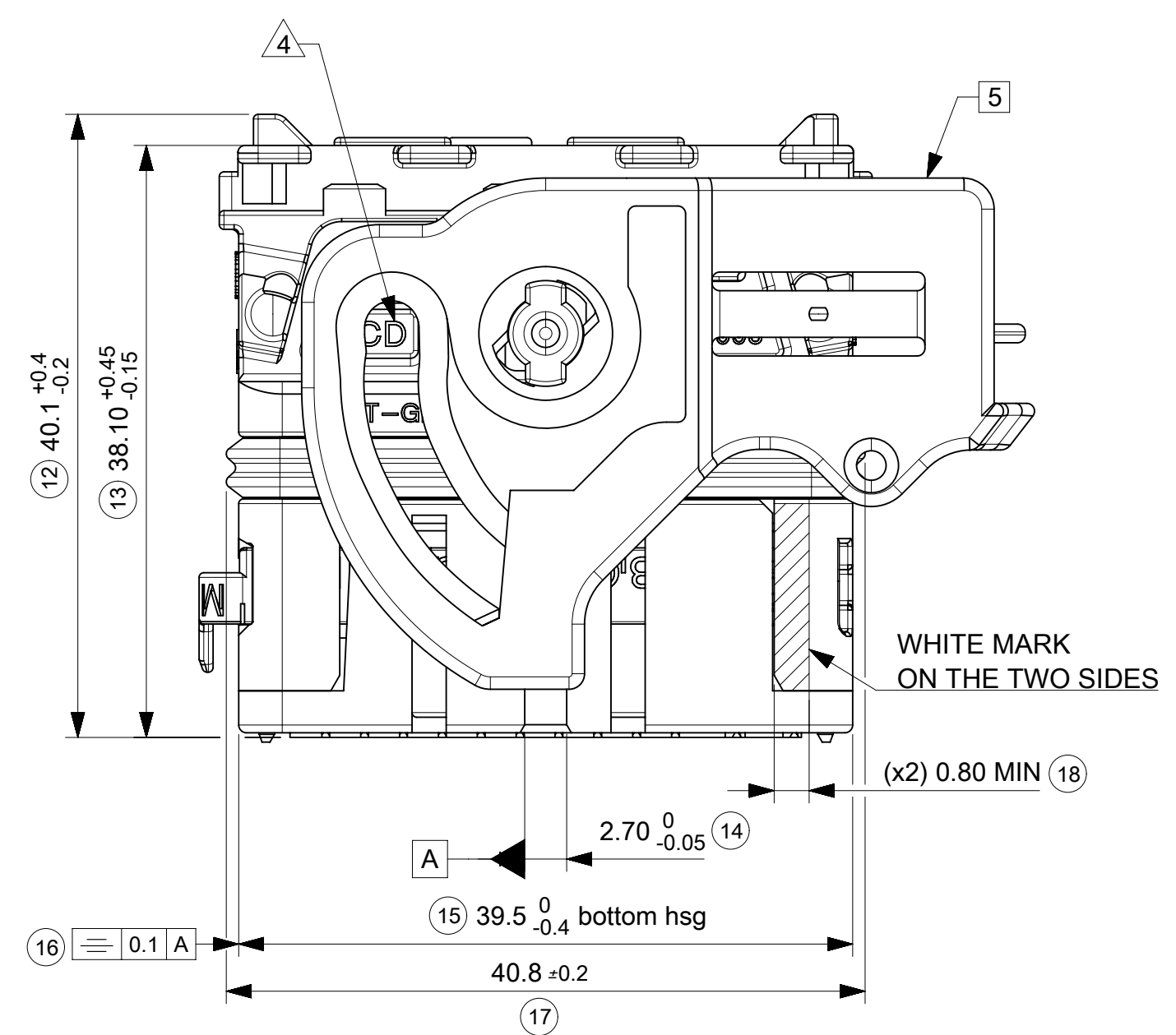
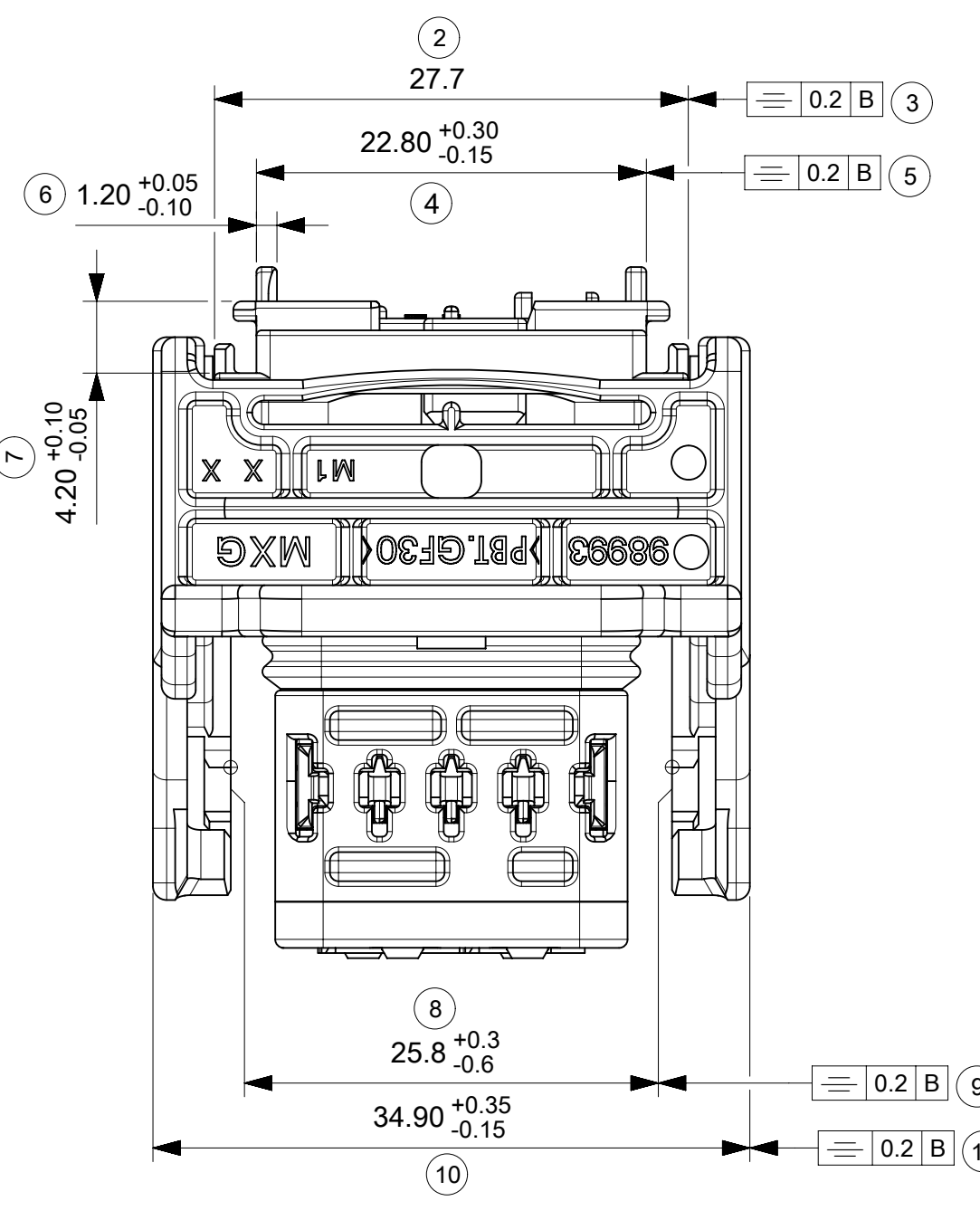
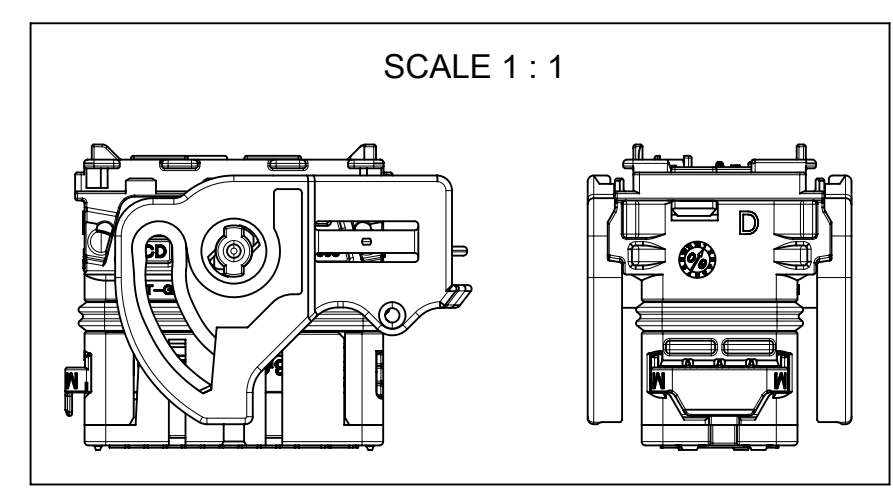
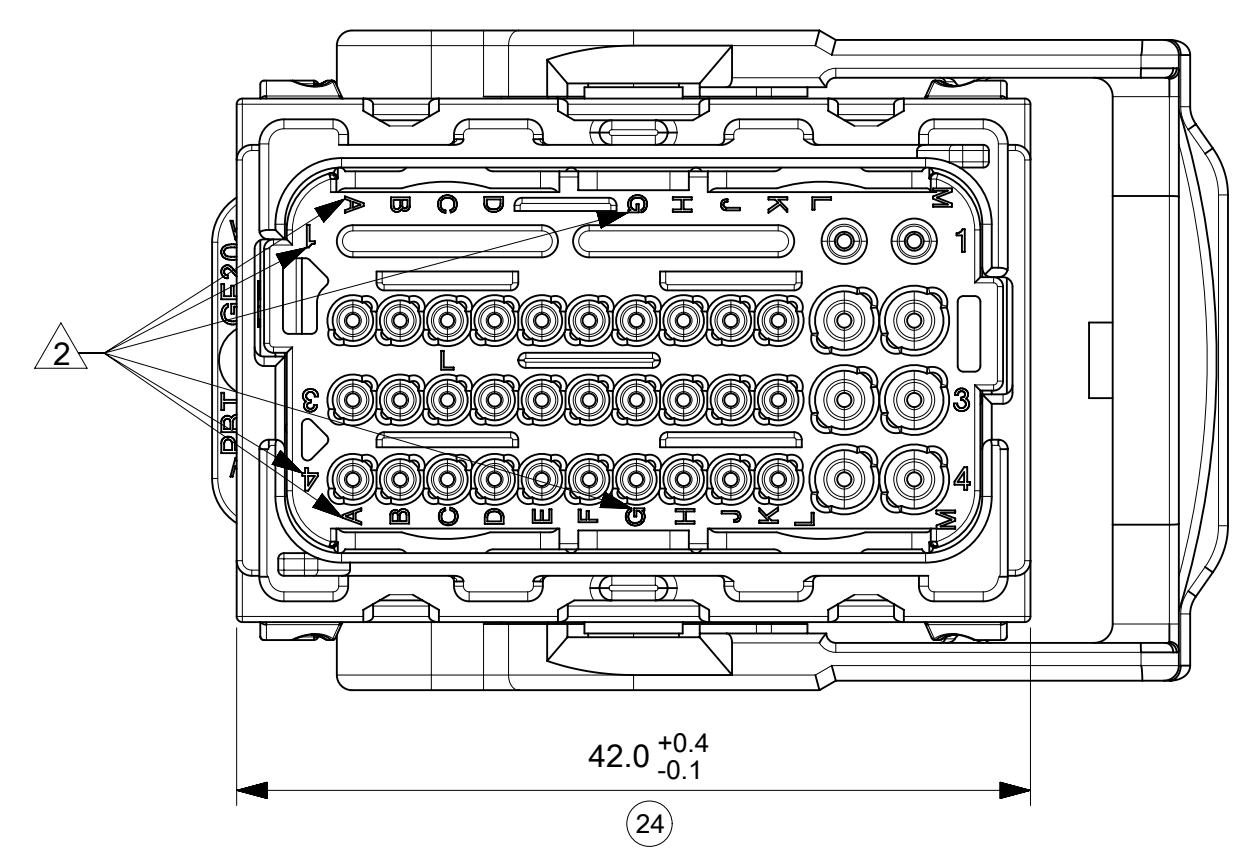


LEFT WIRE OUTPUT	
MATERIAL NUMBER	COLOR
0643202311	BLACK
N/A	GREY
0643202319	BROWN
N/A	GREEN



RIGHT WIRE OUTPUT	
MATERIAL NUMBER	COLOR
0643204311	BLACK
N/A	GREY
0643204319	BROWN
N/A	GREEN



- NOTES:
- FOR ILLUSTRATION PURPOSE THE FEMALE HOUSING SHOWN IS THE RIGHT WIRE OUTPUT VERSION CODING 1
 - APPLICATION SPECIFICATION: AS-64319-002
 - WIRES EXTERNAL DIAMETER USED:
FOR CP0.6 TERMINAL: USE WIRES WITH AN EXTERNAL DIAMETER BETWEEN $\varnothing 1.25\text{MM}$ MIN AND $\varnothing 1.90\text{MM}$ MAX
FOR CP1.5 TERMINAL: USE WIRES WITH AN EXTERNAL DIAMETER BETWEEN $\varnothing 1.40\text{MM}$ MIN AND $\varnothing 2.80\text{MM}$ MAX
 - THE CONNECTOR FITS WITH WIRE CAP (48 WAY) MOLEX P/N 0643201301
 - BLIND PLUG FOR 0.6 AND 1.5 CAVITIES (MOLEX P/N 0643251010 AND 0643251023) MUST BE USED ON THIS PART
 - DELIVERED PRODUCT WEIGHT: 36.1 g

REF.	DESIGNATION	MATERIAL	COLOR
7	MAT SEAL	Silicon	RED
6	BACK GRID 36W	>PBT-GF20<	YELLOW
5	LOCKING LEVER 48W	>PBT-GF30<	BLACK
4	SECONDARY LOCK	>PBT-GF20<	GREY
3	PERIPHERAL SEAL 48W	Silicon	RED
2	BACK PART	>PBT-GF20<	BLACK
1	FRONT PART	>PBT-GF20<	COLOR LINKED TO KEYING

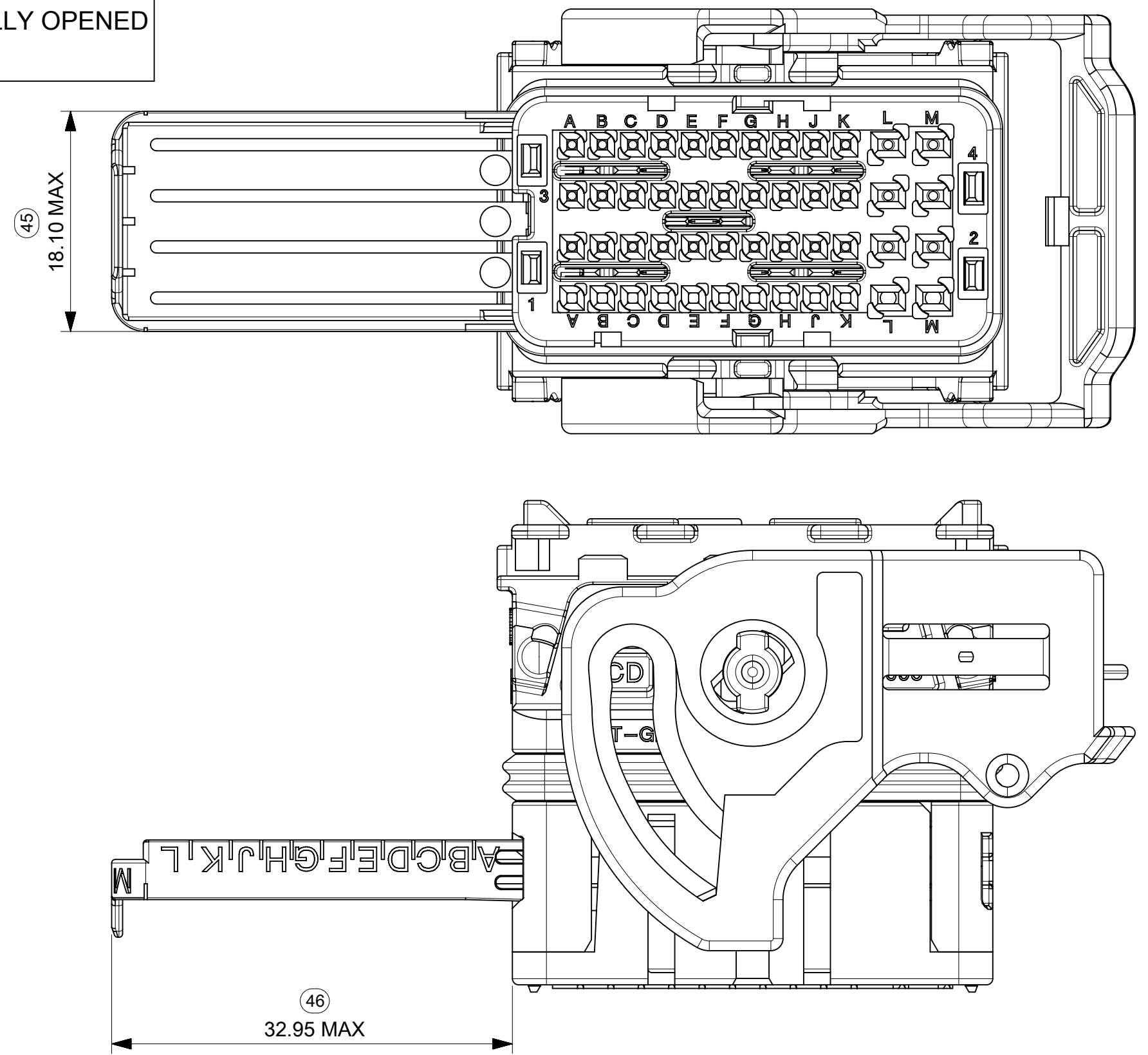
MARKINGS:

- Assembled part tracability: Year + Day
- Terminal cavities identification
- Lever position indicator: "D" LETTER VISIBLE = "RIGHT WIRE OUTPUT" "G" LETTER VISIBLE = "LEFT WIRE OUTPUT"
- Supplier identification
- Material identification

THIS DRAWING CONTAINS INFORMATION THAT IS PROPRIETARY TO MOLEX ELECTRONIC TECHNOLOGIES, LLC AND SHOULD NOT BE USED WITHOUT WRITTEN PERMISSION		CURRENT REV DESC: NX RE-MASTERING			
DIMENSION UNITS	SCALE	EC NO: 627963			
mm	2.5:1	DRWN: PBOSQUAIN 2019/11/06		CMC CONNECTOR 36 WAY MAT SEAL VERSION	
GENERAL TOLERANCES (UNLESS SPECIFIED)		CHK'D: CBOUCHAN 2020/01/22			
ANGULAR TOL	± 2.0°	APPR: SLAFAURE 2020/01/23		PRODUCT CUSTOMER DRAWING	
4 PLACES	±	INITIAL REVISION:		DOCUMENT NUMBER	
3 PLACES	±	DRWN: PBOSQUAIN 2019/11/06		643200003	
2 PLACES	± 0.1	APPR: SLAFAURE 2020/01/23		DOC TYPE DOC PART REVISION	
1 PLACE	± 0.1	SERIES		PSD 000 A	
0 PLACES	±	DRAWING		MATERIAL NUMBER	
DRAFT WHERE APPLICABLE MUST REMAIN WITHIN DIMENSIONS		FIRST ANGLE PROJECTION		CUSTOMER	
		DRAWING		GENERAL MARKET	
		SERIES		SHEET NUMBER	
		A1-SIZE 64320		1 OF 2	

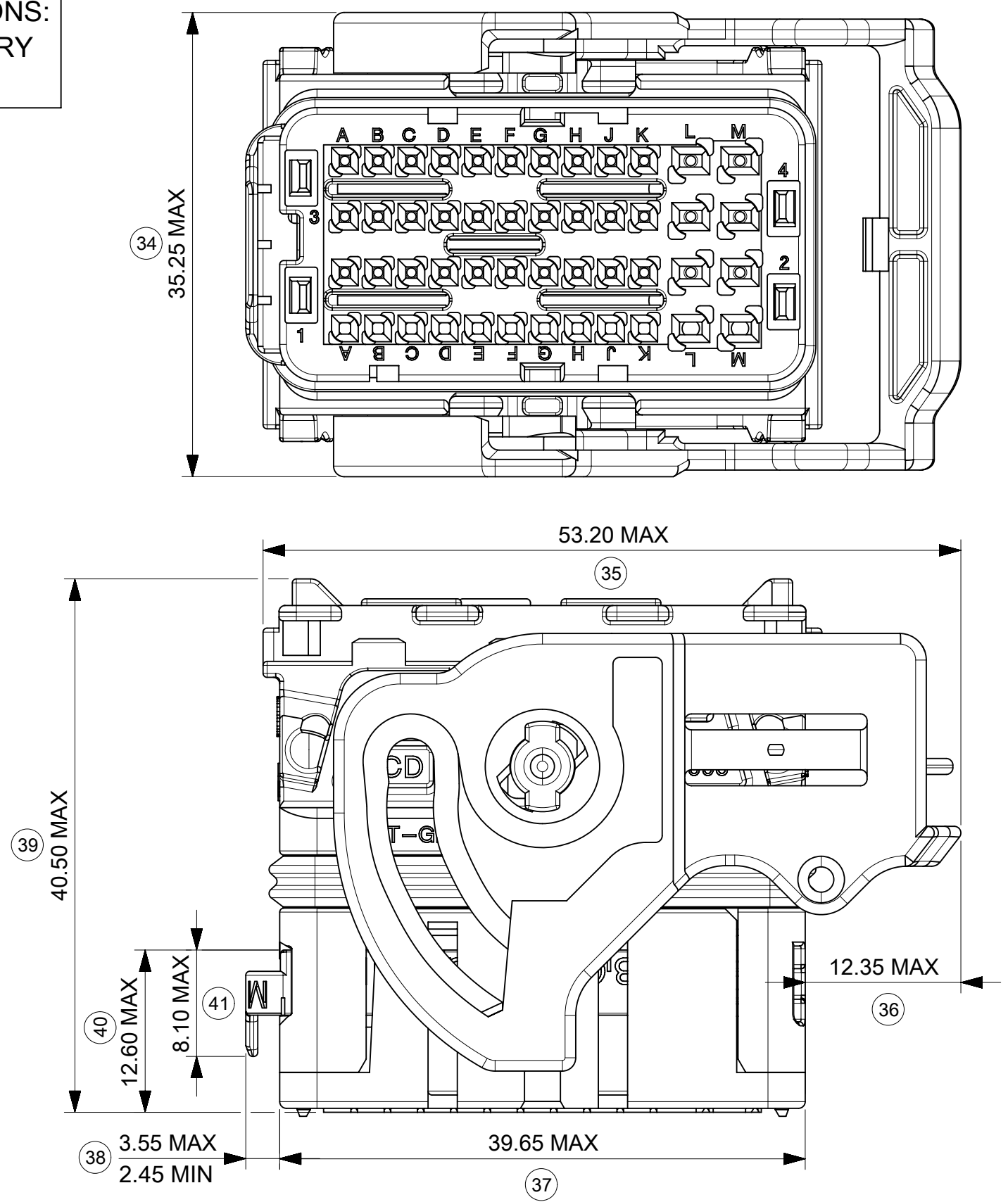
CONNECTOR OVERALL DIMENSIONS:
SECONDARY LOCKING FULLY OPENED
FOR TERMINAL INSERTION

RIGHT WIRE OUTPUT

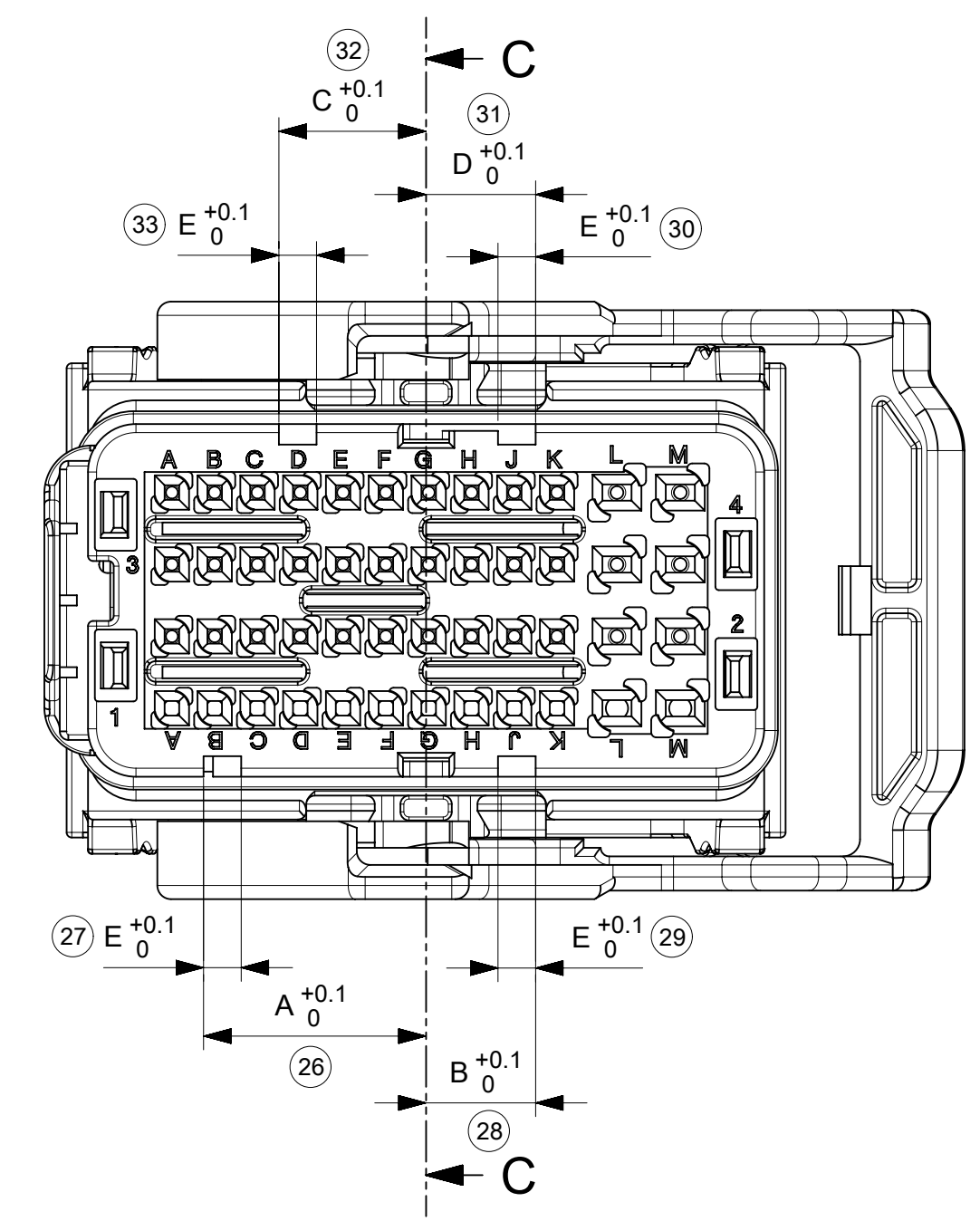


CONNECTOR OVERALL DIMENSIONS:
SECONDARY LOCKING IN DELIVERY
POSITION

RIGHT WIRE OUTPUT

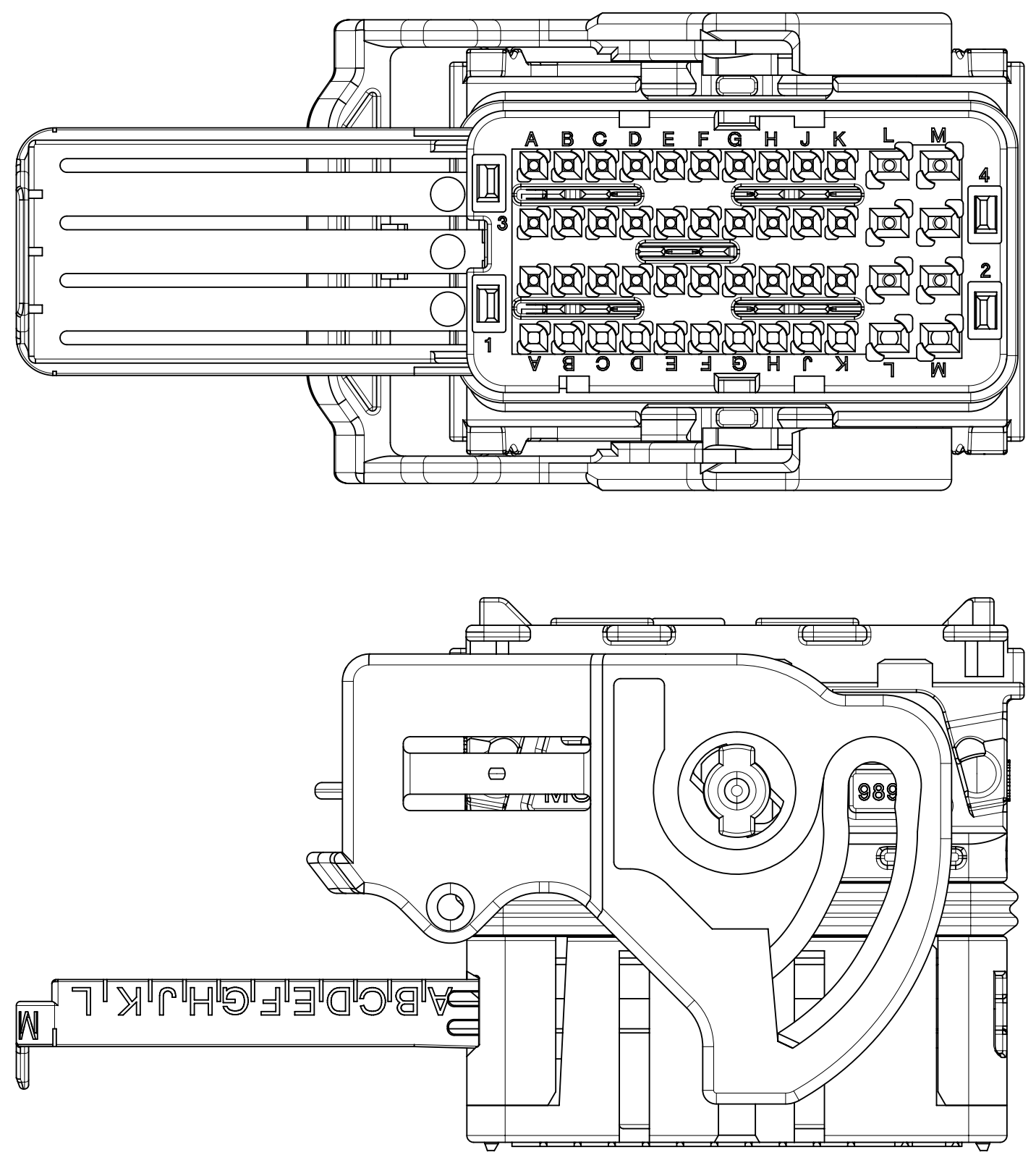


CODING POSITION



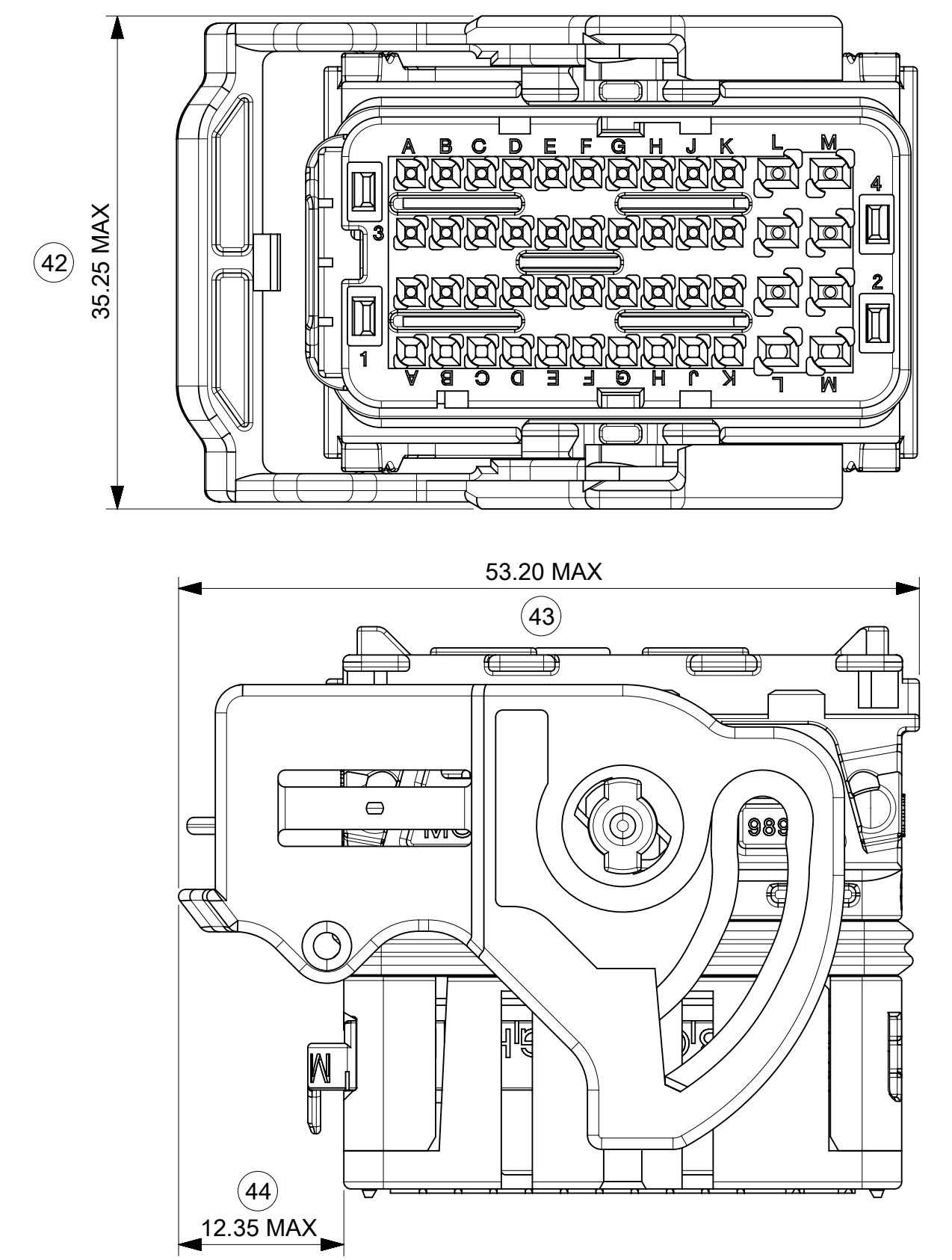
CONNECTOR OVERALL DIMENSIONS:
SECONDARY LOCKING FULLY OPENED
FOR TERMINAL INSERTION

LEFT WIRE OUTPUT

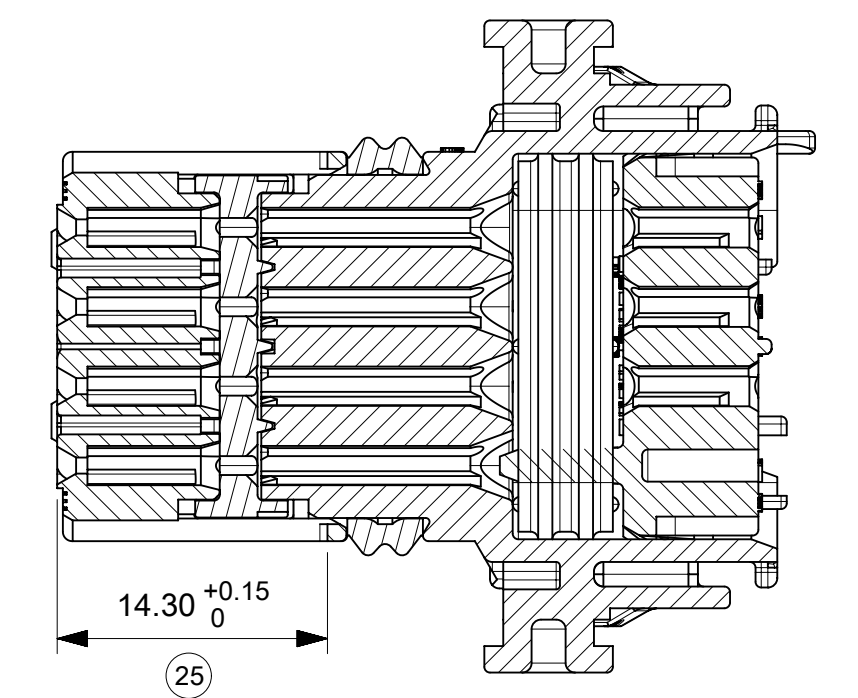


CONNECTOR OVERALL DIMENSIONS:
SECONDARY LOCKING IN DELIVERY
POSITION

LEFT WIRE OUTPUT



SECTION C-C
WITHOUT LOCKING LEVER

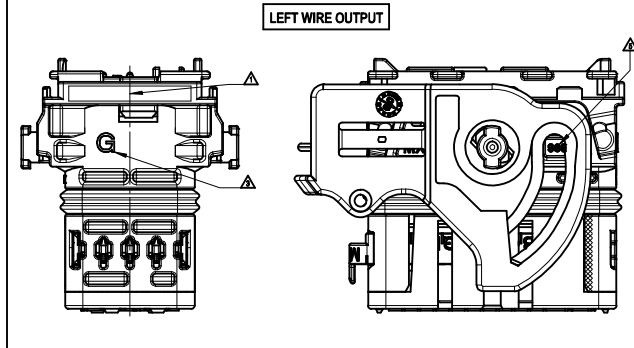
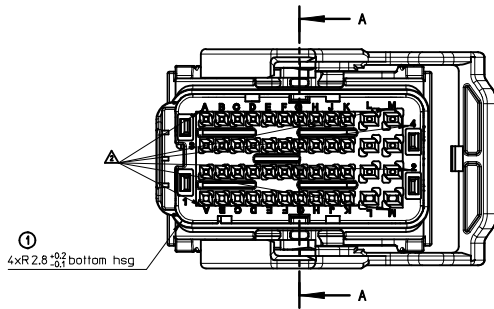


COLOR	CODING	A	B	C	D	E
BLACK	1	13	6.4	8.6	6.4	2.2
GREY	2	10.8	8.6	13	8.6	2.2
BROWN	3	8.6	10.8	13	13	2.2
GREEN	4	10.8	13	6.4	6.4	2.2

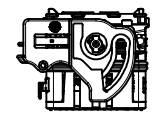
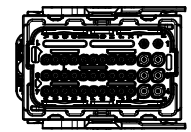
TERMINALS USED				
CAVITY N°	FEMALE TERMINALS (Section mm2)	PLATING	MOLEX P/N	min / MAX WIRE INSULATION DIAMETER (mm)
A2 to A4 B2 to B4 C2 to C4 D2 to D4 E2 to E4 F2 to F4 G2 to G4 H2 to H4 J2 to J4 K2 to K4	CP 0.6 0.35mm2	Tin plated	0643221019	∅1.25 min / ∅1.40 Max
		Gold plated	0643221229	
	CP 0.6 0.5mm2	Tin plated	0643221039	∅1.40 min / ∅1.70 Max
		Gold plated	0643221239	
L2 to L4 M2 to M4	CP 0.6 0.75mm2	Tin plated	0643221029	∅1.60 min / ∅1.90 Max
		Gold plated	0643221219	
	CP 1.5 0.5mm2 to 1mm2	Tin plated	0643231029	∅1.40 min / ∅2.15 Max
		Gold plated	0643231319	
CP 1.5 >1mm2 to 2mm2	Tin plated	0643231039	∅2.10 min / ∅2.80 Max	
	Gold plated	0643231219		

THIS DRAWING CONTAINS INFORMATION THAT IS PROPRIETARY TO MOLEX ELECTRONIC TECHNOLOGIES, LLC AND SHOULD NOT BE USED WITHOUT WRITTEN PERMISSION

DIMENSION UNITS	SCALE	CURRENT REV DESC: NX RE-MASTERING				
mm	2.5:1					
GENERAL TOLERANCES (UNLESS SPECIFIED)		EC NO: 627963		CMC CONNECTOR 36 WAY MAT SEAL VERSION		
ANGULAR TOL ± 2.0°		DRWN: PBOSQUAIN 2019/11/06				
4 PLACES ±		CHK'D: CBOUCHAN 2020/01/22		PRODUCT CUSTOMER DRAWING		
3 PLACES ±		APPR: SLAFAURE 2020/01/23				
2 PLACES ± 0.1		INITIAL REVISION:		DOCUMENT NUMBER 643200003		
1 PLACE ± 0.1		DRWN: PBOSQUAIN 2019/11/06				
0 PLACES ±		APPR: SLAFAURE 2020/01/23		MATERIAL NUMBER SEE TABLE		
DRAFT WHERE APPLICABLE MUST REMAIN WITHIN DIMENSIONS		FIRST ANGLE PROJECTION	DRAWING			
			A1-SIZE	64320	GENERAL MARKET	2 OF 2

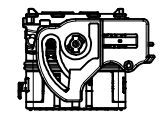


LINE N°1 CLOSED
YELLOW BACK GRID VERSION



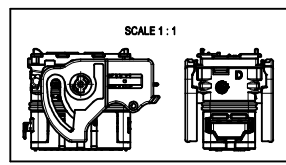
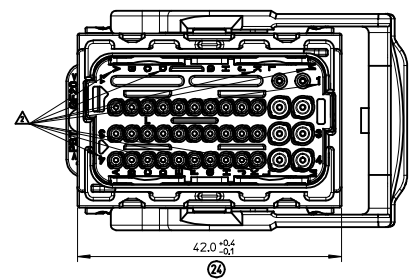
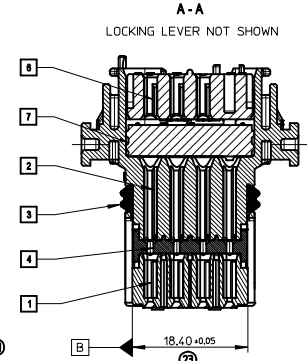
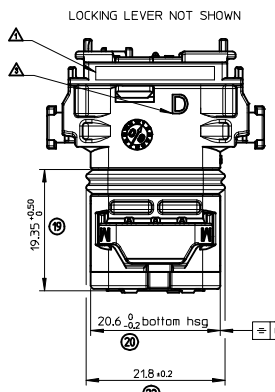
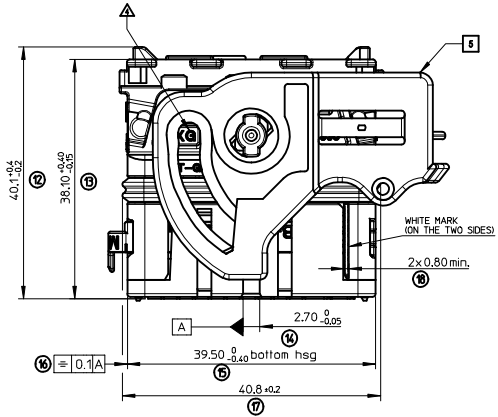
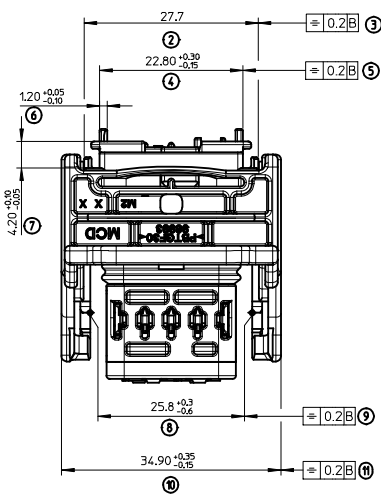
LEFT WIRE OUTPUT

MATERIAL NUMBER	COLOR
0643202311	BLACK
0643202319	BROWN



RIGHT WIRE OUTPUT

MATERIAL NUMBER	COLOR
0643204311	BLACK
0643204319	BROWN



NOTES:
 1-FOR ILLUSTRATION PURPOSE THE FEMALE HOUSING SHOWN IS: THE RIGHT WIRE OUTPUT VERSION CODING 1
 2-APPLICATION SPECIFICATION: AS-64319-002
 3-WIRES EXTERNAL DIAMETER USED: FOR CP0.6 TERMINAL: USED WIRES WITH AN EXTERNAL DIAMETER BETWEEN Ø1.25MM MIN AND Ø1.90MM MAX FOR CP15 TERMINAL: USED WIRES WITH AN EXTERNAL DIAMETER BETWEEN Ø1.0MM MIN AND Ø2.80MM MAX
 4-THE CONNECTOR FITS WITH WIRE CAP (48 WAY) MOLEX P/N 0643201901
 5-BLIND PLUG FOR 0.6 AND 15 CAVITIES (MOLEX P/N 0643251010 AND 0643251023) MUST BE USED ON THIS PART.
 6-DELIVERED PRODUCT WEIGHT: 33.8 g

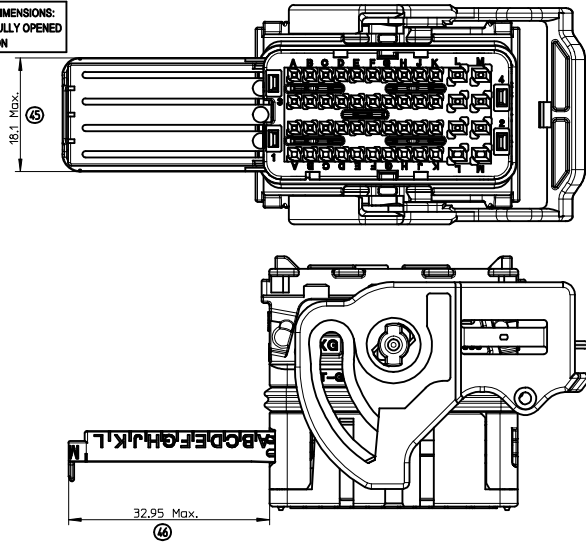
POS.	DESIGNATION	MATERIAL	COLOR
7	MAT SEAL	SILICON	RED
8	BACK GRID 36W	>PBT-GF20<	YELLOW
8	LOCKING LEVER 48W	>PBT-GF30<	BLACK
4	SECONDARY LOCK	>PBT-GF20<	GREY
8	PERIPHERAL SEAL 48W	SILICON	RED
2	BACK PART	>PBT-GF20<	BLACK
1	FRONT PART	>PBT-GF20<	COLOR LINKED TO KEYS

MARKINGS :
 ▲ - Assembled part tracability: Day + Year
 ▲ - Terminal cavities identification
 ▲ - Lever position indicator: "D" LETTER VISIBLE = Part with "LEVER ON THE RIGHT" "G" LETTER VISIBLE = Part with "LEVER ON THE LEFT"
 ▲ - Supplier identification
 ▲ - Material identification

APPL. SPEC. CHANGED LEC NO: G2016-0064 D 2015/11/30 DRYNAPLESSIS 2015/12/01 CHYKOPOURIN 2015/12/01 APPR: BOUCHAN	QUALITY SYMBOLS	GENERAL TOLERANCES (UNLESS SPECIFIED)	DIMENSION STYLE	SCALE	DESIGN UNITS	FIRST ANGLE PROJECTION
		4 PLACES ± --- ± --- 3 PLACES ± --- ± --- 2 PLACES ± 0.1 ± --- 1 PLACE ± 0.1 ± --- 0 PLACE ± 0.1 ± ---	MM ONLY	2.5:1	METRIC	☐
DRAWN BY: T. BADAROUX CHECKED BY: P. GRANDCLAUD APPROVED BY: C. BOUCHAN		DATE: 2008/05/23		TITLE: CMX CONNECTOR 36 WAY MAT SEAL VERSION		DOCUMENT NO. SD-64320-003 SHEET NO. 1 OF 2
DRAFT WHERE APPLICABLE MUST REMAIN WITHIN DIMENSIONS		SEE CHART		THIS DRAWING CONTAINS INFORMATION THAT IS PROPRIETARY TO MOLEX INCORPORATED AND SHOULD NOT BE USED WITHOUT WRITTEN PERMISSION		

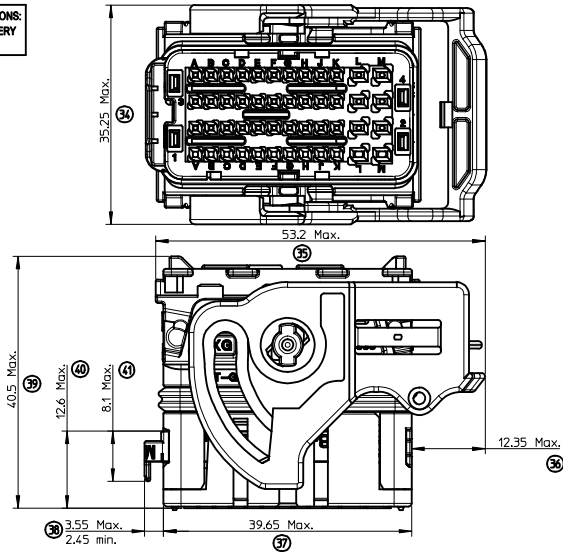
CONNECTOR OVERALL DIMENSIONS:
SECONDARY LOCKING FULLY OPENED
FOR TERMINAL INSERTION

RIGHT WIRE OUTPUT

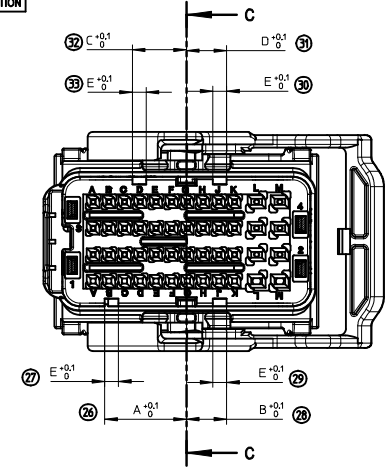


CONNECTOR OVERALL DIMENSIONS:
SECONDARY LOCKING IN DELIVERY
POSITION

RIGHT WIRE OUTPUT

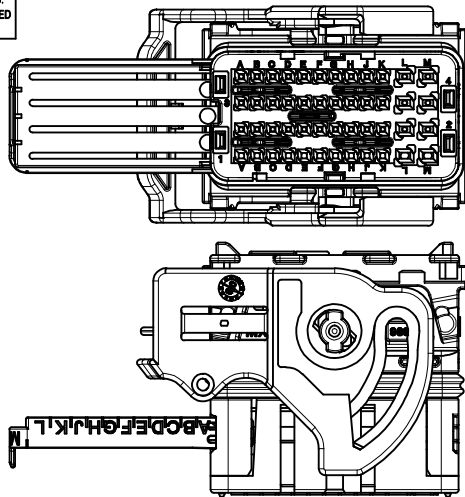


CODING POSITION



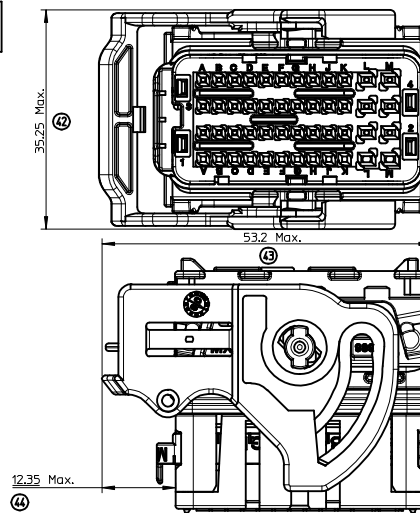
CONNECTOR OVERALL DIMENSIONS:
SECONDARY LOCKING FULLY OPENED
FOR TERMINAL INSERTION

LEFT WIRE OUTPUT

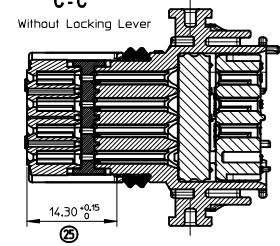


CONNECTOR OVERALL DIMENSIONS:
SECONDARY LOCKING IN DELIVERY
POSITION

LEFT WIRE OUTPUT



C - C
Without Locking Lever



COLOR	KEYING	A	B	C	D	E
BLACK	1	13	6.4	8.6	6.4	2.2
GREY	2	10.8	8.6	13	8.6	2.2
BROWN	3	8.6	10.8	13	13	2.2
GREEN	4	10.8	13	6.4	6.4	2.2

TERMINALS USED

CAVITY #	FEMALE TERMINALS (Section mm2)	PLATING	MOLEX P/N	min / MAX WIRE INSULATION DIAMETER (mm)
A1 to K1 A2 to K2 A3 to K3 A4 to K4	CP 0.6 0.35mm2	Tin plated	0643221019	Ø1.25 min / Ø1.40 Max
		Gold plated	0643221229	
	CP 0.6 0.5mm2	Tin plated	0643221039	Ø1.40 min / Ø1.70 Max
		Gold plated	0643221239	
L1 to L4 M1 to M4	CP 0.6 0.75mm2	Tin plated	0643221029	Ø1.60 min / Ø1.90 Max
		Gold plated	0643221219	
	CP 1.5 0.5mm2 to 1mm2	Tin plated	0643231029	Ø1.40 min / Ø2.15 Max
		Gold plated	0643231319	
	CP 1.5 >1mm2 to 2mm2	Tin plated	0643231039	Ø2.10 min / Ø2.80 Max
		Gold plated	0643231219	

APPL. SPEC. CHANGED
EC NO: G2016-0064
2015/11/30
DRAWN: PLESSIS
CHKD: P. BOUCHAN
2015/12/01
APP. PR: BOUCHAN
2015/12/02

QUALITY SYMBOLS	GENERAL TOLERANCES (UNLESS SPECIFIED)	
	mm	INCH
4 PLACES	± 0.1	± 0.004
3 PLACES	± 0.15	± 0.005
2 PLACES	± 0.2	± 0.008
1 PLACE	± 0.3	± 0.012
0 PLACE	± 0.4	± 0.015

ANGULAR ± 2°
DRAFT WHERE APPLICABLE
MUST REMAIN WITHIN DIMENSIONS

DIMENSION STYLE		SCALE	DESIGN UNITS	FIRST ANGLE PROJECTION
MM ONLY	2.5:1	METRIC		

DRAWN BY: T. BADAROUX
DATE: 2008/05/23
CHECKED BY: P. GRANDCLAUD
DATE: 2008/05/23
APPROVED BY: C. BOUCHAN
DATE: 2008/05/23
MATERIAL NO.
SEE SHEET 1

TITLE: CMC CONNECTOR 36 WAY MAT SEAL VERSION
DOCUMENT NO: SD-64320-003
SHEET NO: 2 OF 2

molex

THIS DRAWING CONTAINS INFORMATION THAT IS PROPRIETARY TO MOLEX INCORPORATED AND SHOULD NOT BE USED WITHOUT WRITTEN PERMISSION