



Right Angle Dust Proof Tactile

Specifications

Electrical Ratings	50mA @ 48VDC	Actuator Travel	.45 ± .1mm
Electrical Life	100,000 cycles typical 1,000,000 cycles typical*	Dielectric Strength	250Vrms min
Contact Resistance	<50mΩ initial	Insulation Resistance	>100MΩ min
Actuation Force	160 ± 50gF 200 ± 50gF 260 ± 50gF 520 ± 50gF	Operating Temperature	-40°C to 85°C
		Storage Temperature	-55°C to 90°C

*stainless steel dome only

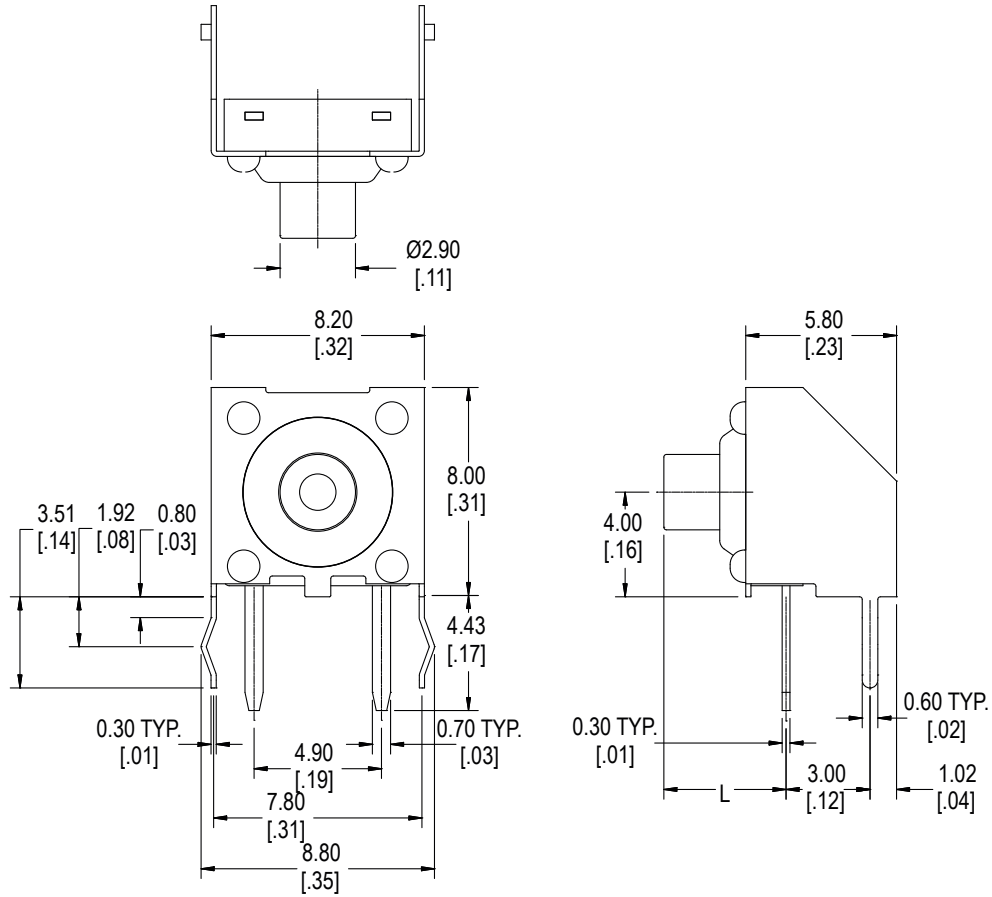
Materials

Actuator	Polybutylene Terephthalate (PBT)
Housing	Polybutylene Terephthalate (PBT)
Cover	Stainless Steel
Contacts	Stainless Steel, Silver Plated
Terminals	Brass, Silver Plated

Ordering Information

1. Series	STV	4.35	L	F160	Q
STV					
2. Actuator Length					
4.35 = 4.35mm					
8.35 = 8.35mm					
3. Contact Options					
L = Stainless Steel					
4. Actuation Force					
F160 = F160gF					
F200 = F200gF					
F260 = F260gF					
F520 = F520gF					
5. Contact Material					
Q = Silver					

Dimensions



Schematic & PC Layout

