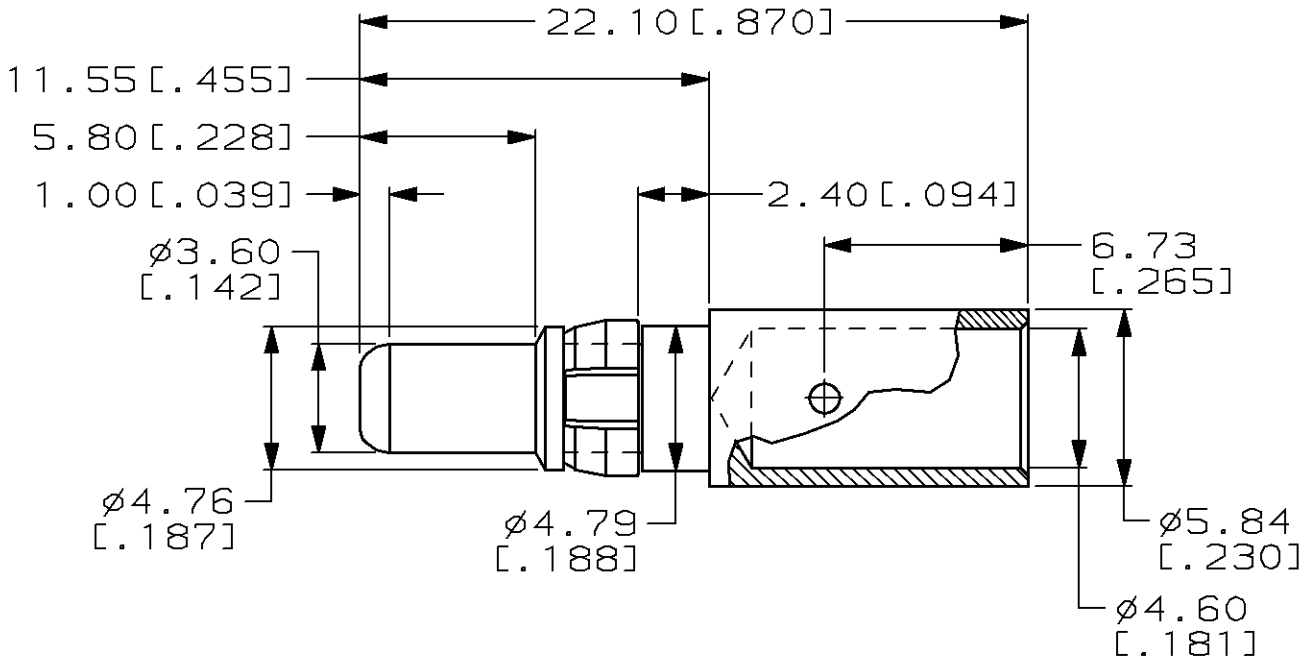


LOC AD	DIST 25	REVISIONS				
P	LTR	DESCRIPTION	DATE	DWN	APVD	
	0	DRAWN	-	-	-	

1. WIRE BARREL WILL ACCEPT 8 AWG WIRE.
2. MATES WITH PART NUMBER 148432-1.
3. RECOMMENDED CRIMPING TOOL: DANIELS TOOL #M300-BT, POSITIONER PART NUMBER SP689, SETTING #7, STRIP LENGTH 8.13 [.320].



RELEASED FOR PUBLICATION

THIS DRAWING IS UNPUBLISHED.

ALL RIGHTS RESERVED. BY AMP INCORPORATED. COPYRIGHT 19

0.00076 [.000030] GOLD	CONTACT; BERYLLIUM COPPER RETAINING RING; BERYLLIUM COPPER	148430-1
FINISH	MATERIAL	PART NUMBER

DIMENSIONS: mm	DWN L. BRINER 9/23/98	MATERIAL -	FINISH -
	CHK R. PATTERSON 9/23/98	AMP Incorporated Harrisburg, PA 17105-3608	
TOLERANCES UNLESS OTHERWISE SPECIFIED:	APVD R. PATTERSON 9/23/98		
0 PLC ±-	PRODUCT SPEC -	SIZE A4	CAGE CODE 00779
1 PLC ±-	APPLICATION SPEC -	DRAWING NO C- 148430	RESTRICTED TO -
2 PLC ±0.13 [.005]	WEIGHT -	CUSTOMER DRAWING	
3 PLC ±-		SCALE 4:1	SHEET 1 OF 1
4 PLC ±-			REV 0
ANGLES ±-			

