

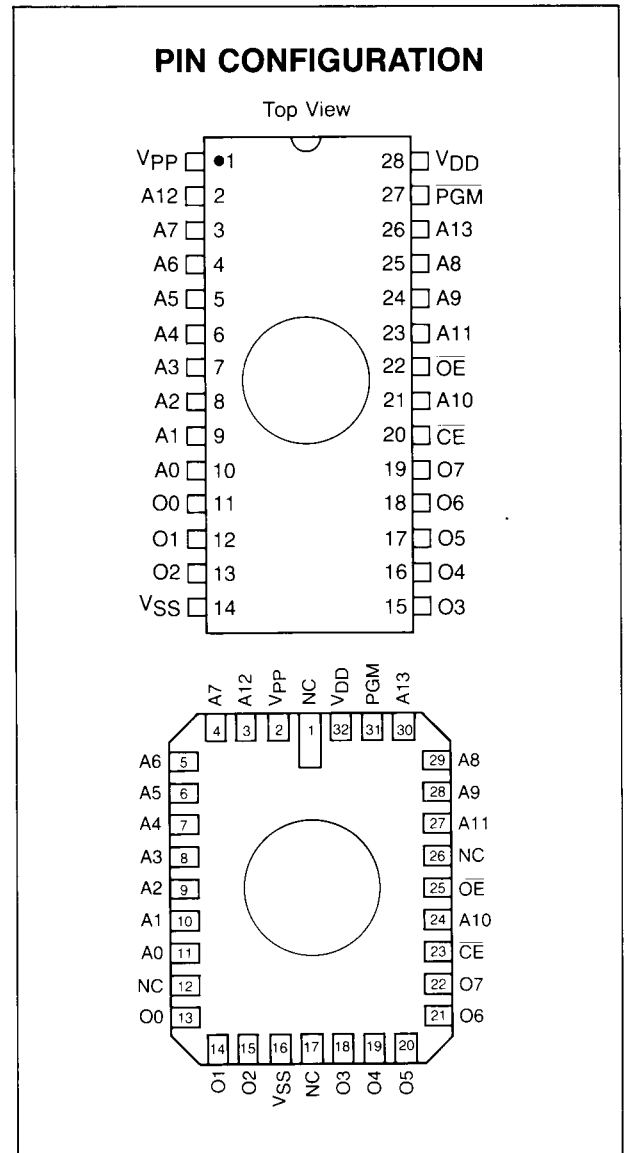
# 128K (16K x 8) CMOS (UV Erasable) PROM

## FEATURES

- High Speed Performance — 125ns maximum access time
- CMOS Design — Ultra Low Power Dissipation
  - 20mA Active Current
  - 100µA Standby Current
- Fully Static Operation, no clocks required
- All Inputs and Outputs TTL Compatible
- Auto ID™ Identification; Aids Automated Programming
- Separate Chip Enable and Output Enable Control Inputs
- Fast Programming Algorithm
- Organized 16K x 8 — JEDEC Standard Pinouts
  - 28 Pin Dual In Line Package
  - 32 Pin Leadless Chip Carrier
- Available for Extended Temperature Ranges:
  - Commercial (C) = 0° to 70°C
  - Industrial (I) = -40° to 85°C
  - Military\* (M) = -55° to +125°C

## DESCRIPTION

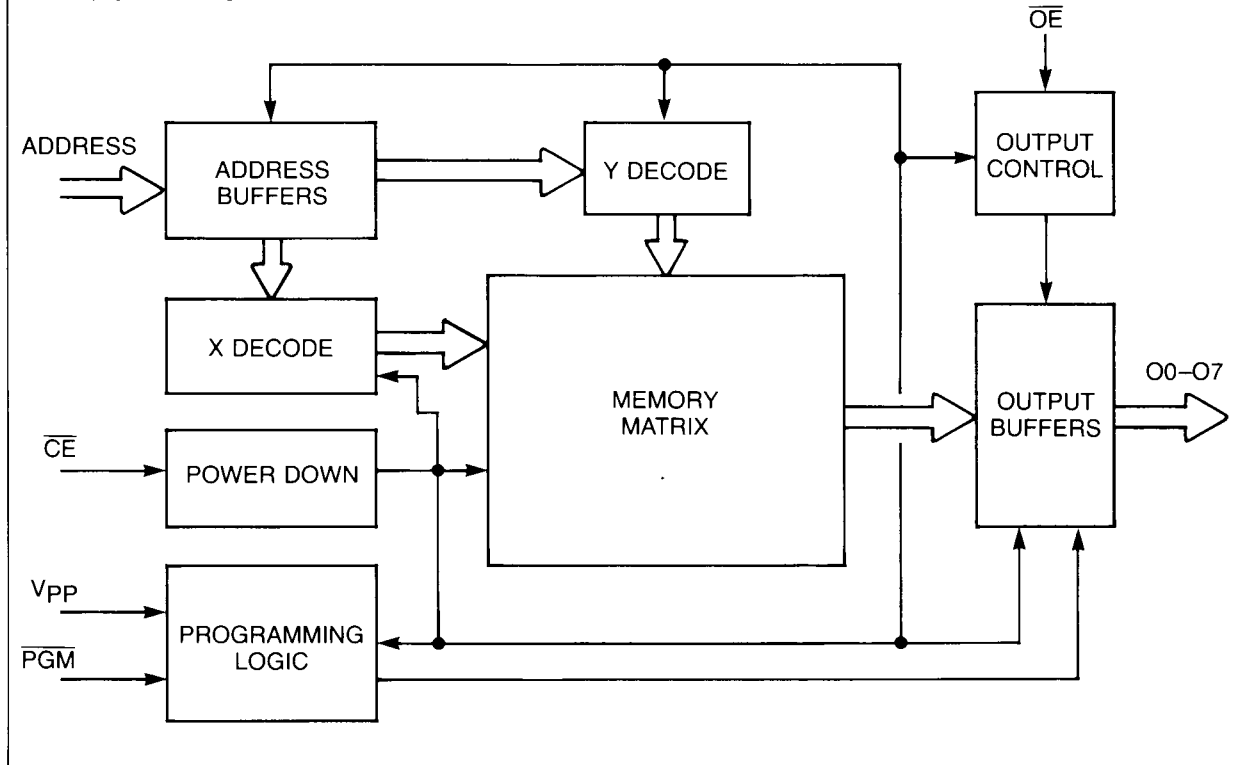
The General Instrument 27C128 is a CMOS 128K bit ultraviolet light Erasable (electrically) Programmable Read Only Memory. The device is organized as 16K words by 8 bits (16K bytes). Accessing individual bytes from an address transition or from power-up (chip enable pin going low) is accomplished in less than 125ns. This very high speed device allows the most sophisticated microprocessors to run at full speed without the need for WAIT states. The CMOS design and processing enables this part to be used in systems where reduced power consumption and enhanced reliability are requirements.



34  
5970  
les  
005970  
Omy  
GI

\*Military Version (MR) screened to MIL STD 883 Rev. C, Method 5004 Test Specification.

**BLOCK DIAGRAM**



**MODES**

MODES	CE	OE	PGM	Vpp	A9	O0-07
Read	VIL	VIL	VIH	VDD	X	Dout
Program	VIL	VIH	VIL	12V	X	Din
Program Verify	VIL	VIL	VIH	12V	X	Dout
Program Inhibit	VIH	X	X	12V	X	High Z
Standby	VIH	X	X	VDD	X	High Z
Output Disable	VIL	VIH	VIH	VDD	X	High Z
Identity	VIL	VIL	VIH	VDD	+12V	Code

## READ MODE (See Timing Diagrams and AC Characteristics)

Read mode is accessed when:

- the  $\overline{CE}$  pin is low to power up (enable) the chip.
- the  $\overline{OE}$  pin is low to gate the data to the output pins.

For Read operations, if the addresses are stable, the address access time ( $t_{ACC}$ ) is equal to the delay from  $\overline{CE}$  to output ( $t_{CE}$ ). Data is transferred to the output after a delay ( $t_{OE}$ ) from the falling edge of  $\overline{OE}$ .

## STANDBY MODE

The standby mode is defined when the  $\overline{CE}$  pin is high and a program mode is not defined.

When these conditions are met, the supply current will drop from 20mA to 100 $\mu$ A.

## OUTPUT ENABLE

This feature eliminates bus contention in multiple bus microprocessor systems and the outputs go to a high impedance when the following condition is true:

The  $\overline{OE}$  pin is high and a program mode is not defined.

## ERASE MODE

The memory matrix is erased to the all "1" 's state as a result of being exposed to ultraviolet light. To ensure complete erasure a dose of 15 watt-second /  $\text{cm}^2$  is required. This means that the device window must be placed within one inch and directly underneath an ultraviolet lamp with a wavelength of 2537 Angstroms and intensity of 12,000 $\mu$ W/ $\text{cm}^2$  for 20 minutes.

## PROGRAMMING MODE

Programming takes place when both:

- $V_{PP}$  is  $12.5 \pm .5V$  and
- The  $\overline{CE}$  pin is low.
- The  $\overline{PGM}$  pin is low.

Since the erased state is "1" in the array, programming of "0" is required. The address to be programmed is set via A0–A13 and the data to be programmed is presented to O0–O7. When data and address are stable,  $\overline{CE}$  is low, a low going pulse on the  $\overline{PGM}$  line programs that location. The fast programming technique will be accepted by the chip.

A 1-msec programming pulse will be given and the byte then verified. If the byte failed to verify, apply another 1-msec programming pulse and check the byte again. Continue applying 1-msec pulses until either the byte verifies or 25 pulses have been applied. If 25 pulses are applied and byte still does not verify, fail the device. After the byte verifies, a single pulse of a width three times the number of 1-msec pulses previously given will be applied; i.e., the minimum overprogramming pulse for each byte will be  $3 \times 1$  msec, the maximum being  $(3 \times 25)$  75 msec.

## VERIFY

After the array has been programmed it must be verified to ensure all the bits have been correctly programmed. This mode is entered when all the following conditions are met:

- $V_{PP}$  is  $12.5 \pm 5V$
- the  $\overline{OE}$  line is low
- the  $\overline{PGM}$  line is high
- the  $\overline{CE}$  line is low.

**INHIBIT**

When programming multiple devices in parallel with different data, only  $\overline{CE}$  need be under separate control to each device. By pulsing the  $\overline{PGM}$  line low on a particular device, that device will be programmed, all other devices with  $\overline{CE}$  held high will not be programmed with the data although address and data will be available on their input pins, i.e. when a high level is present on  $\overline{CE}$  or  $\overline{PGM}$ , the device is inhibited from programming.

**MANUFACTURERS IDENTITY**

In this mode specific data is outputted identifying the manufacturer as General Instrument, device type, where manufactured, etc. This mode is entered when pin (A9) is taken up to between 11.5–12.5V. The row x decoders become disabled internally and the ROM data can be outputted. The  $\overline{CE}$  and  $\overline{OE}$  lines must be at  $V_{IL}$ . A0 is used to access any of the two non-erasable bytes whose data appears on O0 through O7. The General Instrument identify code is as follows:

The General Instrument identity code is as follows:

Identity	Pin	A0	O7	O6	O5	O4	O3	O2	O1	O0	Hex Code
Manufacturer		$V_{IL}$	0	0	1	0	1	0	0	1	29
Device Type		$V_{IH}$	1	0	0	0	0	0	1	1	83

\*Code subject to change.

**ELECTRICAL CHARACTERISTICS  
Maximum Ratings\***

$V_{DD}$ and input voltages w.r.t. $V_{SS}$ . . . . .	-0.6 to +6.25V
$V_{PP}$ voltage w.r.t. $V_{SS}$ during programming . . . . .	-0.6 to +14V
Voltage on A9 w.r.t. $V_{SS}$ . . . . .	-0.6 to +13.5V
Storage temperature . . . . .	-65°C to +150°C
Ambient temperature with power applied. . . . .	-65°C to +125°C

**Set Up Conditions for DC Characteristics (Read Operation)**

$V_{DD} = +5V \pm (10\%)^1$
$T_{AMB}$ : Commercial (C) = 0°C to 70°C
Industrial (I) = -40°C to +85°C
Military (M) = -55°C to +125°C

**\*Notice:** Stresses above those listed under "Maximum Ratings" may cause permanent damage to the device. This is a stress rating only and functional operation of the device at those or any other conditions above those indicated in the operational listings of this specification is not implied. Exposure to maximum rating conditions for extended periods may affect device reliability.

**DC CHARACTERISTICS (READ OPERATION)**

PARAMETER	SYM	MIN	MAX	UNITS	CONDITIONS
Inputs					
Address lines A0–A13					
Data lines (program mode) O0–O7					
$\overline{CE}$ & $\overline{OE}$					
Logic "1"	$V_{IH}$	2.0	$V_{DD} + 1$	V	
Logic "0"	$V_{IL}$	-0.1	0.8	V	
Leakage	$I_{IL}$	-10	10	$\mu A$	$V_{IN} = 0$ to $V_{DD}$
Input Capacitance	$C_{IN}$		6	pF	$V_{IN} = 0V$ , $T_{AMB} = 25^\circ C$ , $f = 1MHz$
Outputs					
In read/verify mode O0–O7					
Logic "1"	$V_{OH}$	2.4		V	$I_{OH} = -400\mu A$
Logic "0"	$V_{OL}$		0.45	V	$I_{OL} = 2.1mA$
Leakage	$I_{OL}$	-10	10	$\mu A$	$V_{OUT} = 0$ to $V_{DD}$
Output Capacitance	$C_{OUT}$		12	pF	$V_{OUT} = 0V$ , $T_{AMB} = 25^\circ C$ , $f = 1MHz$
Power Supply Current					
$I_{DD}$ Active (TTL Inputs)	$I_{DD}$		20	mA	$V_{DD} = 5.5V$ , $V_{PP} = V_{DD}$ , $\overline{OE} = \overline{CE} = V_{IL}$ , $T_{AMB} = 0^\circ C$ to $70^\circ C$ , $V_{IL} = -0.1V$ to $0.8V$ , $V_{IH} = 2.0V$ to $V_{DD}$
$I_{DD}$ Active (TTL Inputs) (Extended Temp. Range)	$I_{DD}$		25	mA	$V_{DD} = 5.5V$ , $V_{PP} = V_{DD}$ , $\overline{OE} = \overline{CE} = V_{IL}$ , $T_{AMB} = -55^\circ C$ to $125^\circ C$ , $V_{IL} = -0.1V$ to $0.8V$ , $V_{IH} = 2.0V$ to $V_{DD}$
$I_{DD}$ Standby (TTL Inputs)	$I_{DD(S)TTL}$		2	mA	$\overline{CE} = V_{IH}$
$I_{DD}$ Standby (TTL Inputs) (Extended Temperature Range)	$I_{DD(S)TTL}$		3	mA	$\overline{CE} = V_{IH}$ $T_{AMB} = -55^\circ C$ to $125^\circ C$
$I_{DD}$ Standby (CMOS Inputs)	$I_{DD(S)CMOS}$		100	$\mu A$	$\overline{CE} = V_{DD} \pm 0.2V$
$I_{PP}$ (Read Mode)			100	$\mu A$	$V_{PP} = 5.5V$
$V_{PP}$ READ VOLTAGE	$V_{PP}$	$V_{DD} - 0.7$	$V_{DD}$	V	(NOTE 1)

NOTES: 1.  $V_{DD}$  must be applied simultaneously or before  $V_{PP}$  and removed simultaneously or after  $V_{PP}$ .

**AC CHARACTERISTICS (READ OPERATION)**

AC TESTING WAVEFORM

$V_{IH} = 2.4V$  AND  $V_{IL} = 0.45V$

$V_{OH} = 2.0V$  AND  $V_{OL} = 0.8V$

Output Load = 1 TTL Load + 100pF

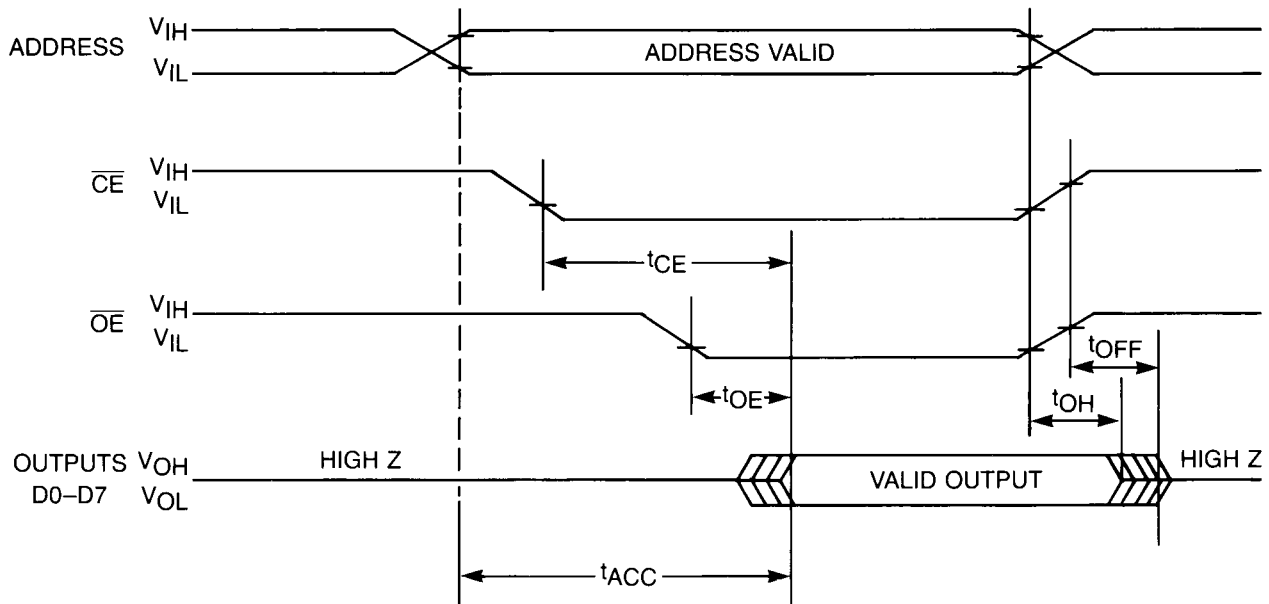
Note: 27C128-12 is only available in commercial temperature range.

$T_A$ : Commercial (C) = 0°C to 70°C

Industrial (I) = -40°C to +85°C

Military (M) = -55°C to +125°C

SYM	PARAMETER	27C128-12		27C128-15		27C128-17		27C128-20		27C128-25		UNITS	TEST CONDITIONS
		MIN	MAX	MIN	MAX	MIN	MAX	MIN	MAX	MIN	MAX		
$t_{ACC}$	Address to Output Delay		125		150		170		200		250	ns	$\overline{CE} = \overline{OE} = V_{IL}$
$t_{CE}$	$\overline{CE}$ to Output Delay		125		150		170		200		250	ns	$\overline{OE} = V_{IL}$
$t_{OE}$	$\overline{OE}$ to Output Delay		65		70		70		75		100	ns	$\overline{CE} = V_{IL}$
$t_{OFF}$	$\overline{OE}$ to O/P High Impedance	0	50	0	50		50	0	55	0	60	ns	$\overline{CE} = V_{IL}$
$t_{OH}$	Output Hold From Address $\overline{CE}$ or $\overline{OE}$ , whichever goes first	0		0		0		0		0		ns	$\overline{CE} = \overline{OE} = V_{IL}$



**DC PROGRAMMING CHARACTERISTICS**
 $T_A = 25 \pm 5^\circ\text{C}$ ,  $V_{DD} = 6.0 \pm 0.25\text{V}$ ,  $V_{PP} = 12.5 \pm 0.5\text{V}$ 

SYMBOL	PARAMETER	MIN	MAX	UNITS	CONDITIONS (SEE NOTE 1)
$I_{LI}$	Input Current (All Inputs)	-10	10	$\mu\text{A}$	$V_{IN} = V_{IL}$ or $V_{IH}$
$V_{IL}$	Input Low Level (All Inputs)	-0.1	0.8	V	
$V_{IH}$	Input High Level	2.0	$V_{DD} + 1$	V	
$V_{OL}$	Output Low Voltage During Verify		0.45	V	$I_{OL} = 2.1\text{mA}$
$V_{OH}$	Output High Voltage During Verify	2.4		V	$I_{OH} = -400\mu\text{A}$
$I_{DD2}$	$V_{DD}$ Supply Current (Program & Verify)		20	mA	
$I_{PP2}$	$V_{PP}$ Supply Current (Program)		25	mA	$\overline{CE} = V_{IL}$
$V_{ID}$	A9 Product Identification Voltage	11.5	12.5	V	

NOTES: 1.  $V_{DD}$  must be applied simultaneously or before  $V_{PP}$  and removed simultaneously or after  $V_{PP}$ .

**AC CHARACTERISTICS**

Conditions: 25°C ± 5°C, V<sub>DD</sub> = 6.0 ± 0.25V, V<sub>PP</sub> = 12.5 ± 0.5V

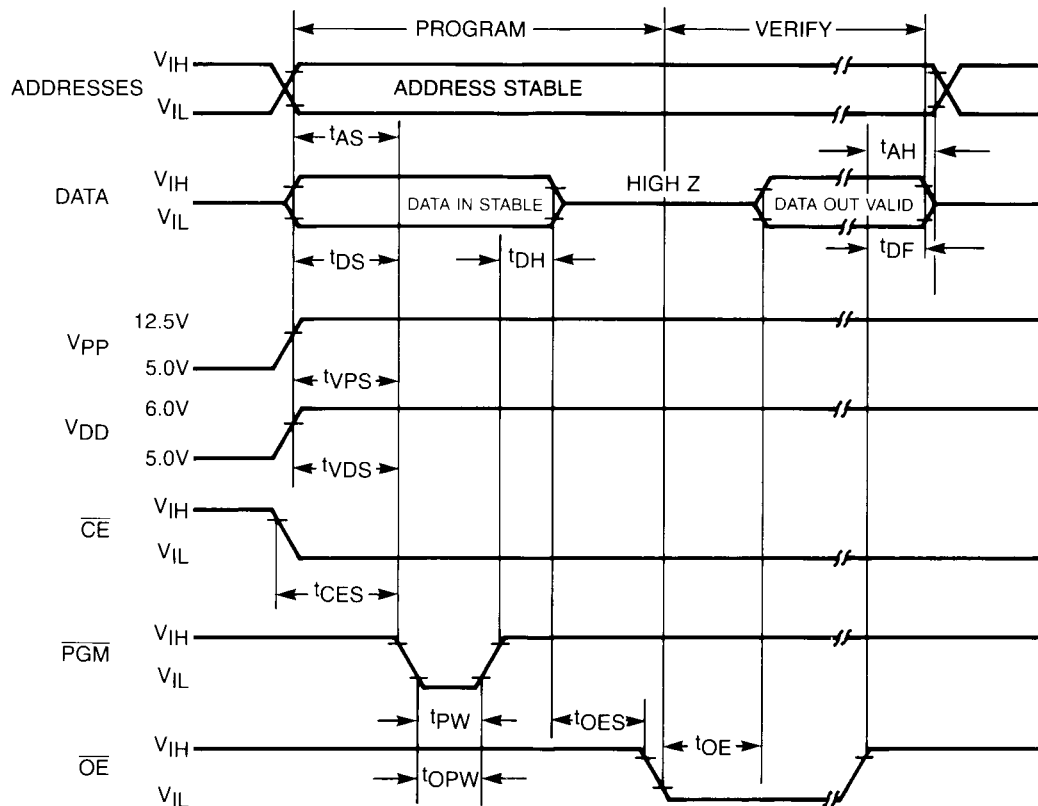
Program, Program Verify, and Program Inhibit Modes

PARAMETER	SYM	MIN	TYP	MAX	UNITS
Address Setup-Up Time	t <sub>AS</sub>	2			μs
Data Set-Up Time	t <sub>DS</sub>	2			μs
Data Hold Time	t <sub>DH</sub>	2			μs
Address Hold Time	t <sub>AH</sub>	0			μs
Float Delay	t <sub>DF</sub>	0		130	ns
V <sub>DD</sub> Set-Up Time	t <sub>VDS</sub>	2			μs
Program Pulse Width <sup>1</sup>	t <sub>PW</sub>	0.95	1	1.05	ms
$\overline{CE}$ Set-Up Time	t <sub>CES</sub>	2			μs
$\overline{OE}$ Set-Up Time	t <sub>OES</sub>	2			μs
V <sub>pp</sub> Set-Up Time	t <sub>VPS</sub>	2			μs
Overprogram Pulse Width <sup>2</sup>	t <sub>OPW</sub>	2.85		78.75	ms
Data valid from $\overline{OE}$	t <sub>OE</sub>			100	ns

NOTES: 1. Initial program pulse width tolerance is 1 msec ± 5%.

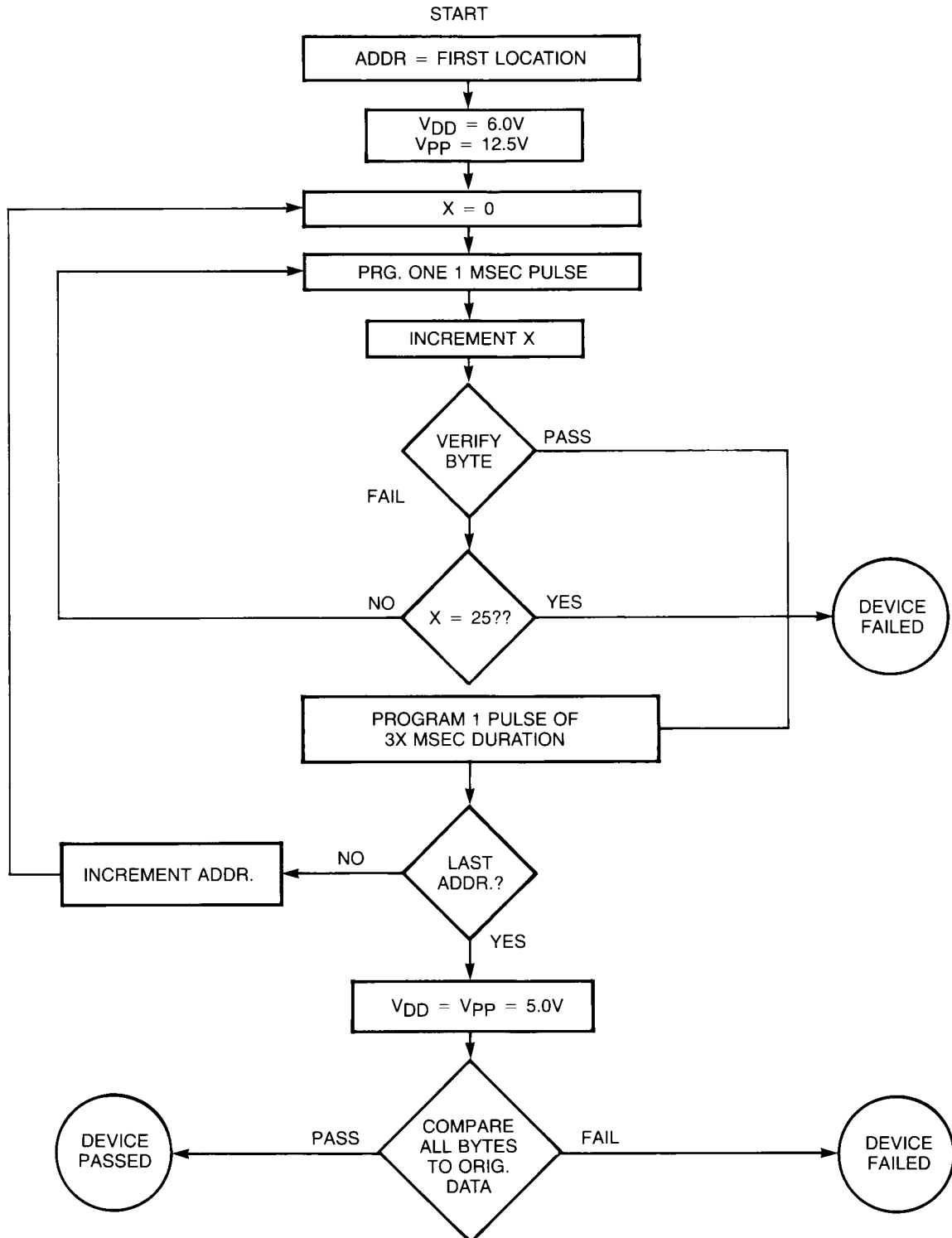
2. The length of the overprogram pulse may vary from 2.85 to 78.75 msec as a function of the iteration counter value.

**PROGRAM MODE**





FAST PROGRAMMING ALGORITHM

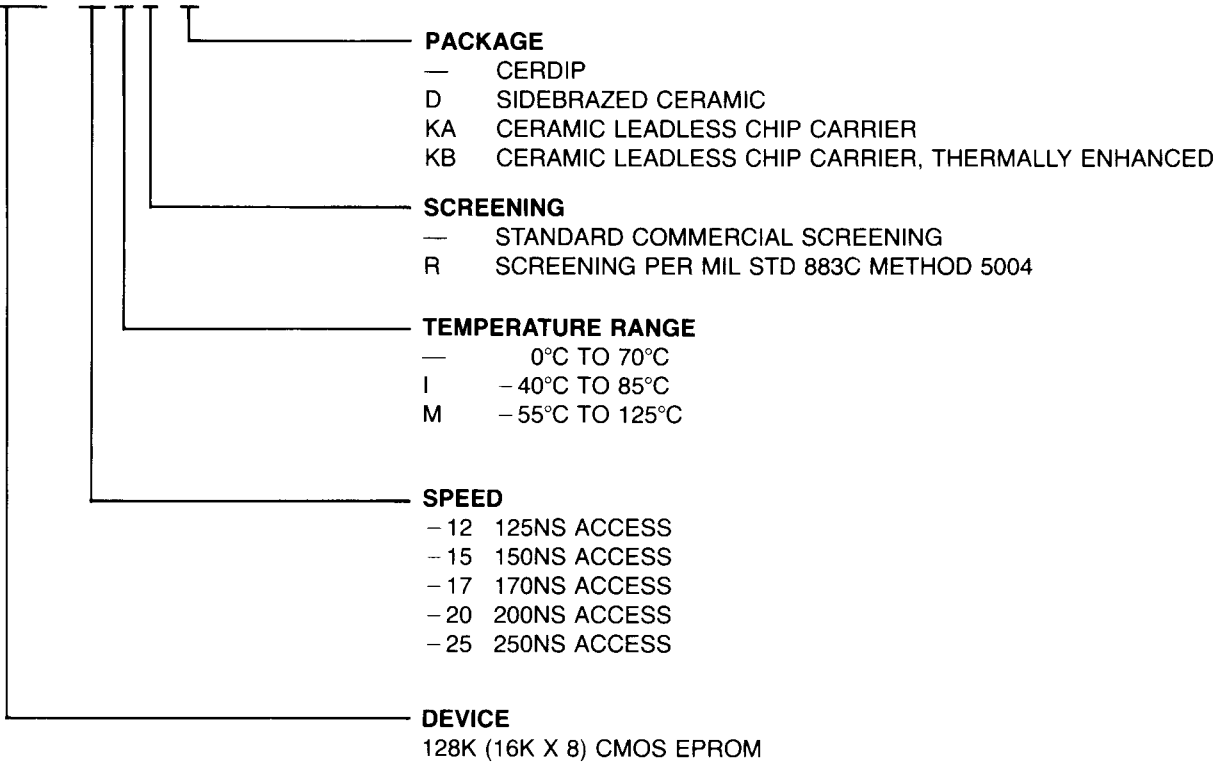


---

---

**ORDER INFORMATION**

**27C128 - 25 M R / K**



---

**Microelectronics Division/Worldwide Sales Offices**

Printed in U.S.A. ©27C128-8607

---

**Sales Offices USA:** AZ, 602-963-7373 CA, 818-789-0952 or 408-496-0844; FL, 813-894-3273; IL, 312-981-0040; IN, 317-841-9328; MA, 617-938-5890/91; NC, 919-828-0317; NJ, 201-254-5024; TX, 214-934-1654; **EUROPE:** London, Ruislip, (08956), 36141; Milano, (2) 498 73 62; Muenchen, (089) 95997-35; Paris, (1) 43-74-9134; **ASIA:** Hong Kong, (3) 722-6577; Osaka, (06) 375-0606; Seoul, (2) 739-8543; Singapore, (65) 344-4711; Taipei, (2) 914-6234; Tokyo, (03) 437-0281

"The information in this publication, including schematics, is suggestive only. General Instrument Corporation does not warrant, nor will be responsible or liable for, (a) the accuracy of such information, (b) its use or (c) any infringement of patents or other rights of third parties."

**GENERAL  
INSTRUMENT**