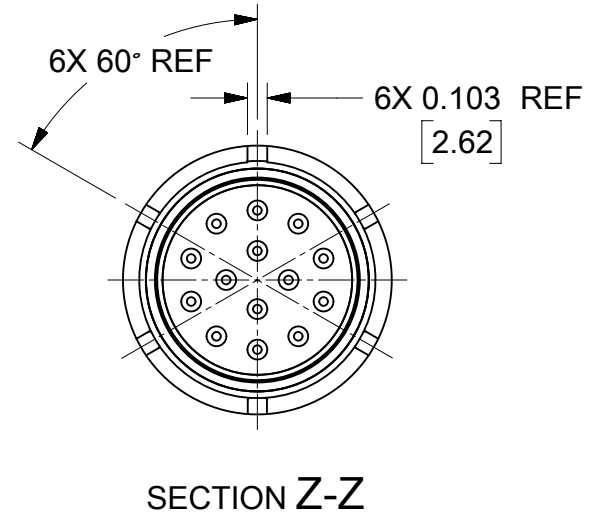
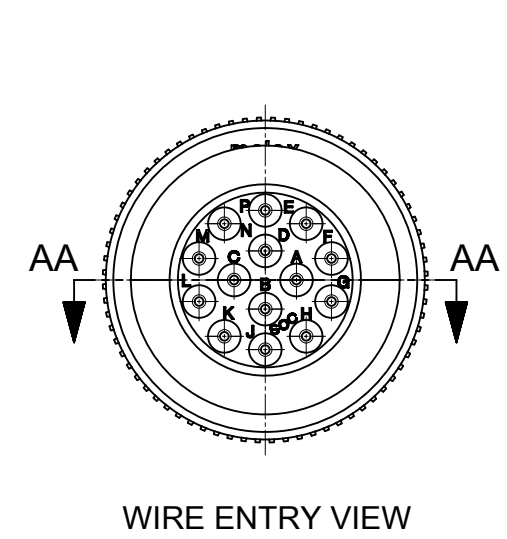
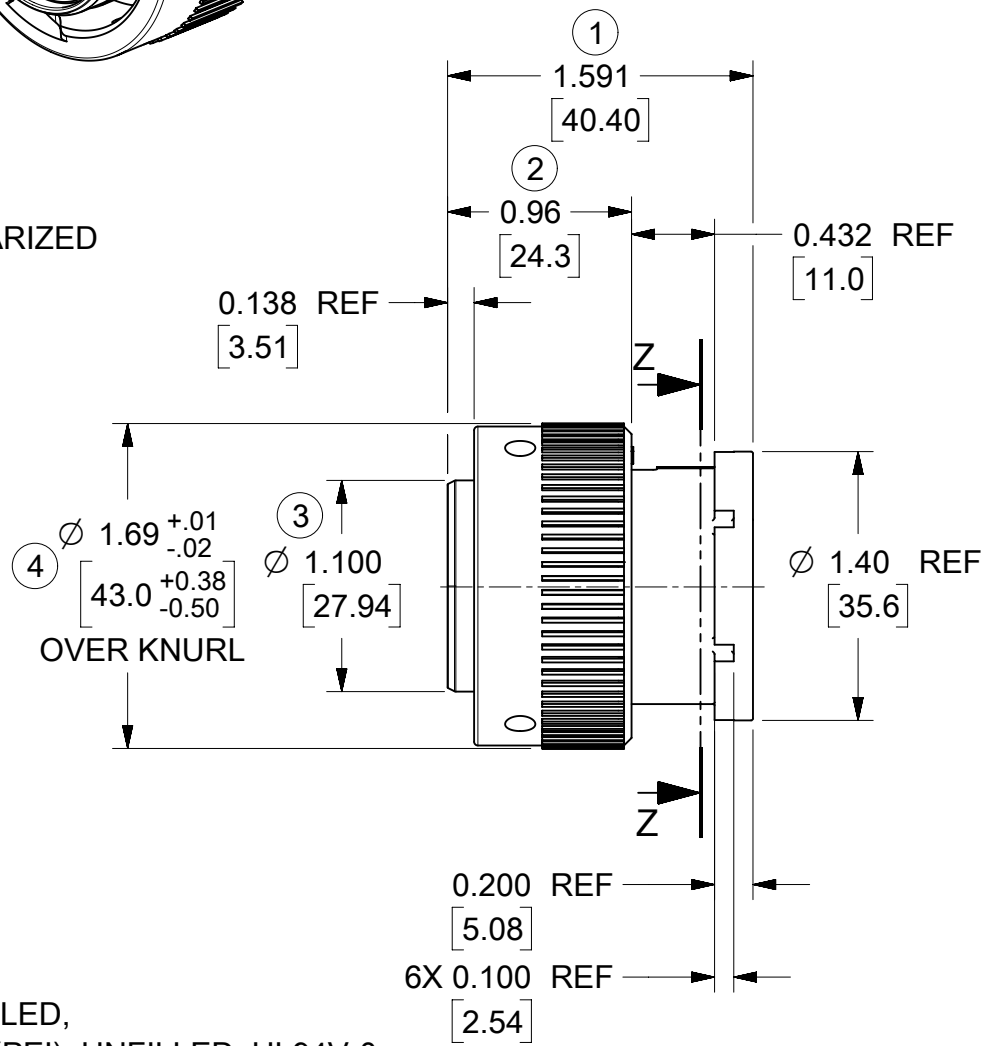
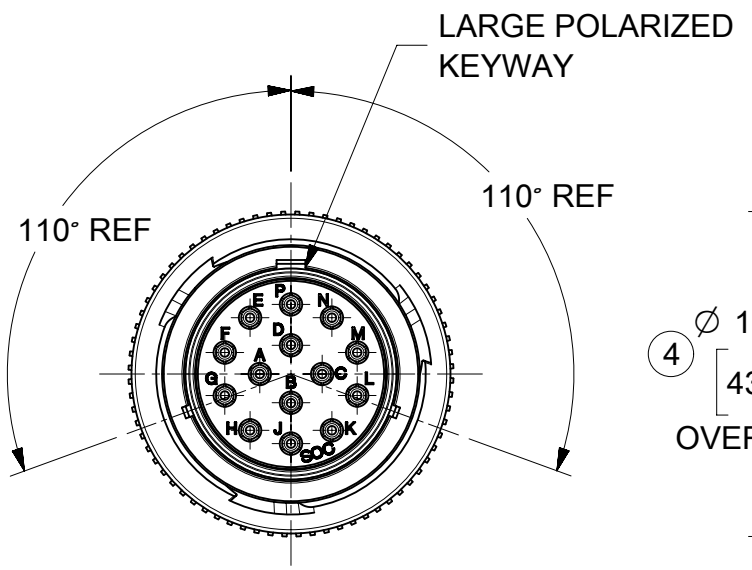
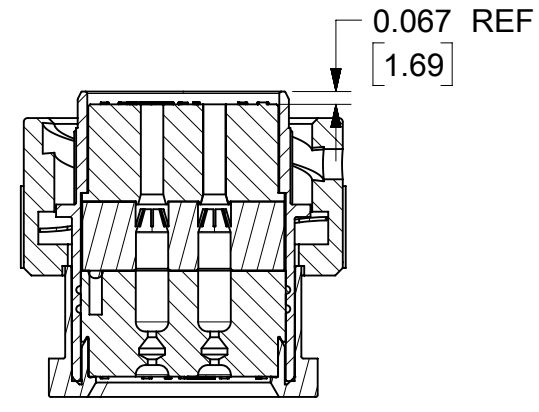
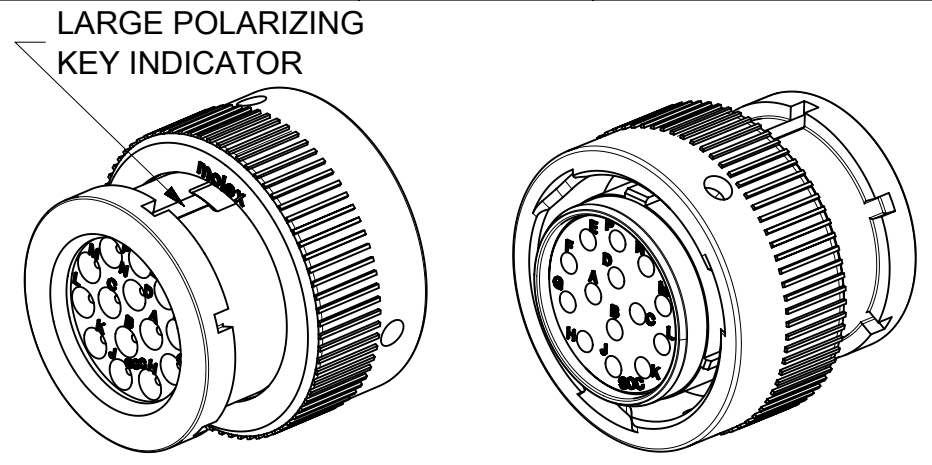


10	9	8	7
MATERIAL NUMBER	WIRE AWG	INSUL DIA O.D.	
845070012	18-14	.053[1.35] - .134[3.40]	



- NOTES:
- MATERIALS:  
HOUSINGS: POLYESTER (PBT), GLASS FILLED, UL94V-0 & POLYETHERIMIDE (PEI), UNFILLED, UL94V-0.  
COLOR: UNLESS OTHERWISE SPECIFIED: BLACK  
SEALS: SILICONE RUBBER  
COLOR: RUST RED
  - PRODUCT SPECIFICATION: PS-84501-001.
  - MATES WITH: SERIES 84502 RECEPTACLE CONNECTOR.
  - USE CONNECTOR WITH FEMALE CRIMP TERMINAL SERIES 84525.

LAST INSPECTION NUMBER: ④

THIS DRAWING CONTAINS INFORMATION THAT IS PROPRIETARY TO MOLEX ELECTRONIC TECHNOLOGIES, LLC AND SHOULD NOT BE USED WITHOUT WRITTEN PERMISSION										
DIMENSION UNITS		SCALE		CURRENT REV DESC:						
HYBRID		1:1		<b>molex</b> PLUG CONNECTOR ASSEMBLY, 18-14 POS SOCKET TERMINALS PRODUCT CUSTOMER DRAWING EC NO: 623621 DRWN: CRAODOREMS 2017/12/15 CHK'D: IOCONNELL 2019/10/14 APPR: IOCONNELL 2019/10/16 INITIAL REVISION: DRWN: DMYRICK 2006/6/26 APPR: JPAWLICKI 2006/6/26						
GENERAL TOLERANCES (UNLESS SPECIFIED)										
	MM	INCH								
4 PLACES	±	±								
3 PLACES	±	± 0.015								
2 PLACES	±	0.38	±	0.02		DOCUMENT NUMBER				
1 PLACE	±	0.5	±			SD-84507-002		DOC TYPE	DOC PART	REVISION
0 PLACES	±					PSD	001	C2		
ANGULAR TOL ± 1.0°				DRAFT WHERE APPLICABLE MUST REMAIN WITHIN DIMENSIONS		THIRD ANGLE PROJECTION		DRAWING		SHEET NUMBER
				B-SIZE		SERIES		MATERIAL NUMBER		CUSTOMER
						84507		SEE CHART		GENERAL MARKET
										1 OF 1