

STE

Miniature Power Switch

Dust Proof



RoHS Compliant



UL

CSA

PSE

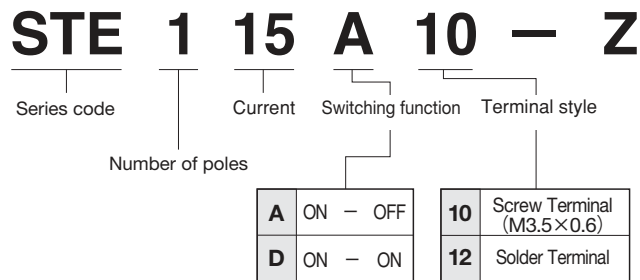
Features

1. Miniature toggle switch with small footprint.
2. Reinforced insulation by adopting resin frame and lever.
3. High inrush current rated (90A).
4. **UL** recognized. **CSA** certified. **PSE** certified.

Specifications

Rating		15A AC125V 8A AC250V
	UL·CSA	15A AC125V 8A AC250V
	Inrush Current (p.f.=0.6)	90A AC125V 48A AC250V
Initial contact resistance	30mΩ max.	(1A 2~4VDC)
Dielectric strength	2,000VAC 1 minute	
Insulation resistance	100MΩ min.	(500VDC)
Electrical life	50,000 cycles	
Operating temperature range	-15~+70°C	
Storage temperature range	-20~+70°C	

Part Numbering



Terminal Styles

Type	STE115A10-Z	STE115A12-Z
	Screw Terminal	Solder Terminal
Dimensions		
Plating	Brass	Silver plated

Tightning Torque for Hex Nut

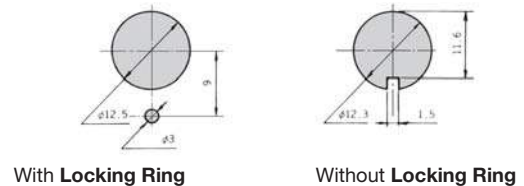
: 78.4 N·cm Max.

Soldering

Manual soldering
Device : Solder iron
420°C Max. 3 sec. Max.

Panel Cut-Out Dimensions

Panel thickness : 4 mm max.



Electrical Appliance and Material Safety Law Listed Products

Circuit	Part No.	For appliances			For electronic appliances
		For general appliances		For motors	
		AC125V	AC250V	AC125V	
SPST	STE115A10-Z	15A	8A	—	—
SPDT	STE115D10-Z	15A	8A	—	—

STE

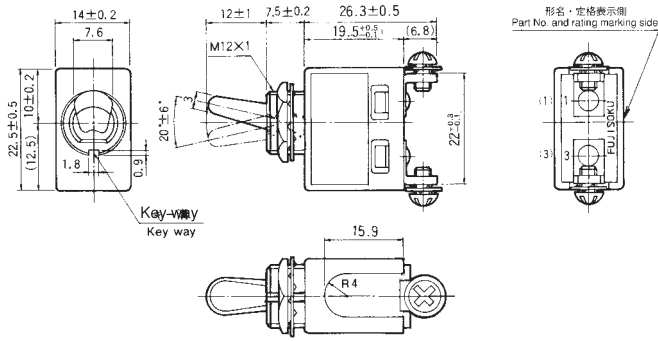
STE115A10

SPST

Terminal numbers are shown on the bottom of the switch.



(Screw Terminal)

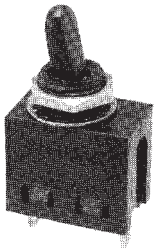


Switching function	Key way	Key way
Part No.		
★STE115A10-Z	ON	OFF
Connecting terminals	1-3	—

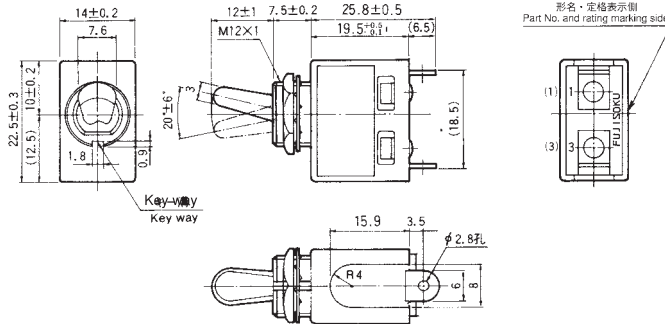
STE115A12

SPST

Terminal numbers are shown on the bottom of the switch.



(Solder Terminal)



Switching function	Key way	Key way
Part No.		
☆STE115A12-Z	ON	OFF
Connecting terminals	1-3	—

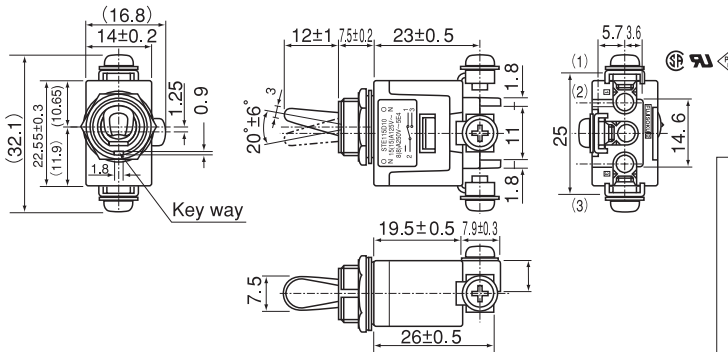
STE115D10

SPDT

Terminal numbers are shown on the bottom of the switch.



(Screw Terminal)



Switching function	Key way	Key way
Part No.		
★STE115D10-Z	ON	OFF
Connecting terminals	2-3	2-1

Standard Accessories Combination (Q'ty/switch)

Part No.	Accessories				
	①	②	③	④	⑤
STE115A10-Z	1	1	0	2	2
STE115A12-Z	1	1	0	0	0
STE115D10-Z	1	1	3	3	3

The number of accessories enclosed with the switch is shown in the above table.

Accessories

(Supplied separately)

	Standard Accessories					Optional Accessories
	For mounting		For terminals			For mounting
Part Name	① Hex Nut	② Lockwasher	③ Spacer	④ Screw	⑤ Lockwasher	Locking Ring
Part No.	140008010235	140008030055	—	14000080127	140008030057	140008020065
Dimensions						
Finish	Nickel plated	Zinc plated	Nickel plated	Nickel plated	Zinc plated	Zinc plated

◇ : Electrical Appliance and Material Safety Law. See page 432.

□ : Optional Accessories.

☆ : Semi-standard products.

★ : Made to order products.