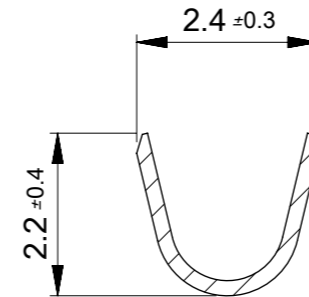
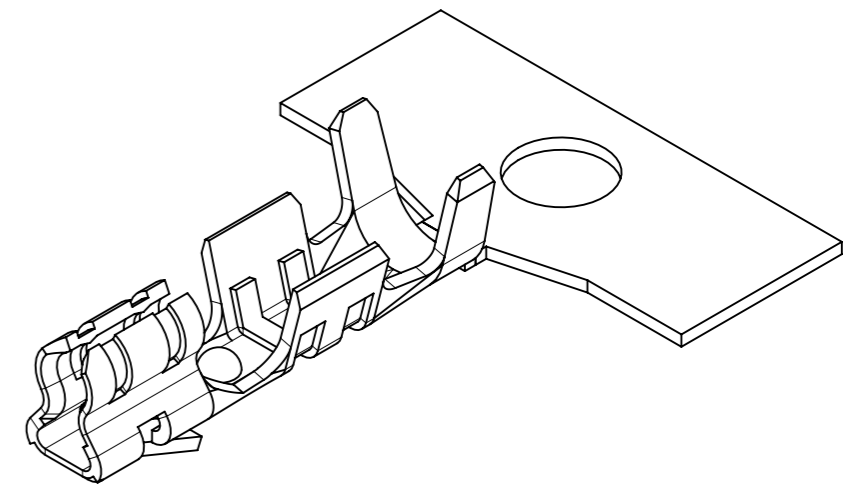


SECTION Z-Z

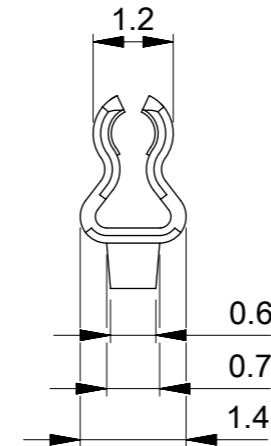


SECTION Y-Y



注記：
NOTES:

- △1 材質及び仕上げ(めっき仕様) : TABLE 1参照
MATERIAL AND FINISHES : SEE TABLE 1
- △2 製品仕様書、適用嵌合相手、適用ハウジングはSHEET 2をご参照ください。
PLEASE REFER TO SHEET 2 FOR PRODUCT SPECIFICATION,
MATE WITH AND APPLICABLE HOUSING.



∅1.15-1.9mm	AWG#22-28	ポリ袋 POLY BAG	5263PBTL	08701040	バラ状 LOOSE
		リール REEL	5263PBT	08701039	連鎖状 CHAIN
絶縁被覆外径範囲 INSULATION RANGE	適用電線範囲 WIRE RANGE	梱包形態 PACKAGING	ENG. NO.	オーダー番号 ORDER NO.	端子形状 FORM

THIS DRAWING CONTAINS INFORMATION THAT IS PROPRIETARY TO MOLEX ELECTRONIC TECHNOLOGIES, LLC AND SHOULD NOT BE USED WITHOUT WRITTEN PERMISSION					
DIMENSION UNITS	SCALE	CURRENT REV DESC: MIGRATED			
mm	NTS	 MINI-SPOX 2.5 W/B RECEPTACLE CRIMP TERMINAL PRODUCT CUSTOMER DRAWING			
GENERAL TOLERANCES (UNLESS SPECIFIED)					
ANGULAR TOL	± 3.0°				
4 PLACES	±				
3 PLACES	±				
2 PLACES	±				
1 PLACE	± 0.2	EC NO: 636780	DRWN: SUDAYGUNAGI	2019/06/24	
0 PLACES	± 0.2	CHK'D: SAKIYAMA	2020/05/13		
DRAFT WHERE APPLICABLE MUST REMAIN WITHIN DIMENSIONS		APPR: KOMURAKAMI	2020/05/13		
THIRD ANGLE PROJECTION		INITIAL REVISION:	DOCUMENT NUMBER		
DRAWING		DRWN: SUDAYGUNAGI	52630001-SD		DOC TYPE
SERIES		APPR: KOMURAKAMI	PSD		DOC PART
MATERIAL NUMBER		2019/06/24	000		REVISION
CUSTOMER		2020/05/13	A		
SHEET NUMBER		A3-SIZE	GENERAL		
		5263	1 OF 2		

△1 TABLE 1

部品 PART	材質 MATERIAL	
ターミナル TERMINAL	母材 BASE METAL	リン青銅 PHOSPHOR BRONZE
	めっき PLATING	錫めっき : 0.9 micro-meter リフロー処理(前めっき) MATTE TIN REFLOW TREATMENT (PRE-PLATING)
DOCUMENT STATUS	P1	RELEASE DATE 2020/05/13 03:50:31

△ 適用製品及び各種仕様書
 APPLICABLE PRODUCTS AND VARIOUS SPECIFICATIONS

梱包仕様書 PACKAGING SPECIFICATION	ORDER NO.	SPECIFICATION NO.
	08701039	52639200-SPK PS 200
	08701040	

適用ハウジング APPLICABLE HOUSING	SINGLE TYPE	
シリーズ番号 SERIES NO.	5264N	
嵌合相手 MATE WITH	VERTICAL	RIGHT ANGLE
シリーズ番号 SERIES NO.	5267NA, 5267NAX	5268NA
製品仕様書 PRODUCT SPECIFICATION	PS-5264-001 PS 001	

製品嵌合図は各"嵌合相手"図面を参照のこと
 MATING VIEW : REFER TO "MATE WITH" PART DRAWING

THIS DRAWING CONTAINS INFORMATION THAT IS PROPRIETARY TO MOLEX ELECTRONIC TECHNOLOGIES, LLC AND SHOULD NOT BE USED WITHOUT WRITTEN PERMISSION									
DIMENSION UNITS	SCALE	CURRENT REV DESC: MIGRATED					molex		
mm	NTS								
GENERAL TOLERANCES (UNLESS SPECIFIED)							MINI-SPOX 2.5 W/B RECEPTACLE CRIMP TERMINAL		
ANGULAR TOL	± 3.0 °						PRODUCT CUSTOMER DRAWING		
4 PLACES	±	EC NO: 636780							
3 PLACES	±	DRWN: SUDAYGUNAGI	2019/06/24						
2 PLACES	±	CHK'D: SAKIYAMA	2020/05/13						
1 PLACE	± 0.2	APPR: KOMURAKAMI	2020/05/13						
0 PLACES	± 0.2	INITIAL REVISION:				DOCUMENT NUMBER	DOC TYPE	DOC PART	REVISION
		DRWN: SUDAYGUNAGI	2019/06/24			52630001-SD	PSD	000	A
		APPR: KOMURAKAMI	2020/05/13						
DRAFT WHERE APPLICABLE MUST REMAIN WITHIN DIMENSIONS	THIRD ANGLE PROJECTION	DRAWING	SERIES	MATERIAL NUMBER	CUSTOMER	SHEET NUMBER			
		A3-SIZE	5263	SEE SHEET 1	GENERAL	2 OF 2			