

注記 NOTES

1. 使用材料 MATERIAL

ハウジング: 液晶ポリマー (LCP) ガラス充填 UL94V-0 (黒)
HOUSING: LIQUID CRYSTAL POLYMER (GLASS FILLED) UL94V-0 (COLOR: BLACK)

ターミナル: りん青銅 (t=0.1)
TERMINAL: PHOSPHOR BRONZE (t=0.1)

2. メッキ仕様 PLATING

ターミナル TERMINAL

金メッキ 0.1 マイクロメートル以上 (コンタクト部)

GOLD 0.1 MICROMETER MINIMUM (CONTACT AREA)

金メッキ 0.05 マイクロメートル以上 (テール部)

GOLD 0.05 MICROMETER MINIMUM (TAIL AREA)

下地メッキ: ニッケルメッキ 1.0 マイクロメートル以上

UNDER PLATING: NICKEL 1.0 MICROMETER MINIMUM

※コンタクト部とテール部はニッケルメッキによって分断されている金メッキです。
DIVIDE INTO PARTS THE GOLD PLATING OF THE CONTACT AND THE TAIL PART BY THE NICKEL PLATING.

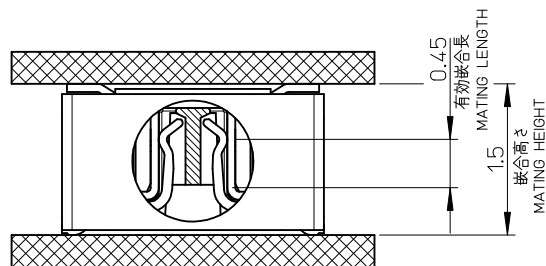
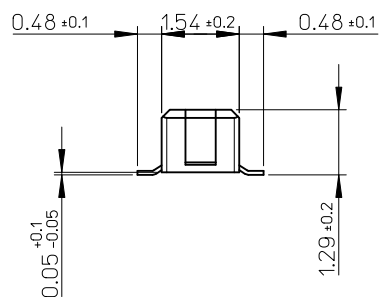
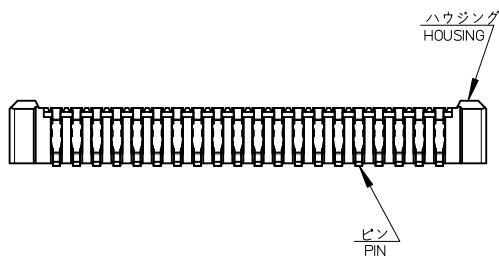
※封孔処理品
SEALING TREATMENT

△ (全極数 / 2) = 偶数の場合に適用。
APPLY FOR (CIRCUIT/2) = EVEN.

4. 嵌合相手: 503105 シリーズ
MATE WITH: 503105 SERIES.

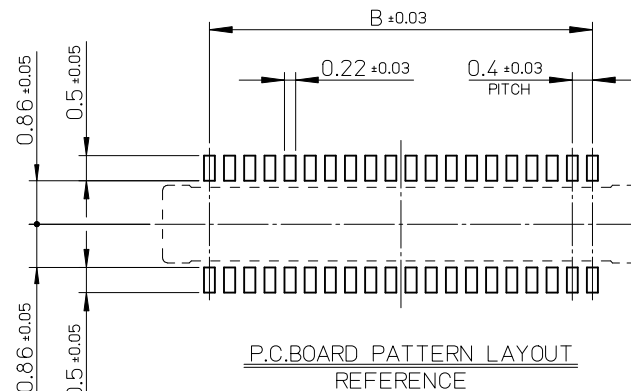
5. テール平坦度は、0.1 以下
TAIL COPLANARITY TO BE 0.1 MAXIMUM.

6. ELV 及び RoHS 適合品
ELV AND RoHS COMPLIANT.

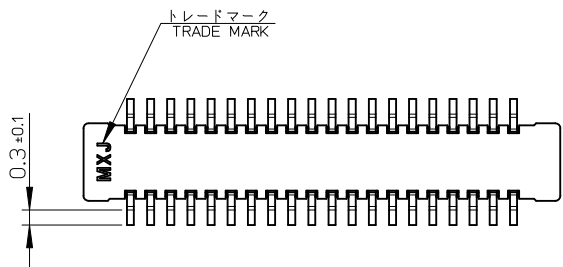


嵌合断面図 (参考)

MATED DRAWING (REFERENCE)



P.C. BOARD PATTERN LAYOUT REFERENCE

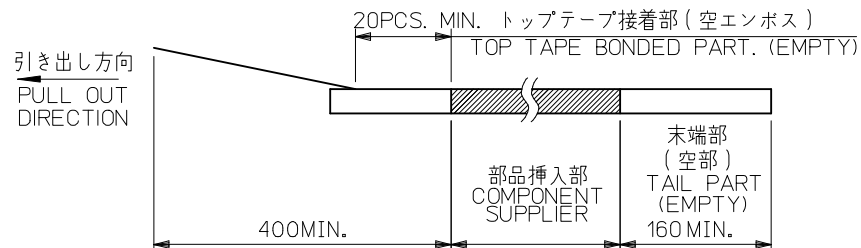
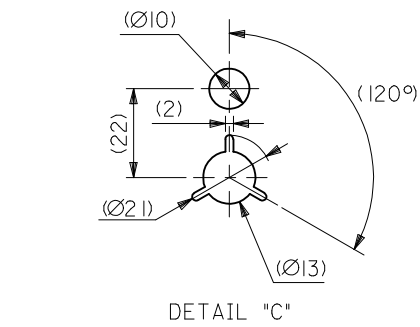
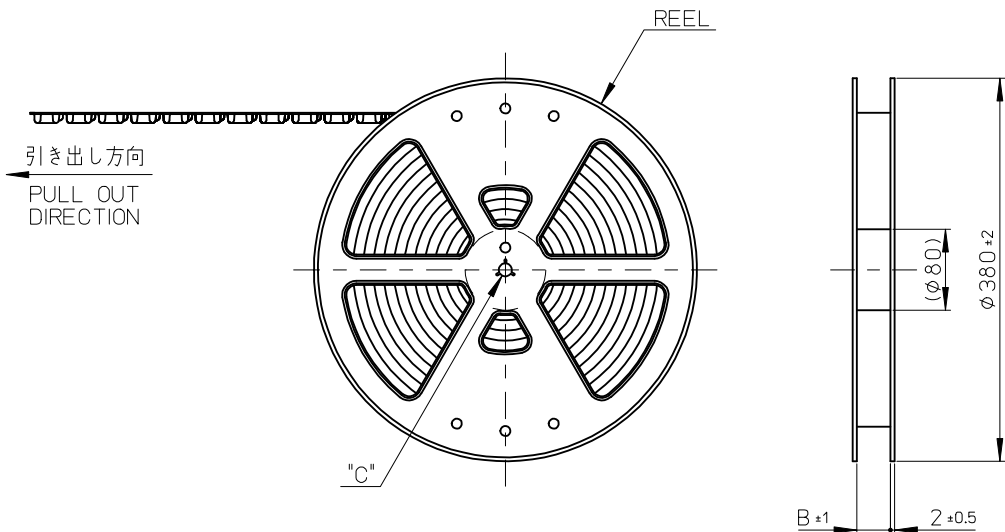


9.6	11.46	503108-5010	50
8.4	10.26	503108-4410	44
7.6	9.46	503108-4010	40
5.6	7.46	503108-3010	30
B	A	EMBOSSED TAPE	CKT.
		ORDER No. オーダー番号	
		CONNECTOR SERIES No. : 503108-***19	

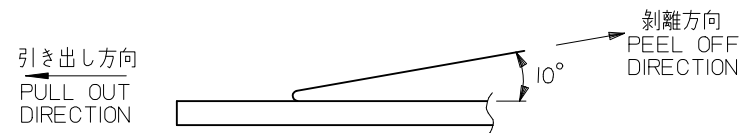
REVISED EC NO.: J2011-0740 DRW: KTOYODA 2010/11/29 CHKD: MSASAO 2010/11/29 APPR: MSASAO 2011/02/21	GENERAL TOLERANCES (UNLESS SPECIFIED)		DIMENSION STYLE MM ONLY		SCALE 10:1	DESIGN UNITS METRIC	THIRD ANGLE PROJECTION
	10 UNDER	± ---	DRAWN BY RTAKEUCHI	DATE 2008/07/02	TITLE 0.4 B-T-O-B CONN. HGT=1.5 W/O NAIL W=2.6 PLUG ASSY		
	10 OVER 30 UNDER	± ---	CHECKED BY MSASAO	DATE 2008/07/02	MOLEX INCORPORATED		
	30 OVER	± ---	APPROVED BY MSASAO	DATE 2008/07/02	DOCUMENT NO. SD-503108-001	SHEET NO. 1 OF 1	
REV	DESCRIPTION	ANGULAR ± --- °	MATERIAL NO. SEE CHART		THIS DRAWING CONTAINS INFORMATION THAT IS PROPRIETARY TO MOLEX INCORPORATED AND SHOULD NOT BE USED WITHOUT WRITTEN PERMISSION		
DRAFT WHERE APPLICABLE MUST REMAIN WITHIN DIMENSIONS							

注記 NOTES

- 製品詳細寸法については製品単体図面を参照下さい。
FOR DETAIL OF CONNECTOR DIMENSIONS,
PLEASE SEE THE DRAWING OF CONNECTOR ITSELF (NOT PACKAGED).
- 梱包数量: 3000 個/リール
NUMBER OF CONNECTORS : 3000PCS/REEL
- リードテープ長さ LEAD TAPE LENGTH



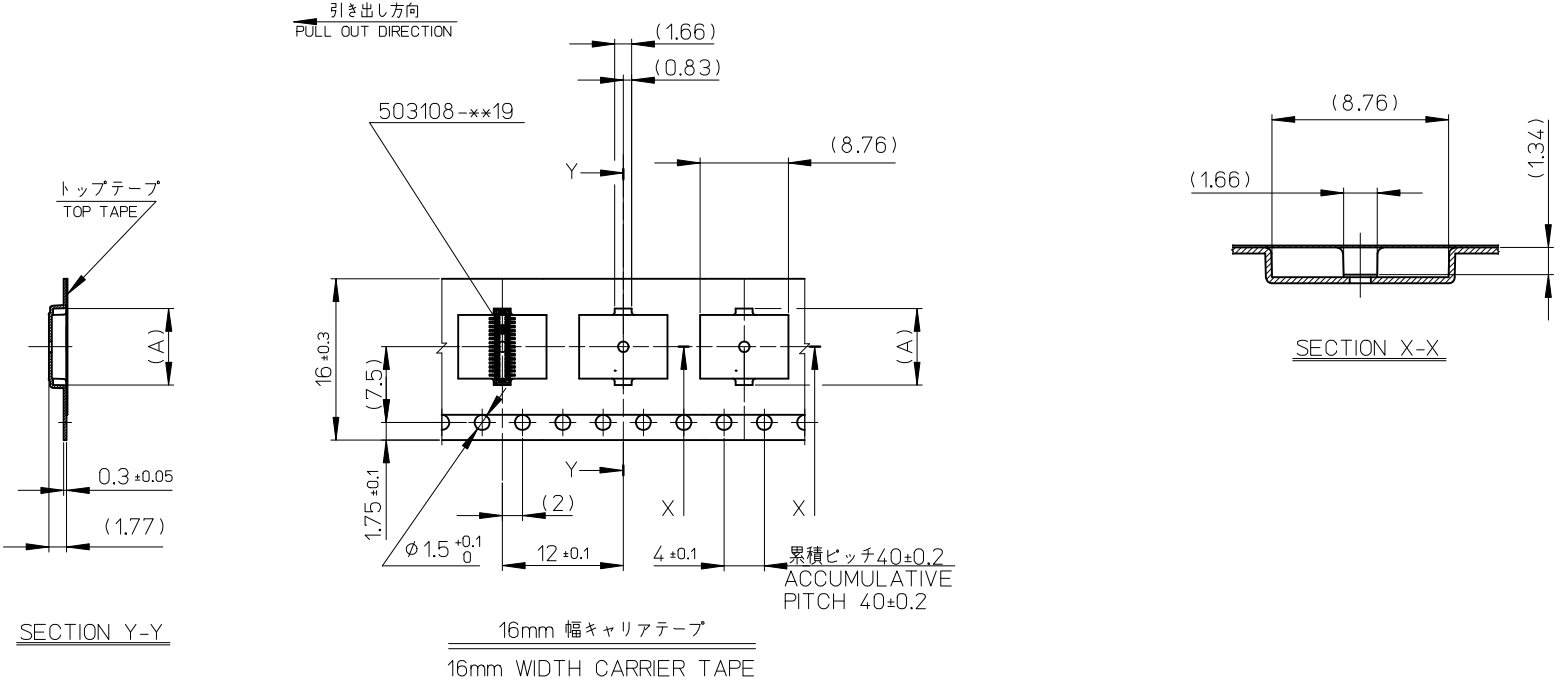
- トップテープの剥離強度: 0.1N~1.3N(10gf~130gf)
(剥離方向は下図参照)
尚、本規格値は出荷時に適用。(但し、輸送時に剥離が発生しないこと。)
PEELING OFF FORCE OF TOP TAPE : 0.1N~1.3N(10gf~130gf)
(PEELING DIRECTION AS SHOWN IN FOLLOWING FIG.)
THIS REQUIREMENT SHOULD BE APPLIED AT SHIPMENT.
PEEL OFF SHOULD NOT BE ALLOWED , DURING TRANSPORTION.



- 材料 MATERIAL
キャリアテープ (CARRIER TAPE): ポリスチレン (POLYSTYRENE)
トップテープ (TOP TAPE): PET , PE , PEF
リール (REEL): ポリスチレン (PS) <リサイクル材を含む>
POLYSTYRENE (PS) <RECYCLE MATERIAL CONTAINED>
- ELV 及び RoHS 適合品
ELV AND RoHS COMPLIANT

MODEL NO. 503108-**10

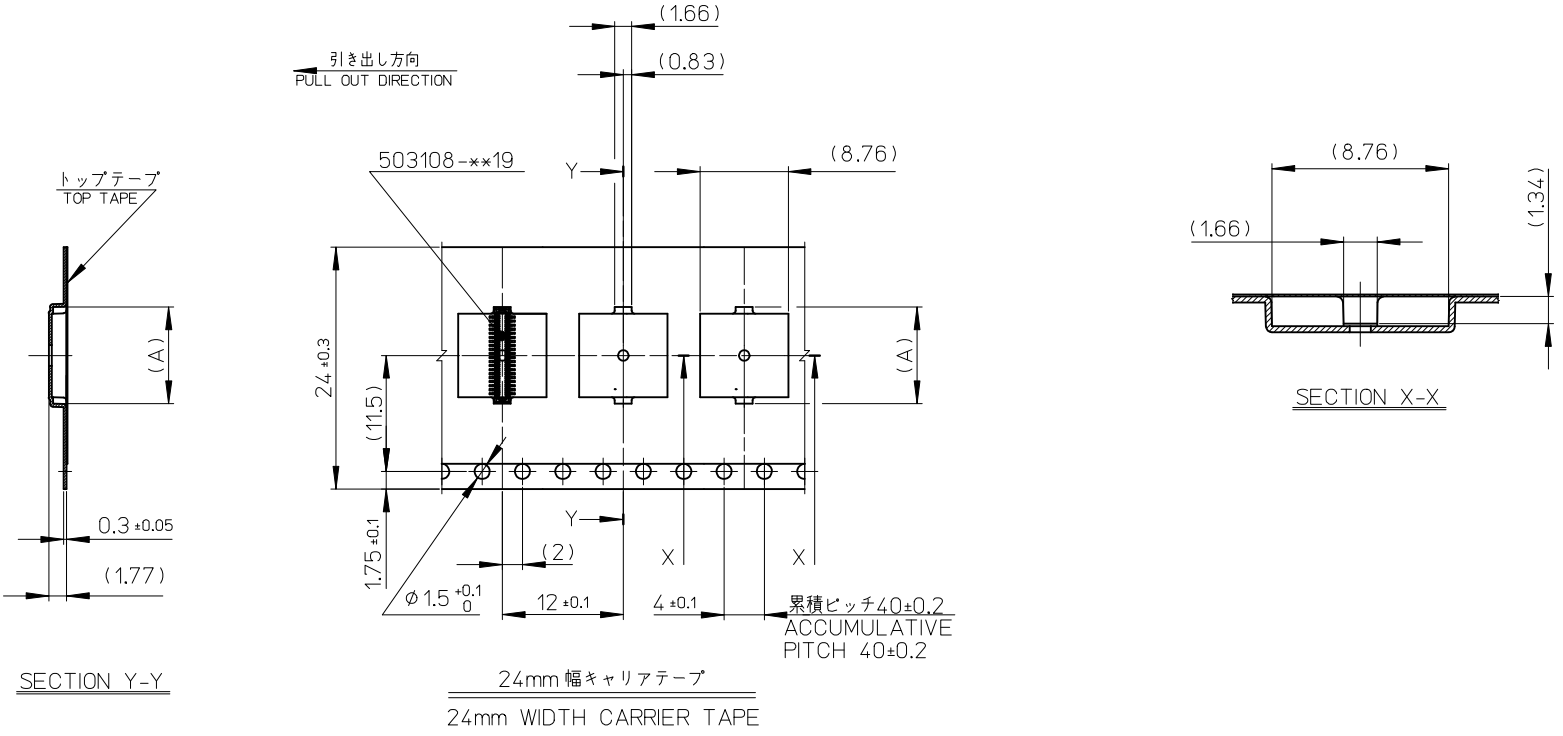
REVISED EC NO: J2013-1009 D 2013/03/13 DRWN:KTOYODA CHKD:TASAKAWA APPR:MSASAO	DESCRIPTION REV	GENERAL TOLERANCES (UNLESS SPECIFIED)		DIMENSION STYLE MM ONLY		SCALE ---	DESIGN UNITS METRIC	THIRD ANGLE PROJECTION	
		10 UNDER	±---	DRAWN BY RTAKEUCHI	DATE 2008/08/20	TITLE 0.4 B-TO-B CONN. HGT=1.5 PLUG ASSY EMBSTP PKG			
		10 OVER 30 UNDER	±---	CHECKED BY THIRATA	DATE 2008/08/20				
		30 OVER	±---	APPROVED BY MSASAO	DATE 2008/08/20				
ANGULAR ±---°		DRAFT WHERE APPLICABLE MUST REMAIN WITHIN DIMENSIONS		MATERIAL NO. SEE CHART		DOCUMENT NO. SD-503108-002		SHEET NO. 1 OF 3	
THIS DRAWING CONTAINS INFORMATION THAT IS PROPRIETARY TO MOLEX INCORPORATED AND SHOULD NOT BE USED WITHOUT WRITTEN PERMISSION									



16	17.4	7.58	503108-3010	30
キャリアテープ幅 CARRIER TAPE WIDTH	B	(A)	MATERIAL No.	CKT.
			MODEL No.	503108-**-10

SEE SHEET 1 OF 3 EC NO.: J2013-1009 DRWNK: TOYODA 2013/03/13 CHKD: TASAKAWA 2013/03/13 APPR: MSASAO 2013/03/13	DESCRIPTION REV	GENERAL TOLERANCES (UNLESS SPECIFIED)		DIMENSION STYLE MM ONLY		SCALE ---	DESIGN UNITS METRIC	THIRD ANGLE PROJECTION	
		10 UNDER ± ---	10 OVER 30 UNDER ± ---	DRAWN BY RTAKEUCHI	DATE 2008/08/20	TITLE 0.4 B-TO-B CONN. HGT=1.5 PLUG ASSY EMBSTP PKG			
		30 OVER ± ---	ANGULAR ± --- °	CHECKED BY THIRATA	DATE 2008/08/20	APPROVED BY MSASAO			
		DRAFT WHERE APPLICABLE MUST REMAIN WITHIN DIMENSIONS		MATERIAL NO. SEE CHART		DOCUMENT NO. SD-503108-002		SHEET NO. 2 OF 3	

THIS DRAWING CONTAINS INFORMATION THAT IS PROPRIETARY TO MOLEX INCORPORATED AND SHOULD NOT BE USED WITHOUT WRITTEN PERMISSION



24	25.5	11.58	503108-5010	50	
		10.38	503108-4410	44	
		9.58	503108-4010	40	
キャリアテープ幅 CARRIER TAPE WIDTH		B	(A)	MATERIAL No.	CKT.
			MODEL No.	503108-**-10	

REVISED EC NO: J2013-1009 DRWN: KTOYODA 2013/03/13 CHKD: TASAKAWA 2013/03/13 APPR: MSASAO 2013/03/13	DESCRIPTION REV	GENERAL TOLERANCES (UNLESS SPECIFIED)		DIMENSION STYLE MM ONLY		SCALE ---	DESIGN UNITS METRIC	THIRD ANGLE PROJECTION	
		10 UNDER	±---	DRAWN BY RTAKEUCHI	DATE 2008/08/20	TITLE 0.4 B-TO-B CONN. HGT=1.5 PLUG ASSY EMBSTP PKG			
		10 OVER 30 UNDER	±---	CHECKED BY THIRATA	DATE 2008/08/20	molex DOCUMENT NO. SD-503108-002 SHEET NO. 3 OF 3			
		30 OVER	±---	APPROVED BY MSASAO	DATE 2013/03/13				
ANGULAR ±---°		DRAFT WHERE APPLICABLE MUST REMAIN WITHIN DIMENSIONS		MATERIAL NO. SEE CHART					