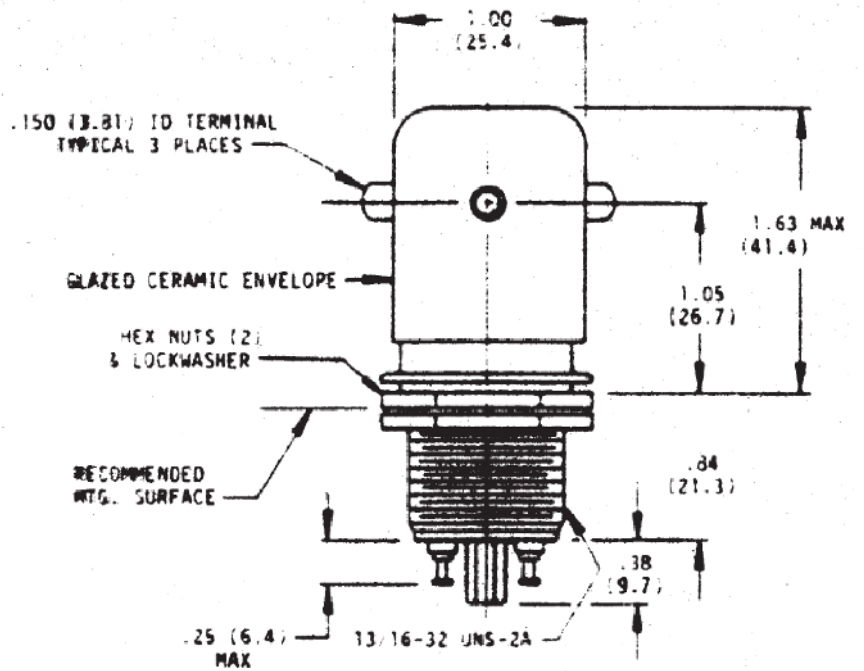
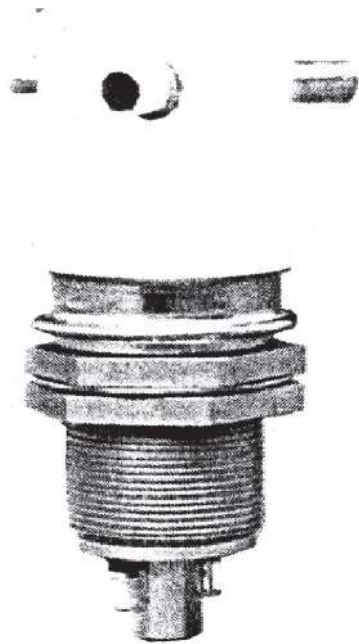


K60C SERIES MAKE ONLY LOAD SWITCHING

REVISIONS

REV.	ECO	DESCRIPTION	DATE	APPROVED
A	-	INITIAL DRAWING	07AUG2020	TN

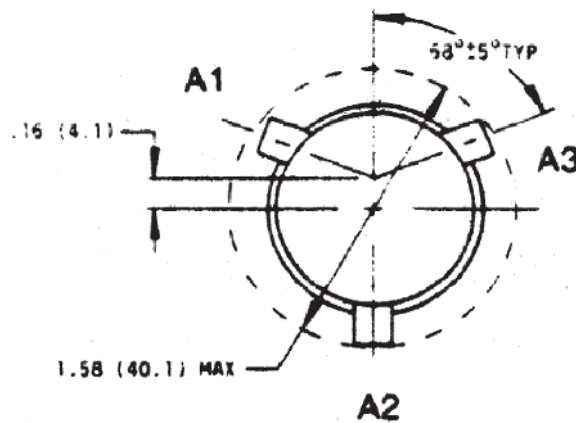


K60C(35KV)

Product facts

- * 35 kv rating operated in oil or potting
- * Smallest 35 KV rated relay available

*Customer must isolate high voltage terminals using suitable dielectric such as oil or potting



TE CONNECTIVITY
CARPINTERIA, CA 93013

TITLE

K60C SERIES MAKE ONLY LOAD SWITCHING

TE P.N.

DWG NO.

K60C-SERIES

DS

DATA SHEET

CAGE CODE
18741

SCALE
NONE

SHEET
1 OF 2

REV
A

K60C SERIES MAKE ONLY LOAD SWITCHING

Product Specifications

Contact Arrangement — SPDT

Contact Form — C

Test Voltage, DC or 60 Hz (Peak) —
37 kV**

Rated Operating Voltage (Peak) —
DC or 60 Hz — 35 kV**

Continuous Carry Current, Max. —
DC or 60 Hz — 10 A RMS
Coil Hi-Pot (Vrms, 60 Hz) — 500 A RMS

Contact Resistance, Max. — N/A

Operate Time, Max. — 15 ms

Release Time, Max. — 15 ms

Shock, 11ms, 1/2 Sine (Peak) —
20 g

Vibration —
Peak — 10 g (55 to 500 Hz)

**Operating Ambient Temperature
Range** — -55°C to +85°C

Mechanical Life — 1 million cycles


Weight, Nominal — 93.6 g (3.3 oz.)

Note:

**37 kV test voltage, 35 kV operate
voltage when operated in oil.

RELAY PART NUMBER	K60C731	K60C831	K60C931
Volts, Nominal DC	12 V	26.5 V	115 V
Pickup, Max.	9 Vdc	18 Vdc	90 Vdc
Dropout	.5-5 Vdc	1-10 Vdc	5-50 Vdc
Coil Resistance (±10%)	30 Ω	125 Ω	2000 Ω

Ratings listed are for 25°C, sea level conditions **Coil Data**

 TE CONNECTIVITY CARPINTERIA, CA 93013		TITLE K60C SERIES MAKE ONLY LOAD SWITCHING			
		TE P.N.		DWG NO. K60C-SERIES	
DS	DATA SHEET	CAGE CODE 18741	SCALE NONE	SHEET 2 OF 2	REV A