

Flat suction pad (round)

SUF 25 HT1-60 G1/8-AG

Part no...:10.01.01.14148

<https://www.schmalz.com/10.01.01.14148>

Home > Vacuum Technology for Automation > Vacuum Components > Vacuum Suction Cups > Flat Suction Cups (Round) > Flat Suction Cups SUF > SUF 25 HT1-60 G1/8-AG

Flat suction cup (round) for process safe handling of smooth or slightly rough surfaces



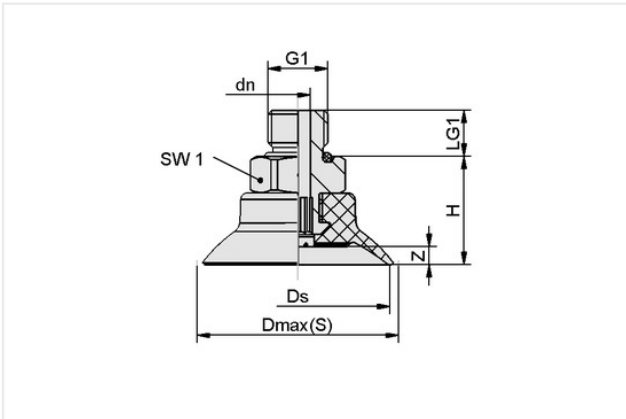
Size: 25

Suction cup material: High temp material HT1

Material hardness [Shore A]: 60 Shore A

Vacuum connection: G1/8"-M

Design Data



| Attribute | Value |
|------------|----------|
| Dmax(S) | 28.20 mm |
| Ds | 25 mm |
| dn | 4.10 mm |
| G1 | G1/8"-M |
| H | 17.20 mm |
| LG1 | 7.50 mm |
| SW1 | 14 mm |
| Z (Stroke) | 2.50 mm |

Technical Data

| Attribute | Value |
|-----------------------------|------------------------|
| Suction force (-600mbar) | 23 N |
| Pull-off force | 23 N |
| Volume | 0.90 cm ³ |
| Curve radius (min) (convex) | 25 mm |
| Hose diameter (empf.) d | 4 mm |
| Size | 25 |
| Suction cup material | High temp material HT1 |
| Material hardness [Shore A] | 60 Shore A |

Contact Schmalz

Schmalz Inc. | 5850 Oak Forest Drive, Raleigh, NC 27616, United States | +1 (919) 713-0880 | schmalz.us@schmalz.com

Flat suction pad (round)

SUF 25 HT1-60 G1/8-AG

Part no...:10.01.01.14148

<https://www.schmalz.com/10.01.01.14148>

| | |
|-----------------|--------|
| Weight | 9.70 g |
| Product family | SUF |
| Number of folds | 0 |

Note: Suction force: The specified suction forces are theoretical values at a vacuum of -0.6 bar and with a dry, smooth and flat workpiece surface - they do not include a safety factor
Hose diameter: The recommended hose diameter refers to a hose length of approx. 2 m

Spare parts



SC 040 G1/8-AG

Part no...:10.01.06.02490

Connection geometry: 040

Connection: G1/8"-M

Length L1: 20.2 mm

Fitting length: 6 mm

Nominal diameter dn: 4.1 mm



SUF 25 HT1-60 SC040

Part no...:10.01.01.13992

Size: 25

Suction cup material: High temp material HT1

Material hardness [Shore A]: 60 Shore A