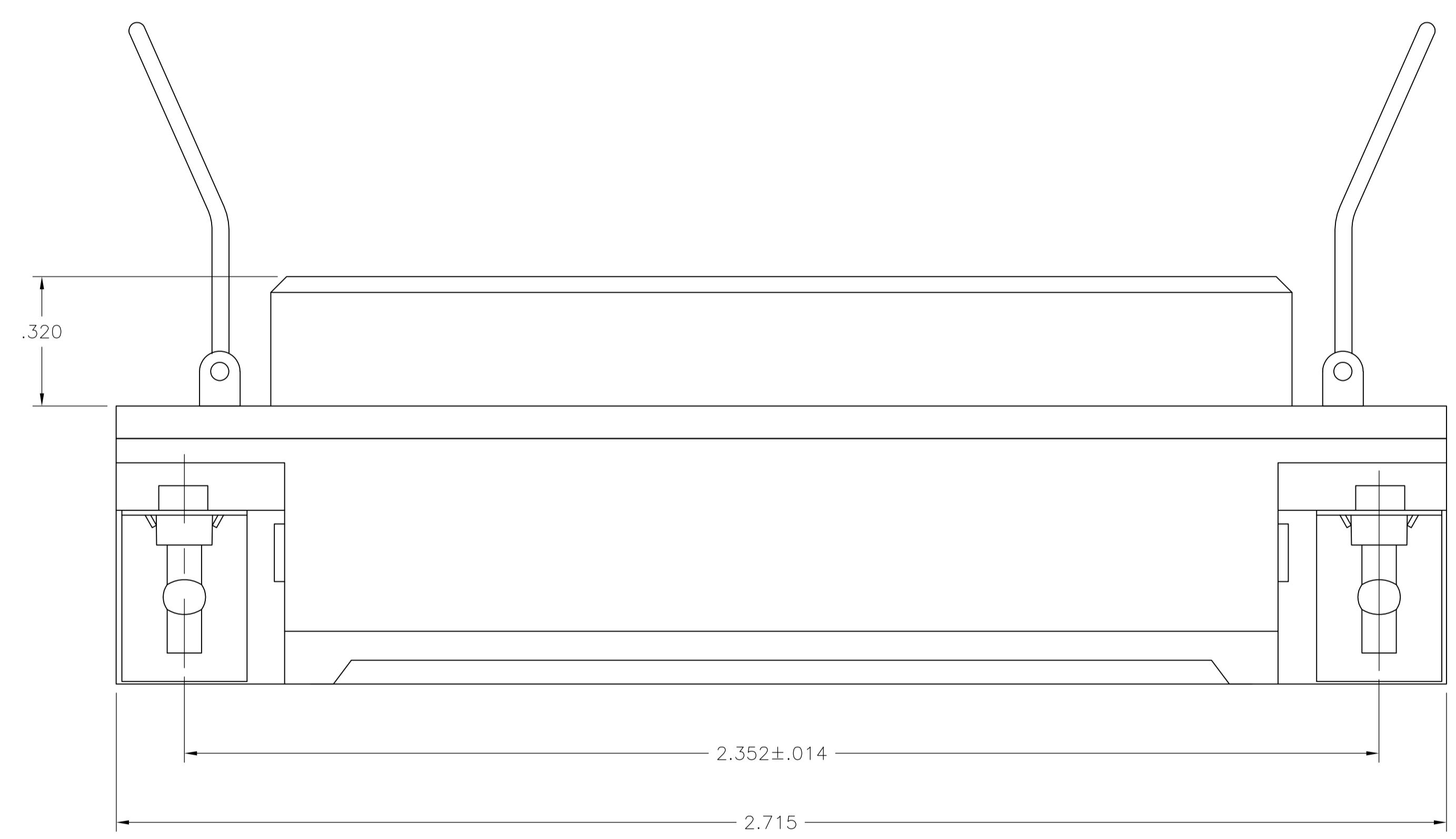
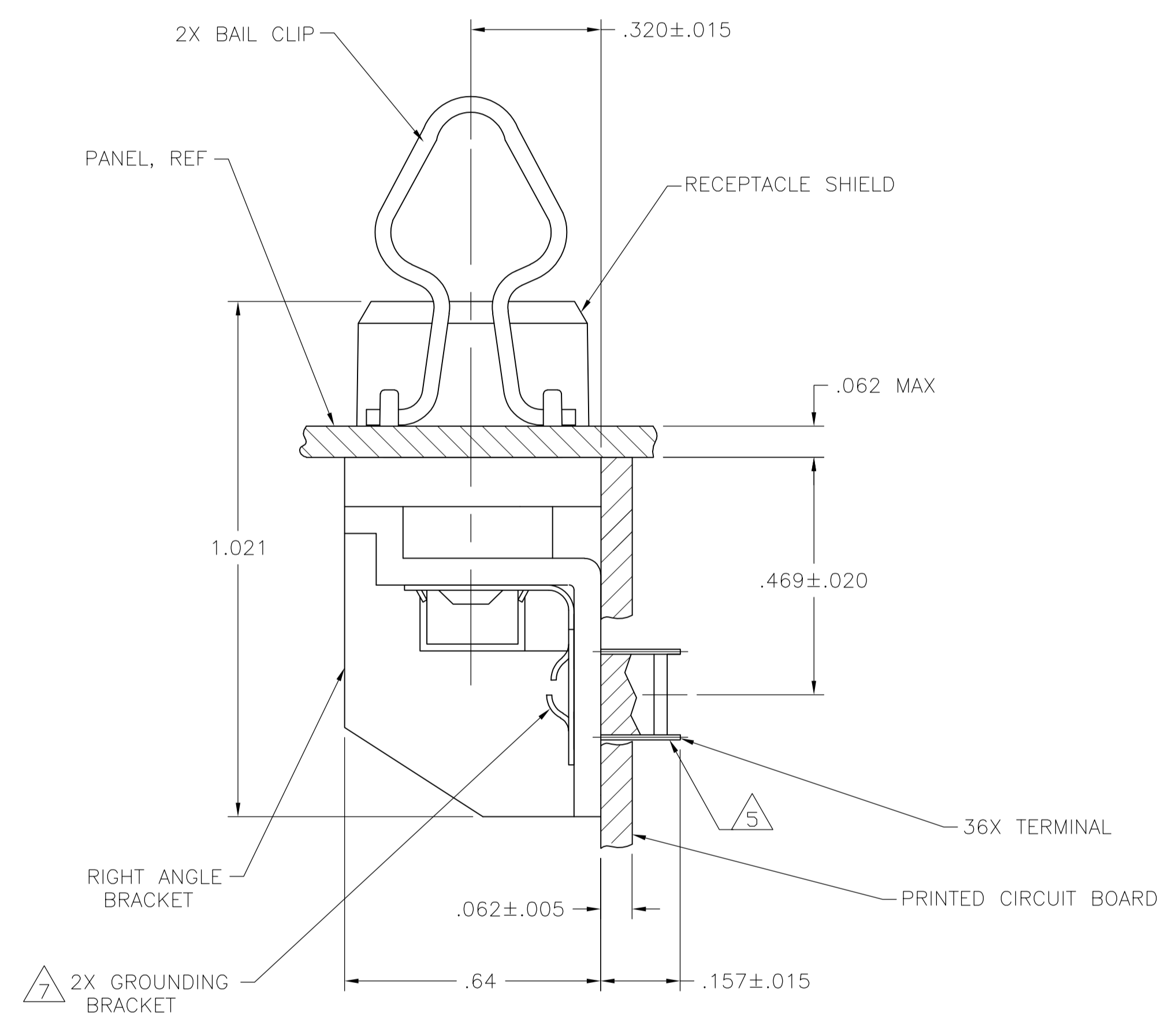


SUGGESTED PRINTED CIRCUIT BOARD MOUNTING DIMENSIONS

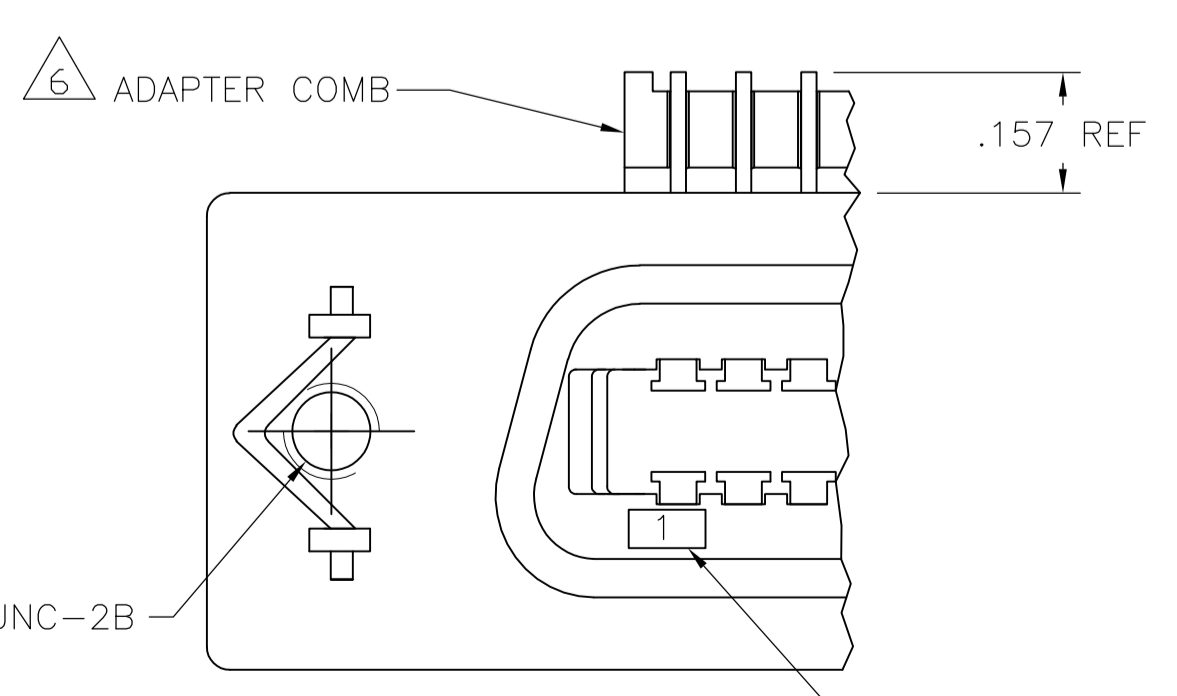
- 1 MATERIAL:
 HOUSING, RIGHT ANGLE BRACKET, ADAPTER COMB & TERMINAL SUPPORT PLATE - THERMOPLASTIC, BLACK.
 RECEPTACLE SHIELD - BRIGHT NICKEL OVER COPPER PLATED DIE CASTING.
 TERMINALS - HIGH STRENGTH COPPER ALLOY PLATED WITH EITHER .000030 MIN GOLD PLATE OR GOLD FLASH OVER PALLADIUM NICKEL PLATE, .000030 MIN TOTAL ON MATING SURFACE. .000120 MIN TIN PLATE ON TAILS. ALL OVER .000050 MIN NICKEL UNDERPLATE OVER ENTIRE TERMINAL.
 GROUND BRACKET - TIN PLATED CARBON STEEL.
 BAIL CLIPS - PASSIVATED STAINLESS STEEL.
2. THE CONTACT SURFACES OF THE TERMINALS ARE COATED WITH LUBRICANT.
3. CENTER TO CENTER SPACING OF TERMINALS IS .085 NOMINAL.
- 4 ALL DIMENSIONS ARE MAXIMUM UNLESS OTHERWISE SPECIFIED.
- 5 TERMINAL 1 IS LOCATED IN THIS ROW FOR STANDARD ORIENTATION, SEE DETAIL A.
- 6 IF TERMINALS DO NOT EXTEND BELOW COMB, THEN COMB SHALL BE PARTIALLY RETRACTED, BEFORE INSERTING CONNECTOR INTO THE PC BOARD.
- 7 ACCEPTS 4-40 SCREW-STAINLESS STEEL RECOMMENDED FOR CONTACT WITH SOLDER BATH.



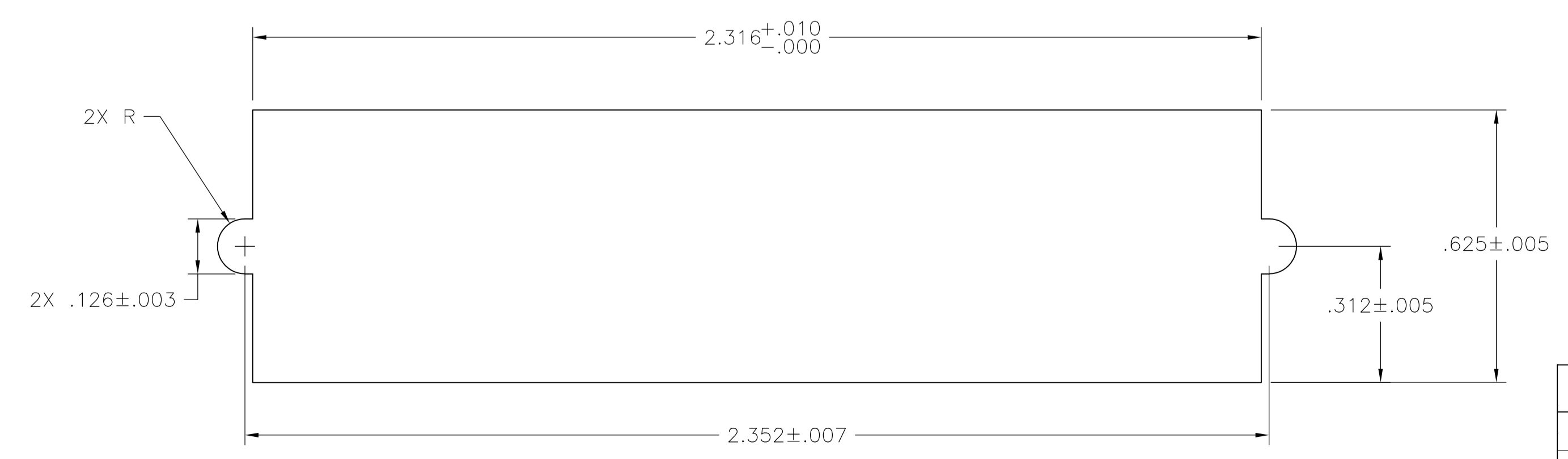
TOP VIEW



SIDE VIEW A-A



DETAIL A (FRONT VIEW) STANDARD ORIENTATION



SUGGESTED REAR PANEL MOUNTING CUTOUT DIMENSIONS

5555233-1
PART NUMBER

THIS DRAWING IS A CONTROLLED DOCUMENT.		DIN E MCMASTER 24AUG05	Tyco Electronics Corporation Harrisburg, PA 17105-3608	
DIMENSIONS: INCHES	TOLERANCES UNLESS OTHERWISE SPECIFIED:	CHK W MILLHIMES 24AUG05	NAME	RECEPTACLE ASSEMBLY, SHIELDED, 36 POSITION, RIGHT ANGLE, W/ GROUND BRACKET & BAIL LOCK, FLUSH MOUNTING, CHAMP
0 PLC ± -	1 PLC ± -	APVD W MILLHIMES 24AUG05	SIZE	A1
2 PLC ± -	3 PLC ± -	APPLICATION SPEC	SCALE	4:1
4 PLC ± -	ANGLES ± -	WEIGHT	CAGE CODE	00779
			DRAWING NO	5555233
			RESTRICTED TO	
			CUSTOMER DRAWING	
			SHEET	1 OF 1
			REV	B