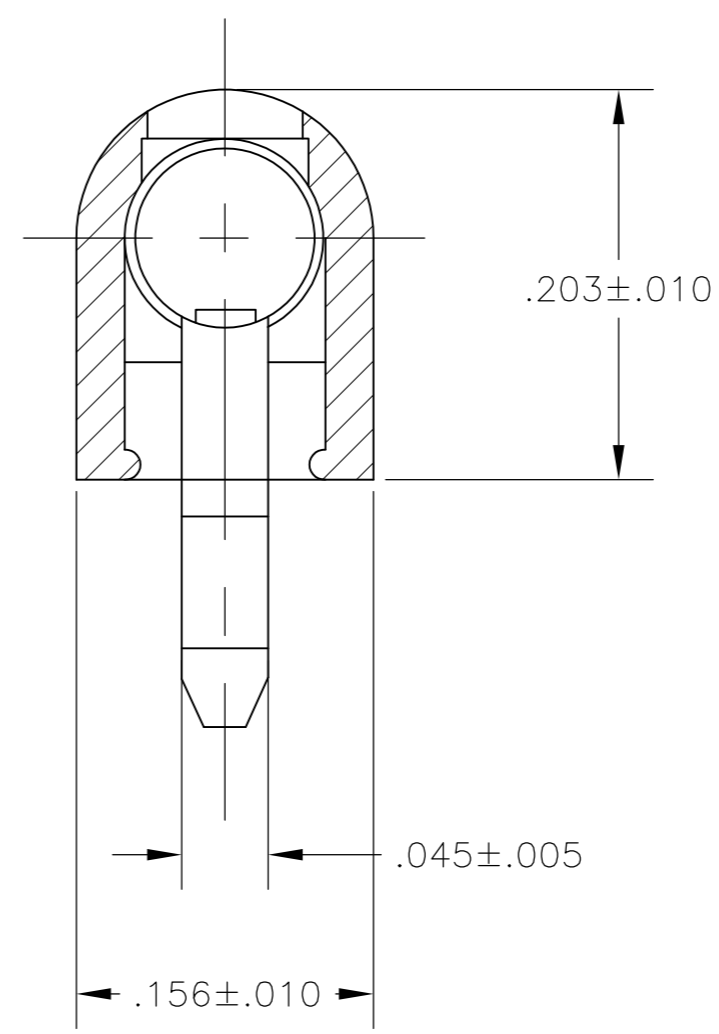
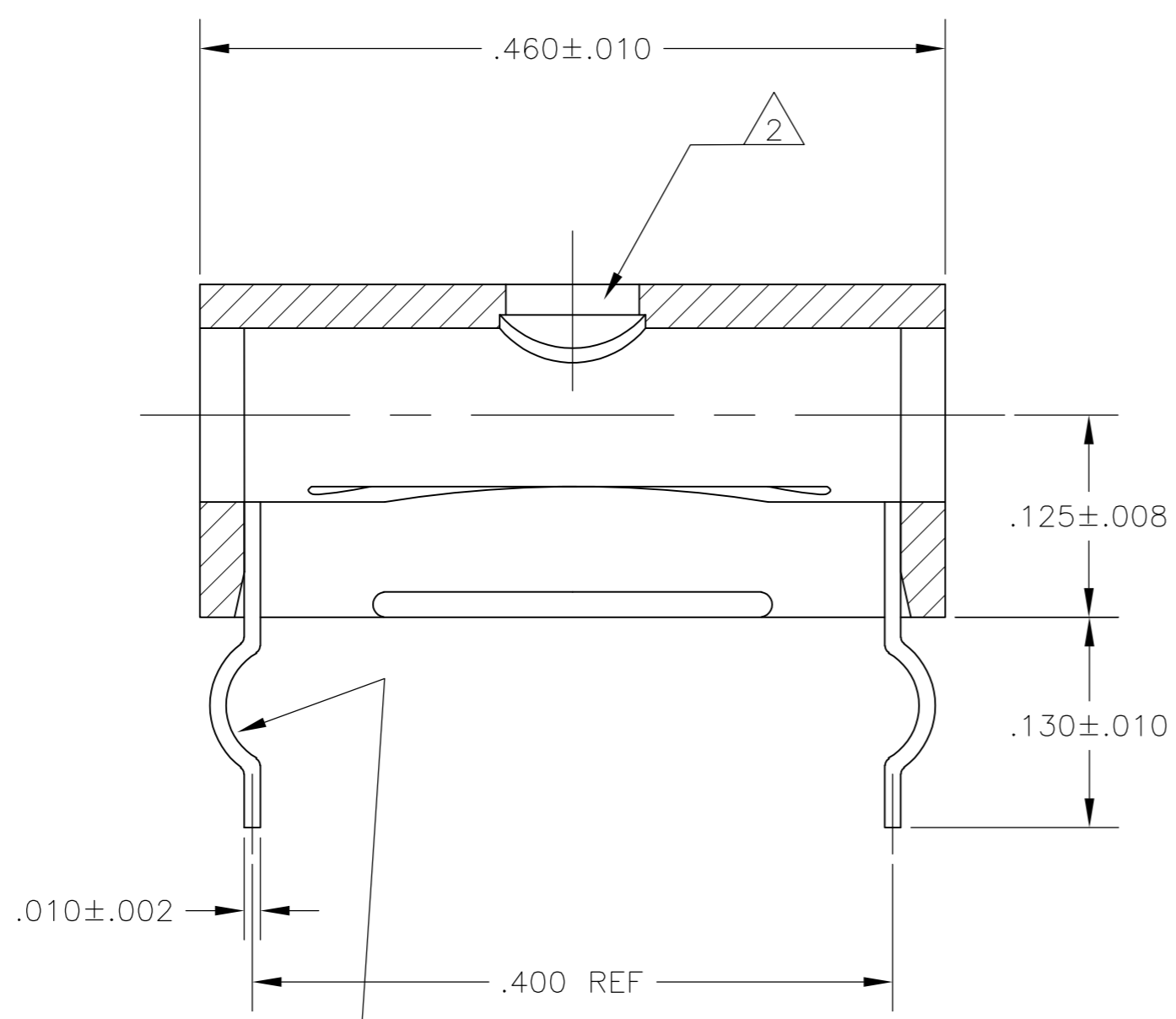


THIS DRAWING IS UNPUBLISHED. RELEASED FOR PUBLICATION
 © COPYRIGHT - By - ALL RIGHTS RESERVED.

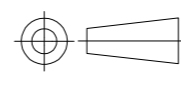

LOC	DIST	REVISIONS					
AD	00	P	LTR	DESCRIPTION	DATE	DWN	APVD
		A		RELEASED	17JUN13	W.W	C.W



- 1 INSULATION: NYLON COLOURED AS SHOWN
CONTACT: BERY. CU, NICKEL & GOLD PLATED.
- 2 G1 THRU G11 SUPPLIED WITHOUT "TOP-ENTRY" HOLE
G1-1 THRU G11-1 SUPPLIED WITH "TOP-ENTRY" HOLE.

SLIGHT 'DAP' FOR RETENTION
IN .050 DIA MOUNTING HOLE

8041-1G6=TEST JACK ASSY	1-1437502-8
8041-1G4-1=TEST JACK ASSY	1-1437502-6
DESCRIPTION	TE P/N

THIS DRAWING IS A CONTROLLED DOCUMENT.		DWN	17JUN2013	TE TE Connectivity
DIMENSIONS: INCHES		W.WANG	17JUN2013	
TOLERANCES UNLESS OTHERWISE SPECIFIED:		S.LI	17JUN2013	
0 PLC ± - 1 PLC ± - 2 PLC ± - 3 PLC ± .005 4 PLC ± - ANGLES ± 1°		C.WANG	17JUN2013	
MATERIAL		APVD	17JUN2013	NAME
FINISH		PRODUCT SPEC		TEST JACK ASSY
		APPLICATION SPEC		SIZE
		WEIGHT	-	CAGE CODE
		CUSTOMER DRAWING		DRAWING NO
				RESTRICTED TO
				A2 00779
				SCALE 10:1 SHEET 1 of 1 REV A