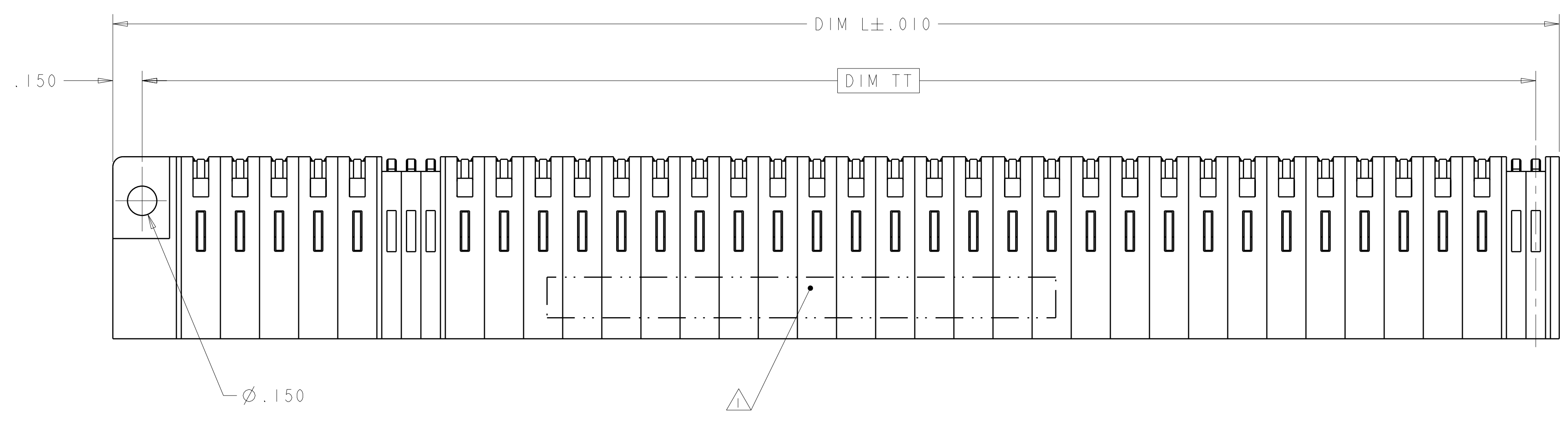
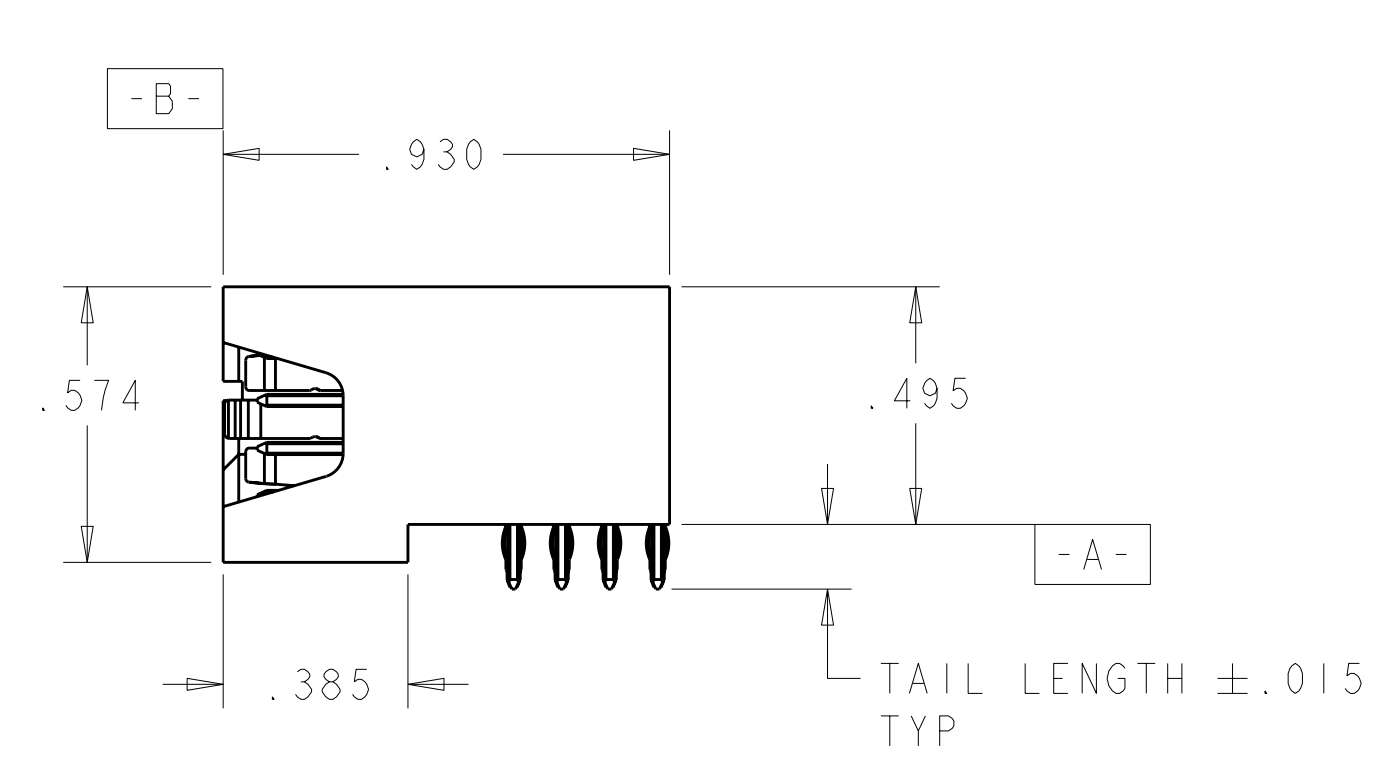
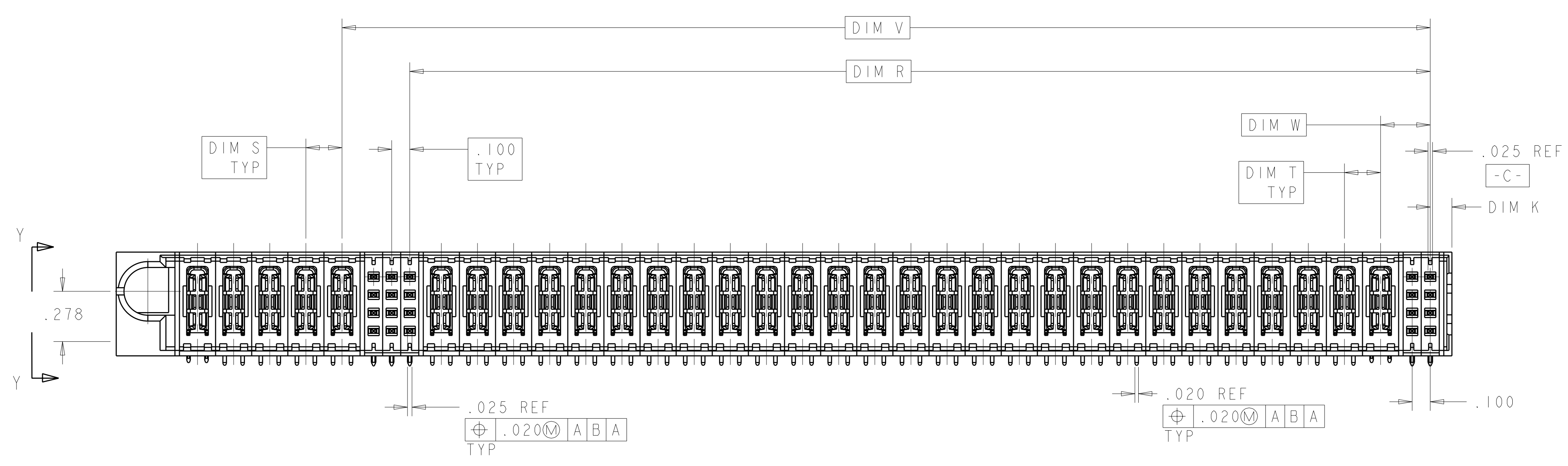


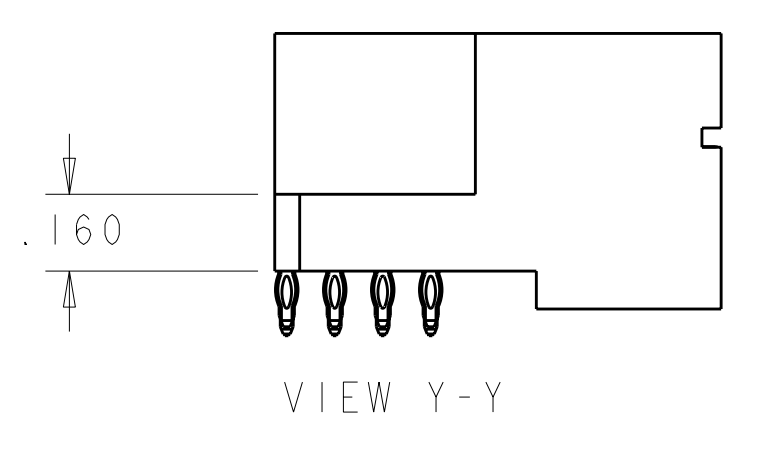
THIS DRAWING IS A CONTROLLED DOCUMENT
DRAWING NO. 1892224



- 1 MATERIAL - HOUSING: 704968-3, POLYTHALAMIDE
SIGNAL CONTACT: PHOS. BRONZE
POWER CONTACT: Cu ALLOY
CONTACT PLATING- Ni UNDERPLATED ALL OVER.
.000030 GOLD AT MATING SURFACE.
AND Sn ON SOLDER TAILS
- 2 MAXIMUM OVERALL LENGTH OF A PART IS 8.00 INCH.
- 3 DIM LL FOR STANDARD SIGNAL CONTACT: .254;
DIM LL FOR MLBF SIGNAL CONTACT: .204.
- 4 "AMP", PART NUMBER AND DATE CODE PER AMP SPEC.115-1143.
ANNOTATION HEIGHT TO BE BETWEEN .050 AND .093
PLACE ANNOTATION IN AREA SHOWN, MARKING ON BOTH
SIDES PERMITTED FOR PARTS UNDER 2.00 LONG.



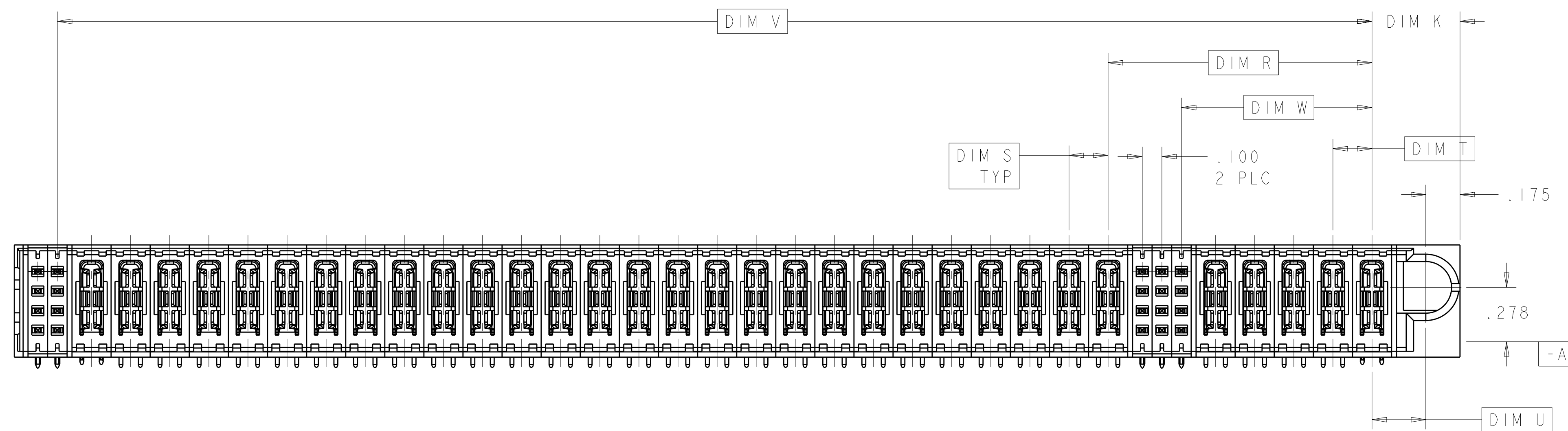
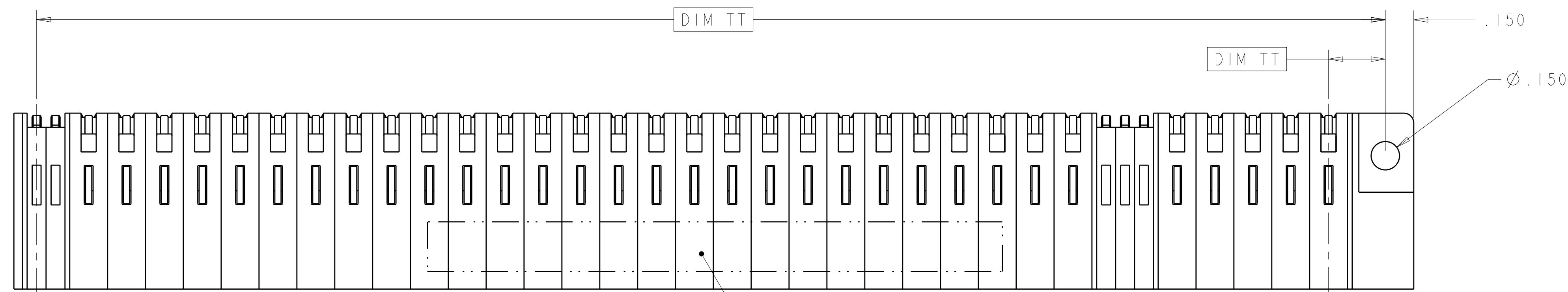
PART NUMBER: 1892224-1



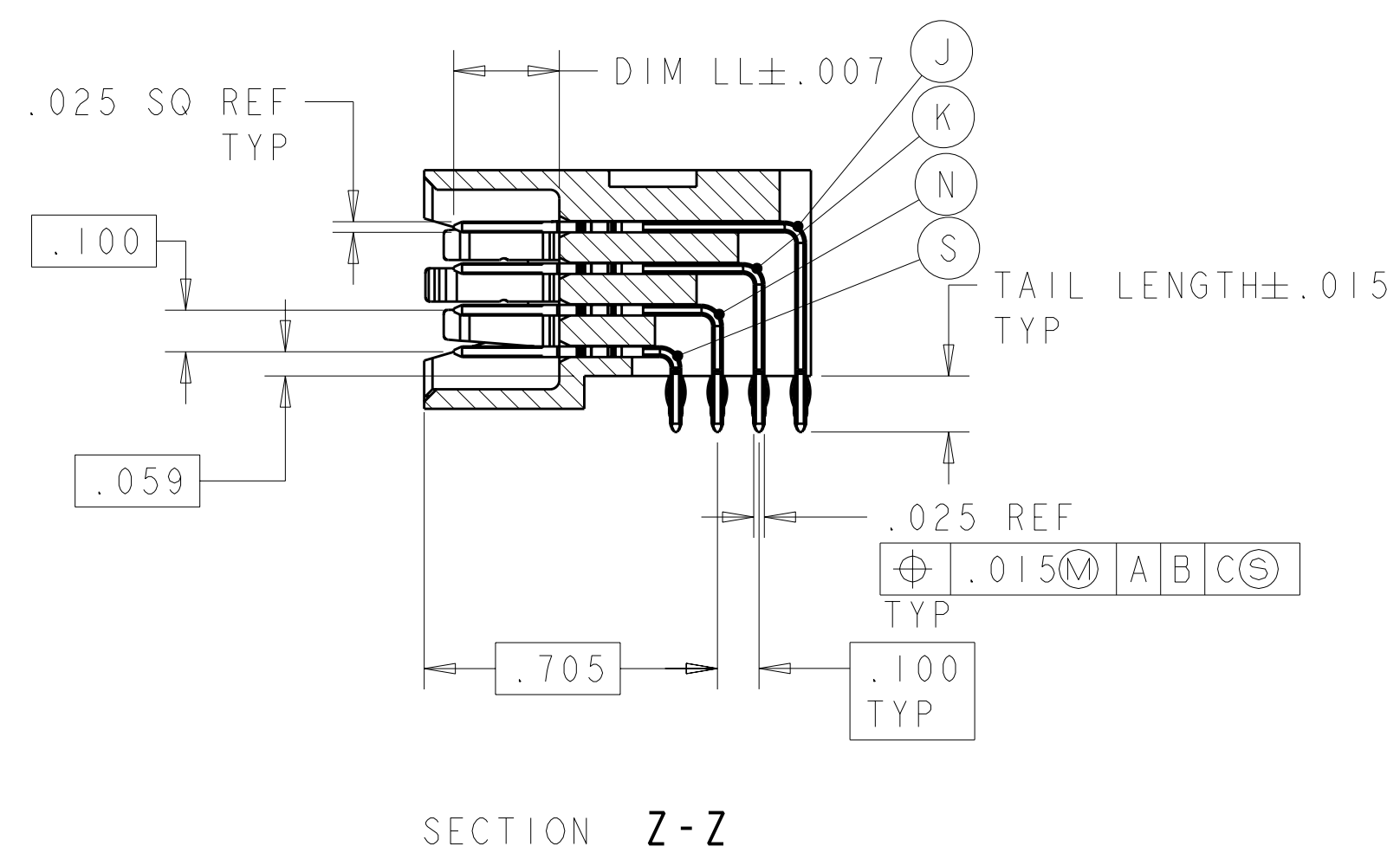
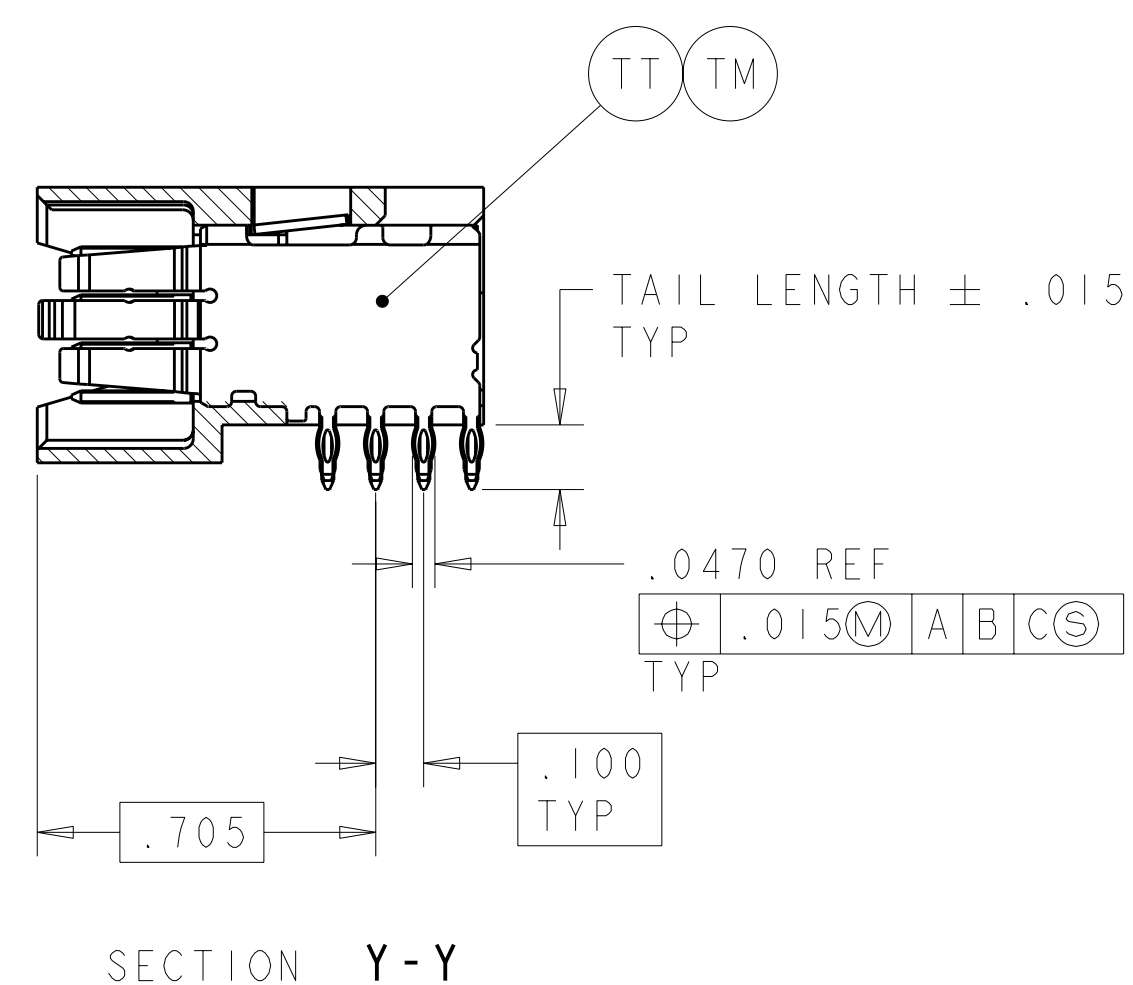
.300	.275	.200	.200	6.725	1.350	.975	.450	7.395	8S + 27P + 12S + 5P	1892224-2
7.125	7.100	.200	.200	6.025	5.650	.275	.120	7.395	5P + 12S + 27P + 8S	1892224-1
DIM TT	DIM U	DIM S	DIM T	DIM V	DIM R	DIM W	DIM K	DIM L	DESCRIPTION	PART NUMBER

LOC ES D1S1 00	AMP 3300-8 REV 31MAR2000	Pro/ENGINEER DRAWING	8	7	6	5	4	3	2	1	
DIMENSIONS: INCHES TOLERANCES UNLESS OTHERWISE SPECIFIED: 0 PLC ± 1 PLC ± 2 PLC ±.01 3 PLC ±.005 4 PLC ±.0020		DIMENSIONS: INCHES ANGLE: 2° SURFACE TEXTURE:		DIMENSIONS: INCHES ANGLE: 2° SURFACE TEXTURE:		DIMENSIONS: INCHES ANGLE: 2° SURFACE TEXTURE:		DIMENSIONS: INCHES ANGLE: 2° SURFACE TEXTURE:		DIMENSIONS: INCHES ANGLE: 2° SURFACE TEXTURE:	
REVISION RECORD AI REV PER ECR-11-000430 12JAN2011 IL SZ A REV PER ECR-06-021122 30AUG2006 SZ SX		DATE DWN 30AUG2006		SCALE 3:1		SIZE A1		DRAWING NO. 1892224		SHEET 1 OF 3	
DWN S.ZHAO 29AUG2006 CHK S.ZHAO 29AUG2006 APVD S.YAO		MATERIAL -		HEAT TREAT 1 2		Tyco Electronics Tyco Electronics Incorporated Shanghai, P.R.China.200233		NAME RIGHT ANGLE SOLDER HEADER ASSEMBLY WITH HOT PLUG PWR CONTACT		REV AI	

THIS INFORMATION IS CONFIDENTIAL AND PROPRIETARY TO TYCO ELECTRONICS CORPORATION. IT IS THE PROPERTY OF TYCO ELECTRONICS CORPORATION AND IS NOT TO BE REPRODUCED, COPIED, OR TRANSMITTED IN ANY FORM OR BY ANY MEANS, WITHOUT WRITTEN AUTHORIZATION FROM TYCO ELECTRONICS CORPORATION, HARRISBURG, PENNSYLVANIA, USA.



PART NUMBER 1892224-2



QTY	REV	DESCRIPTION	IDENTIFIER
1	1	SEE CHART	RIGHT ANGLE HEADER
5	5	7-1450911-5	SIGNAL CONTACT, STD, .135 TAIL LENGTH, ROW A
5	5	7-1450911-3	SIGNAL CONTACT, STD, .135 TAIL LENGTH, ROW A
5	5	7-1450911-1	SIGNAL CONTACT, STD, .135 TAIL LENGTH, ROW A
5	5	6-1450911-9	SIGNAL CONTACT, STD, .135 TAIL LENGTH, ROW A
2	2	1892083-3	MBXL POWER CONTACT, .135 PRESS FIT TAIL LENGTH
30	30	1892082-3	MBXL POWER CONTACT, .135 SOLDER TAIL LENGTH
-2	-1	PART NUMBER	

REV	DATE	BY	CHK	DESCRIPTION
1	29AUG2006	S.ZHAO	S.ZHAO	RIGHT ANGLE SOLDER HEADER ASSEMBLY WITH HOT PLUG PWR CONTACT

0 PLC ±	1 PLC ±	2 PLC ±	3 PLC ±	4 PLC ±
±.01	±.01	±.005	±.0020	

SCALE	SIZE	DRAWING NO.	SHEET	REV
3:1	A1	1892224	2 of 3	A1

THIS INFORMATION IS CONFIDENTIAL AND PROPRIETARY TO TYCO ELECTRONICS CORPORATION. IT IS THE PROPERTY OF TYCO ELECTRONICS CORPORATION AND IS NOT TO BE REPRODUCED, COPIED, OR TRANSMITTED IN ANY FORM OR BY ANY MEANS, WITHOUT WRITTEN AUTHORIZATION FROM TYCO ELECTRONICS CORPORATION, HARRISBURG, PENNSYLVANIA, USA.

LOC
ES
D1S1
00

