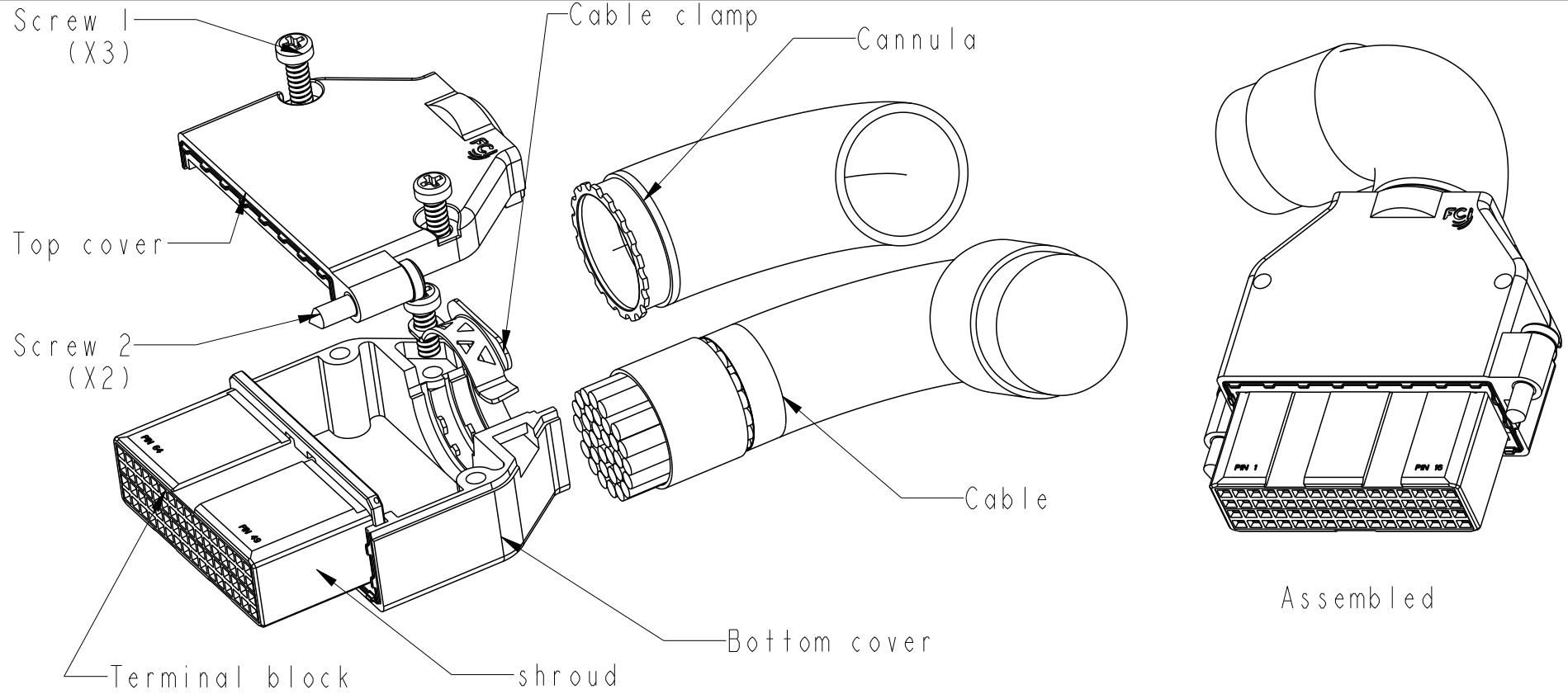


1	2	3	4
Kits	Top cover	Bottom Cover	Cable Clamp
10118971-X01LF	1	1	1
10118971-X02LF	1	1	1
10118971-X03LF	1	1	1
10118971-X04LF	1	1	1
N/A	Qty		

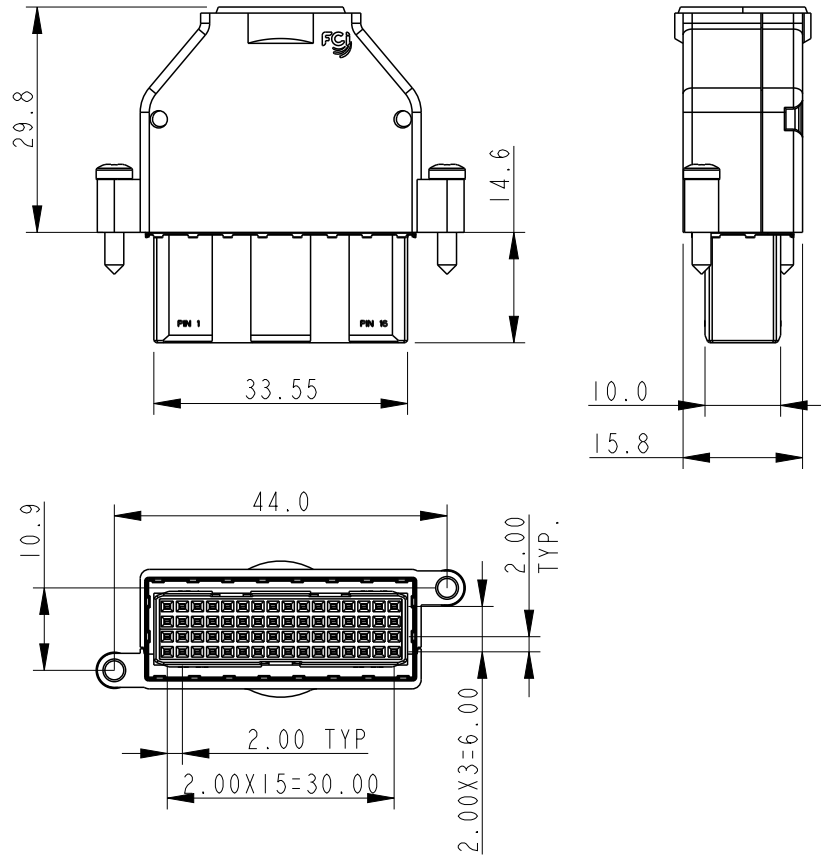
Shroud	Terminal Block	Screw 1	Screw 2	Cannula	Wire
1	2	3	2	1	24&26
1	2	3	2	1	28&30
1	2	3	2	N/A	24&26
1	2	3	2	N/A	28&30
					N/A



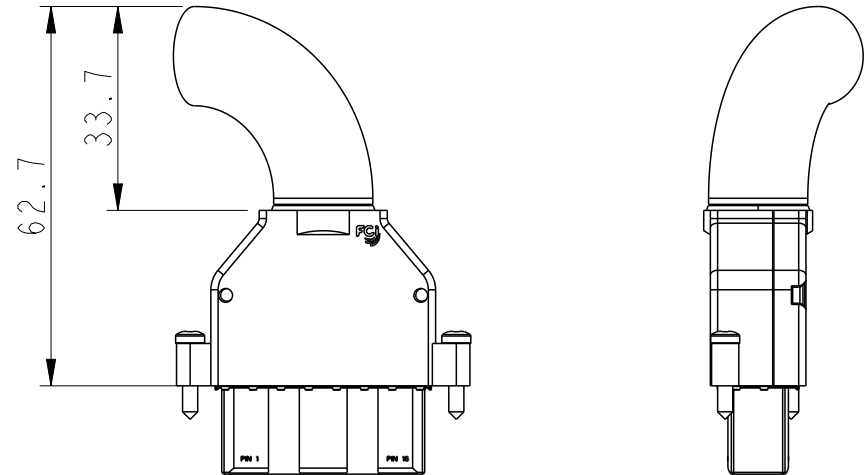
spec ref	dr	De-Feng Qin	2011/10/23	projection	MM	size	A4	scale	1:1	
tolerance std	eng	Narayanan, Aru	2021/01/28			ecn no		ELX-I-39745-1		
ISO 406 ISO 1101	chr	-	-			rel level		Released		
TOLERANCES UNLESS OTHERWISE SPECIFIED		appr	Kuriakose, San	2021/01/28	product family					
surface	linear	0.X	±0.3		title		64p EITL cable kits		dwg no 10118971	rev C
		0.XX	±0.15		Vertical cable outlet					
		0.XXX	±0.050		cat. no.		Product - Customer Drw			
ISO 1302	angular	0°	±3°	amphenol-icc.com		sheet 1 of 2				

Creo F114:ELX-IC:ACC,REV F,2020-12-21

10118971-X03LF/X04LF



10118971-X01LF/X02LF



Notes:

- This product is not intended to be exposed to a manufacturing solder process.
- Material:  
Die-casting cover & Cannula: Zn alloy with Cu, Nickle & bright Tin plating.  
Shroud & terminal block housing: PBT  
Terminal contact: Copper alloy  
Screw: Stainless steel
- For plating performance refer drawing # 10159408.  $\triangle$
- Cable O.D:  $\varnothing$ 13~16.2mm
- Product specification : GS-12-587  
Packaging specification : GS-14-1306  
Application specification : GS-20-123
- This product meets european union directives as  $\triangle$  described in gs-47-0004.
- Applicable wire insulation  $\varnothing$ 0.90MM Max.  $\triangle$
- A  $\triangle$  symbol will be next to any dimension, view, or note which has been modified with the current drawing revision.

spec ref		dr De-Feng Qin		2011/10/23		projection		size A4		scale 1:1	
tolerance std		eng Narayanan, Aru		2021/01/28				MM		ecn no ELX-I-39745-1	
ISO 406 ISO 1101		chr -		-						rel level Released	
surface		appr Kuriakose, San		2021/01/28		product family		dwg no 10118971		rev C	
ISO 1302		TOLERANCES UNLESS OTHERWISE SPECIFIED		Amphenol FCI		title 64p EITl cable kits		Product - Customer Drw		sheet 2 of 2	
		linear		amphenol-icc.com		cat. no.		STATUS:Released		Printed: Jan 28, 2021	
		angular									