

# IM-6700A Series

**Fast Ethernet modules for IKS-6726A-2GTXSFP/IKS-6728A-4GTXSFP/  
IKS-6728A-8PoE-4GTXSFP series switches**

## Specifications

### Fast Ethernet Interface Modules, IM-6700A series



IM-6700A-8TX



IM-6700A-8SFP\*



IM-6700A-6SSC  
IM-6700A-6MSC



IM-6700A-6MST



IM-6700A-2MSC4TX  
IM-6700A-2SSC4TX



IM-6700A-2MST4TX



IM-6700A-4MSC2TX  
IM-6700A-4SSC2TX



IM-6700A-4MST2TX



IM-6700A-8PoE\*\*

\*See the SFP-1FE datasheet for Fast Ethernet module product information.

\*\*IM-6700A-8PoE is supported by the IKS-6728A-8PoE series

### Interface

**RJ45 Ports:** 10/100BaseT(X) auto negotiation speed, Full/Half duplex mode, and auto MDI/MDI-X connection

**Fiber Ports:** 100BaseFX ports (SC/ST or SFP LC connector)

**LED Indicators:** 10/100 for TP port, 100M for fiber port

**PoE Ports:** 10/100BaseT(X) auto negotiation speed, Full/Half duplex mode, and auto MDI/MDI-X connection, IEEE 802.3af/at standards, Mode A

### Power Requirements

**Power Consumption:**

IM-6700A-8TX: 1.43 W

IM-6700A-8PoE: 1.43 W (w/o PoE output)

IM-6700A-8SFP: 9.95 W

IM-6700A-6MSC, -6MST, -6SSC: 8.20 W

IM-6700A-4MSC2TX, -4MST2TX, -4SSC2TX: 5.72 W

IM-6700A-2MSC4TX, -2MST4TX, -2SSC4TX: 3.45 W

### Physical Characteristics

**Weight:**

IM-6700A-8TX: 225 g

IM-6700A-8PoE: 260 g

IM-6700A-8SFP: 295 g

IM-6700A-6MSC, -6MST, -6SSC: 390 g

IM-6700A-4MSC2TX, -4MST2TX, -4SSC2TX: 270 g

IM-6700A-2MSC4TX, -2MST4TX, -2SSC4TX: 270 g

### Reliability

**MTBF (mean time between failures):**

IM-6700A-8TX: 10,412,400 hrs

IM-6700A-8SFP: 3,510,110 hrs

IM-6700A-6MSC: 366,119 hrs

IM-6700A-6MST: 365,741 hrs

IM-6700A-6SSC: 365,741 hrs

IM-6700A-4MSC2TX: 530,268 hrs

IM-6700A-4MST2TX: 537,942 hrs

IM-6700A-2MSC4TX: 1,031,180 hrs

IM-6700A-2MST4TX: 1,031,180 hrs

IM-6700A-2SSC4TX: 1,031,180 hrs

IM-6700A-8PoE: 338,800 hrs

**Database:** Telcordia (Bellcore), GB

### Optical Fiber

	100BaseFX	
	Multi-mode	Single-mode
Wavelength	1300 nm	1310 nm
Max. TX	-10 dBm	0 dBm
Min. TX	-20 dBm	-5 dBm
RX Sensitivity	-32 dBm	-34 dBm
Link Budget	12 dB	29 dB
Typical Distance	5 km <sup>a</sup> 4 km <sup>b</sup>	40 km <sup>c</sup>
Saturation	-6 dBm	-3 dBm

a. 50/125 μm, 800 MHz\*km fiber optic cable

b. 62.5/125 μm, 500 MHz\*km fiber optic cable

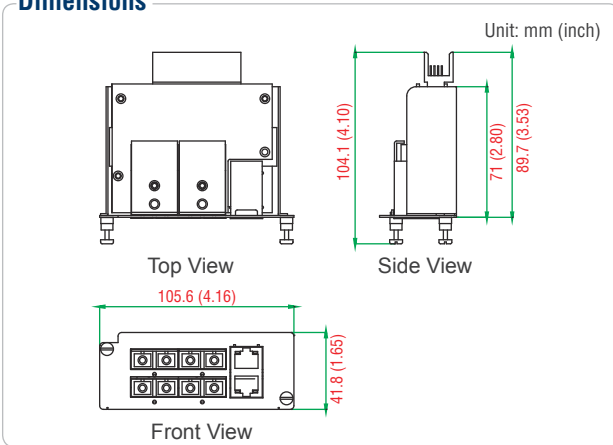
c. 9/125 μm single-mode fiber optic cable

### Warranty

**Warranty Period:** 5 years

**Details:** See [www.moxa.com/warranty](http://www.moxa.com/warranty)

### Dimensions



### Ordering Information

#### Compatible Rackmount Ethernet Switch Systems

##### Modular Rackmount Ethernet Switch System:

IKS-6726A-2GTXSFP



IKS-6728A-4GTXSFP



IKS-6728A-8PoE



#### Fast Ethernet Modules, IM-6700A Series

Available Models	Port Interface				
	10/100BaseT(X)	100BaseFX			100BaseSFP*
		Multi-mode, SC Connector	Multi-mode, ST Connector	Single-mode, SC Connector	
IM-6700A-8TX	8	–	–	–	–
IM-6700A-8SFP	–	–	–	–	8
IM-6700A-6MSC	–	6	–	–	–
IM-6700A-6MST	–	–	6	–	–
IM-6700A-6SSC	–	–	–	6	–
IM-6700A-4MSC2TX	2	4	–	–	–
IM-6700A-4MST2TX	2	–	4	–	–
IM-6700A-4SSC2TX	2	–	–	4	–
IM-6700A-2MSC4TX	4	2	–	–	–
IM-6700A-2MST4TX	4	–	2	–	–
IM-6700A-2SSC4TX	4	–	–	2	–
IM-6700A-8PoE	8 (PoE+ ports)	–	–	–	–

#### Package Checklist

- IM-6700A series interface module
- Warranty card

# SFP-1FE Series

## 1-port Fast Ethernet SFP modules



- > IEEE 802.3u compliant
- > Differential PECL inputs and outputs
- > TTL signal detect indicator
- > Hot pluggable LC duplex connector
- > Class 1 laser product; complies with EN 60825-1



### Specifications

#### Interface

Ethernet Ports: 1

Connectors: Duplex LC Connector

#### Optical Fiber

	Fast Ethernet		
	SFP-M	SFP-S	SFP-L
Wavelength	1300 nm	1310 nm	1550 nm
Max. TX	-8 dBm	0 dBm	0 dBm
Min. TX	-18 dBm	-5 dBm	-5 dBm
RX Sensitivity	-34 dBm	-34 dBm	-34 dBm
Link Budget	26 dB	29 dB	29 dB
Typical Distance	4 km <sup>a</sup>	40 km <sup>b</sup>	80 km <sup>b</sup>
Saturation	0 dBm	-3 dBm	-3 dBm

a. 50/125 μm or 62.5/125 μm, 800 MHz \* km @ 1300 nm multi-mode fiber optic cable  
 b. 9/125 μm single-mode fiber optic cable

#### Environmental Limits

Operating Temperature: -40 to 85°C (-40 to 185°F)

Storage Temperature: -40 to 85°C (-40 to 185°F)

Ambient Relative Humidity: 5 to 95% (non-condensing)

#### Standards and Certifications

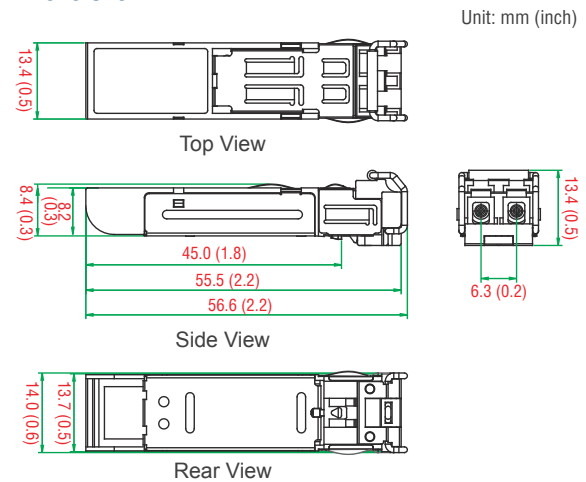
Safety: UL 60950-1, TÜV

#### Warranty

Warranty Period: 5 years

Details: See [www.moxa.com/warranty](http://www.moxa.com/warranty)

#### Dimensions



### Ordering Information

Available Models	Port Interface			
	Wide Temperature (-40 to 85°C)	100BaseFX, Multi-mode, LC Connector, 4 km	100BaseFX, Single-mode, LC Connector, 40 km	100BaseFX, Single-mode, LC Connector, 80 km
SFP-1FEMLC-T		1	-	-
SFP-1FESLC-T		-	1	-
SFP-1FELLC-T		-	-	1

#### Available Models

The SFP-1FE series modules can be used with the following products:

IM-G7000A-4GSFP, IM-G7000-4GSFP, ICS-G7826A/ G7828A series, ICS-G7826/G7828 series, ICS-G7526A/G7528A series, ICS-G7526/G7528 series, IKS-G6524A/G6824A series, IKS-G6524/G6824 series, IKS-6726A/6728A series, IKS-6726/6728 series, IM-6700A-8SFP, IM-6700-8SFP, EDS-611/619 series, EDS-G516E series, EDS-G512E series, EDS-G509 series, EDS-510E series, EDS-G308-2SFP, EDS-210A series, IKS-6728A-8PoE series, IKS-6728-8PoE series, EDS-P510A-8PoE series, EDS-P510 series, PM-7200-8SFP, EDR-G903/G902 series

#### Package Checklist

- SFP-1FE module
- Warranty card