

Flat suction pad (round)

SUF 30 NBR-55 G1/8-AG

Part no...:10.01.01.14088

<https://www.schmalz.com/10.01.01.14088>

Home > Vacuum Technology for Automation > Vacuum Components > Vacuum Suction Cups > Flat Suction Cups (Round) > Flat Suction Cups SUF > SUF 30 NBR-55 G1/8-AG

Flat suction cup (round) for process safe handling of smooth or slightly rough surfaces



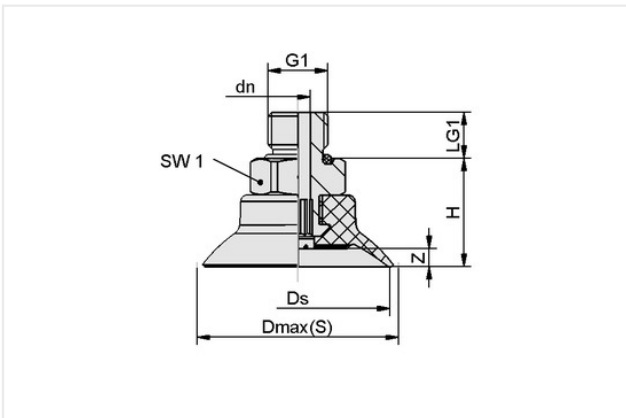
Size: 30

Suction cup material: Nitrile rubber NBR

Material hardness [Shore A]: 55 Shore A

Vacuum connection: G1/8"-M

Design Data



Attribute	Value
Dmax(S)	33.30 mm
Ds	30 mm
dn	4.10 mm
G1	G1/8"-M
H	17.70 mm
LG1	7.50 mm
SW1	14 mm
Z (Stroke)	3 mm

Technical Data

Attribute	Value
Suction force (-600mbar)	34 N
Pull-off force	34 N
Volume	1.60 cm ³
Curve radius (min) (convex)	35 mm
Hose diameter (empf.) d	4 mm
Size	30
Suction cup material	Nitrile rubber NBR
Material hardness [Shore A]	55 Shore A

Contact Schmalz

Schmalz Inc. | 5850 Oak Forest Drive, Raleigh, NC 27616, United States | +1 (919) 713-0880 | schmalz.us@schmalz.com

Flat suction pad (round)

SUF 30 NBR-55 G1/8-AG

Part no...:10.01.01.14088

<https://www.schmalz.com/10.01.01.14088>

Weight	11.20 g
Product family	SUF
Number of folds	0

Note: Suction force: The specified suction forces are theoretical values at a vacuum of -0.6 bar and with a dry, smooth and flat workpiece surface - they do not include a safety factor
Hose diameter: The recommended hose diameter refers to a hose length of approx. 2 m

Spare parts



SC 040 G1/8-AG

Part no...:10.01.06.02490

Connection geometry: 040

Connection: G1/8"-M

Length L1: 20.2 mm

Fitting length: 6 mm

Nominal diameter dn: 4.1 mm



SUF 30 NBR-55 SC040

Part no...:10.01.01.13949

Size: 30

Suction cup material: Nitrile rubber NBR

Material hardness [Shore A]: 55 Shore A