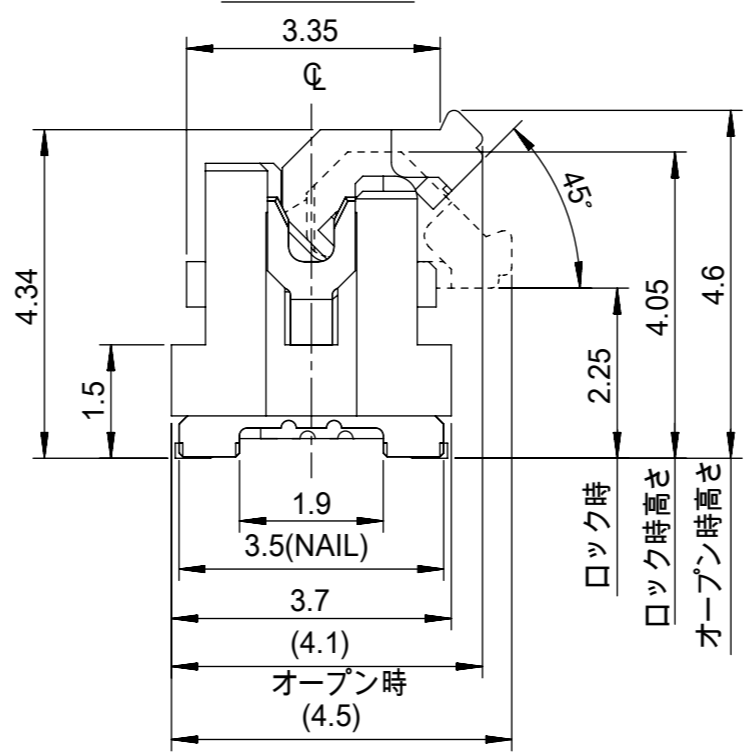


断面図 (参考)



注記 NOTES

1. 使用材料 MATERIAL
 ハウジング : 液晶ポリマー ガラス充填, UL94V-0(白)
 HOUSING LIQUID CRYSTAL POLYMER
 GLASS FILLED, UL94V-0 (WHITE)
 アクチュエータ : ポリアミド 9T, ガラス充填, UL94V-0(茶)
 ACTUATOR POLYAMIDE 9T, GLASS FILLED,
 UL94V-0 (BROWN)
 ターミナル : 銅合金(t=0.15)
 TERMINAL COPPER ALLOY
 金具 : 銅合金(t=0.2)
 FITTING NAIL COPPER ALLOY
 2. めっき仕様 PLATING
 ターミナル TERMINAL
 コンタクト部 : 部分金めっき (0.1μm以上)
 テール部 : 部分金めっき
 下地 : ニッケルめっき (1.0μm以上)
 CONTACT AREA : SEPARATED GOLD PLATING
 (0.1 MICROMETER MINIMUM)
 SOLDER TAIL AREA : SEPARATED GOLD PLATING
 UNDERPLATE : NICKEL OVERALL
 金具 FITTING NAIL
 ニッケル下地 錫めっき
 錫めっき (1.0μm以上)
 ニッケルめっき (1.0μm以上)
 TIN(Sn) OVER NICKEL(Ni) PLATING.
 TIN PLATING (1.0 MICROMETER MINIMUM)
 NICKEL PLATING (1.0 MICROMETER MINIMUM)
 3. テールと金具を併せた平坦度は 0.1ミリメートル以下(リフロー前)
 TAILS AND NAILS COPLANARITY
 TO BE 0.1 MAX. (BEFORE REFLOW)
 4. ELV及びRoHS適合品
 ELV AND RoHS COMPLIANT
- △ R0.3は、FPC導体部にかからないこと。
 R0.3 MUST NOT BE OVERLAPPED
 TO PATTERN OF FPC.

8	35.7	37.1	37.4	34.5	37.8	501951-7010	70
	30.7	32.1	32.4	29.5	32.8	501951-6010	60
	25.7	27.1	27.4	24.5	27.8	501951-5010	50
	23.2	24.6	24.9	22.0	25.3	501951-4510	45
	20.7	22.1	22.4	19.5	22.8	501951-4010	40
	16.7	18.1	18.4	15.5	18.8	501951-3210	32
	15.7	17.1	17.4	14.5	17.8	501951-3010	30
	12.7	14.1	14.4	11.5	14.8	501951-2410	24
	11.7	13.1	13.4	10.5	13.8	501951-2210	22
10.7	12.1	12.4	9.5	12.8	501951-2010	20	
F	E	D	C	B	A	EMBOSSED PACKAGE オーダー番号 ORDER NO.	CIRCUITS

CONNECTOR SERIES NO. 501951-**19

GENERAL TOLERANCES (UNLESS SPECIFIED)	
0.25 UNDER	±0.03
0.25 OVER 0.5 UNDER	±0.05
0.5 OVER 1.0 UNDER	±0.1
1.0 OVER 10 UNDER	±0.2
10 OVER 30 UNDER	±0.25
30 OVER	±0.3
ANGULAR	±1°

THIS DRAWING CONTAINS INFORMATION THAT IS PROPRIETARY TO MOLEX ELECTRONIC TECHNOLOGIES, LLC AND SHOULD NOT BE USED WITHOUT WRITTEN PERMISSION

DIMENSION UNITS: mm SCALE: 10:1

CURRENT REV DESC: REVISED

molex

0.5 FPC CONN. HSG ASSY
EASY ON / STRAIGHT (GOLD)

PRODUCT CUSTOMER DRAWING

EC NO: 637653
 DRWN: TNAKAGAWA01 2020/05/15
 CHK'D: HSHIMOYAMA 2020/05/15
 APPR: SHOSHIKAWA 2020/05/15

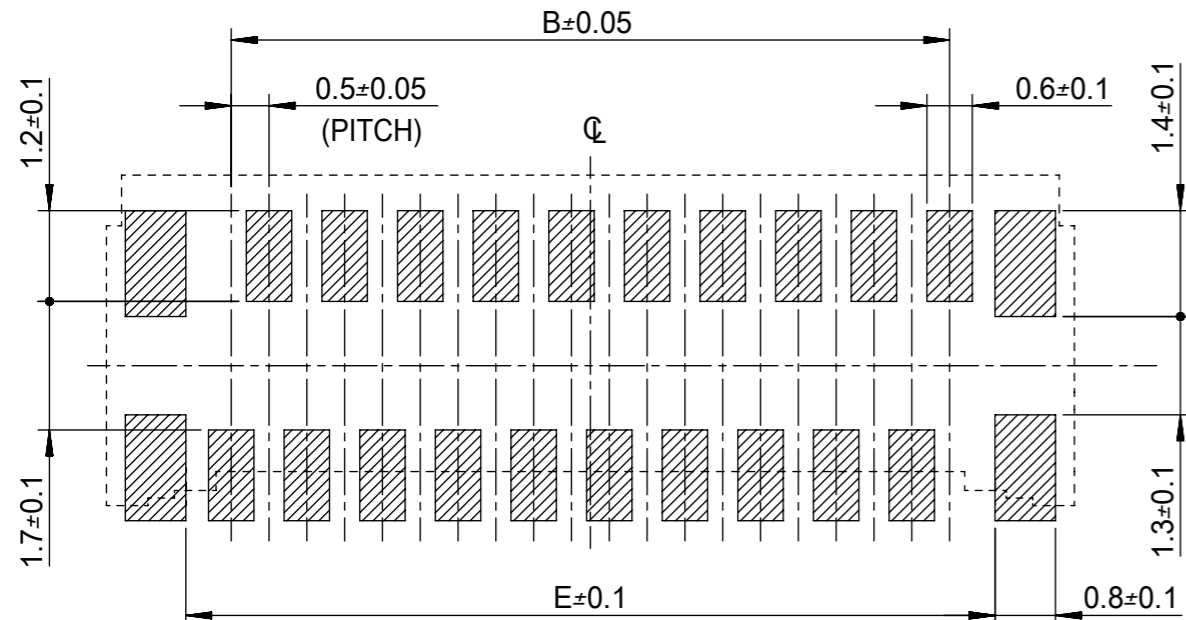
INITIAL REVISION:
 DRWN: TRSUZUKI 2006/08/31
 APPR: HHIRATA 2006/09/05

DOCUMENT NUMBER: SD-501951-003
 DOC TYPE: PSD
 DOC PART: 001
 REVISION: G

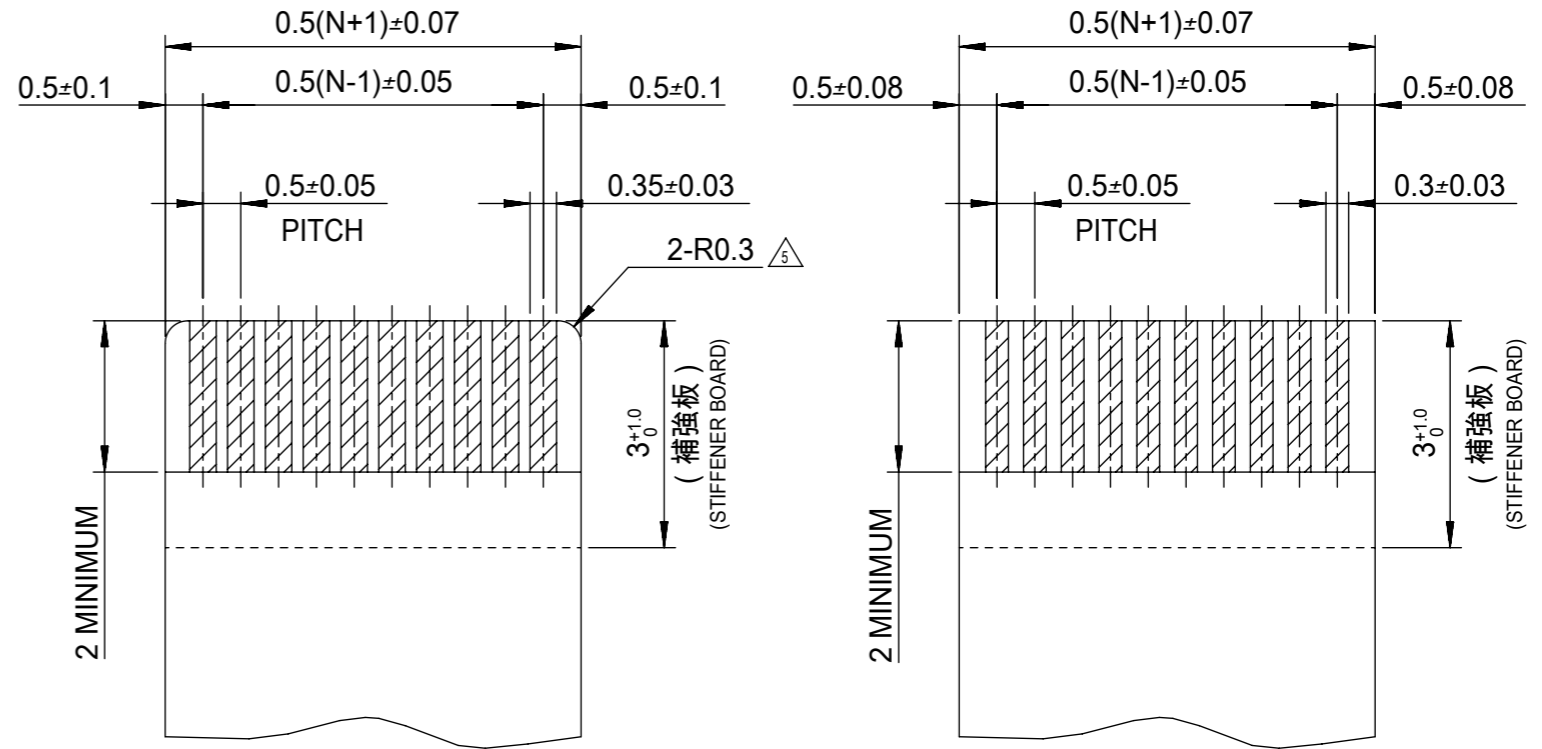
DRAFT WHERE APPLICABLE MUST REMAIN WITHIN DIMENSIONS

THIRD ANGLE PROJECTION

DRAWING: A3-SIZE
 SERIES: 501951
 MATERIAL NUMBER: SEE TABLE
 CUSTOMER: GENERAL MARKET
 SHEET NUMBER: 1 OF 2



参考基板レイアウト (マウント面)
P.C.BOARD PATTERN DIMENSION(REF.)
(MOUNT AREA)



適合FPC推奨寸法 N:極数 N:CIRCUITS
APPLICABLE FPC RECOMMENDED DIMENSION
(仕上がり厚さ: 0.3±0.05)
(THICKNESS: 0.3±0.05)

適合FFC推奨寸法 N:極数 N:CIRCUITS
APPLICABLE FFC RECOMMENDED DIMENSION
(仕上がり厚さ: 0.3±0.05)
(THICKNESS: 0.3±0.05)

FPCについて ABOUT FPC

補強フィルム材質はポリイミドを推奨します。ベースフィルムは25μmを推奨します。
接着剤は熱硬化接着剤を推奨します。
尚、接着剤の接点部への付着は導通不良の原因になりますので、染み出しが無い様お願い致します。

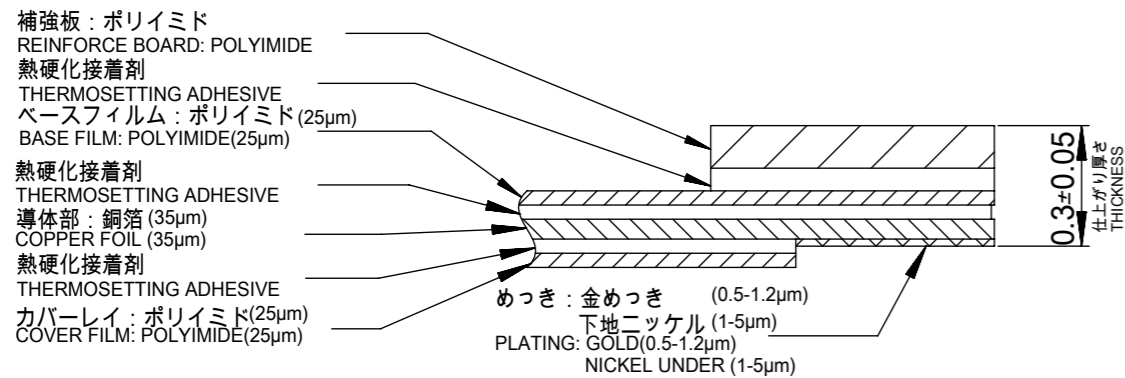
RECOMMENDED MATERIAL/THICKNESS.
RECOMMENDED STIFFENER MATERIAL: POLYIMIDE
RECOMMENDED BASE FILM THICKNESS: 25 MICROMETER
RECOMMENDED ADHESIVE: THERMOSETTING ADHESIVE

NOTE: PLEASE PUT APPROPRIATE AMOUNT OF ADHESIVE ON ADHEREND BECAUSE THERE IS A POSSIBILITY THAT THE EXTRA ADHESIVE CAUSES THE DEFECT IN ELECTRICAL CONTINUITY.
THERE IS A POSSIBILITY THAT THE PRESCRIPT TEMPERATURE OF FFC IS SET TO SINGLE IT.

FPC/FFCについて ABOUT FPC/FFC

打ち抜き方向は導体側から補強板側を推奨します。
導体部については軟箔銅35μmまたは50μmを推奨します。
FFCに規定された定格温度がFFC単体前提である場合が御座います。
コネクタと組み合わせての実使用において、接着層が劣化するなどの信頼性を満足できないケースを回避するため、実機での評価/確認をお願い致します。

RECOMMENDED PUNCHING DIRECTION: FROM CONDUCTOR SIDE TO STIFFENER SIDE
RECOMMENDED CONDUCTOR SPEC: SOFT COPPER FOIL
RECOMMENDED CONDUCTOR THICKNESS: 35 MICROMETER OR 50 MICROMETER
NOTE: WHEN ACTUALLY USING IT WITH CONNECTOR, PLEASE DO THE EVALUATION AND THE CONFIRMATION WITH AN ACTUAL EQUIPMENT TO EVADE THE CASE WHERE RELIABILITY CANNOT BE FILLED (THE ADHESIVE LINE OF FFC IS DETERIORATED ETC.)

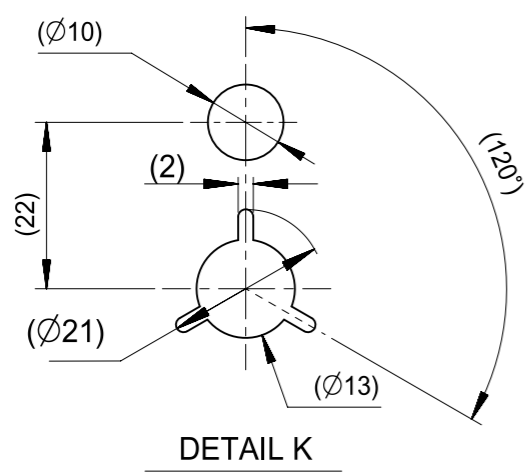
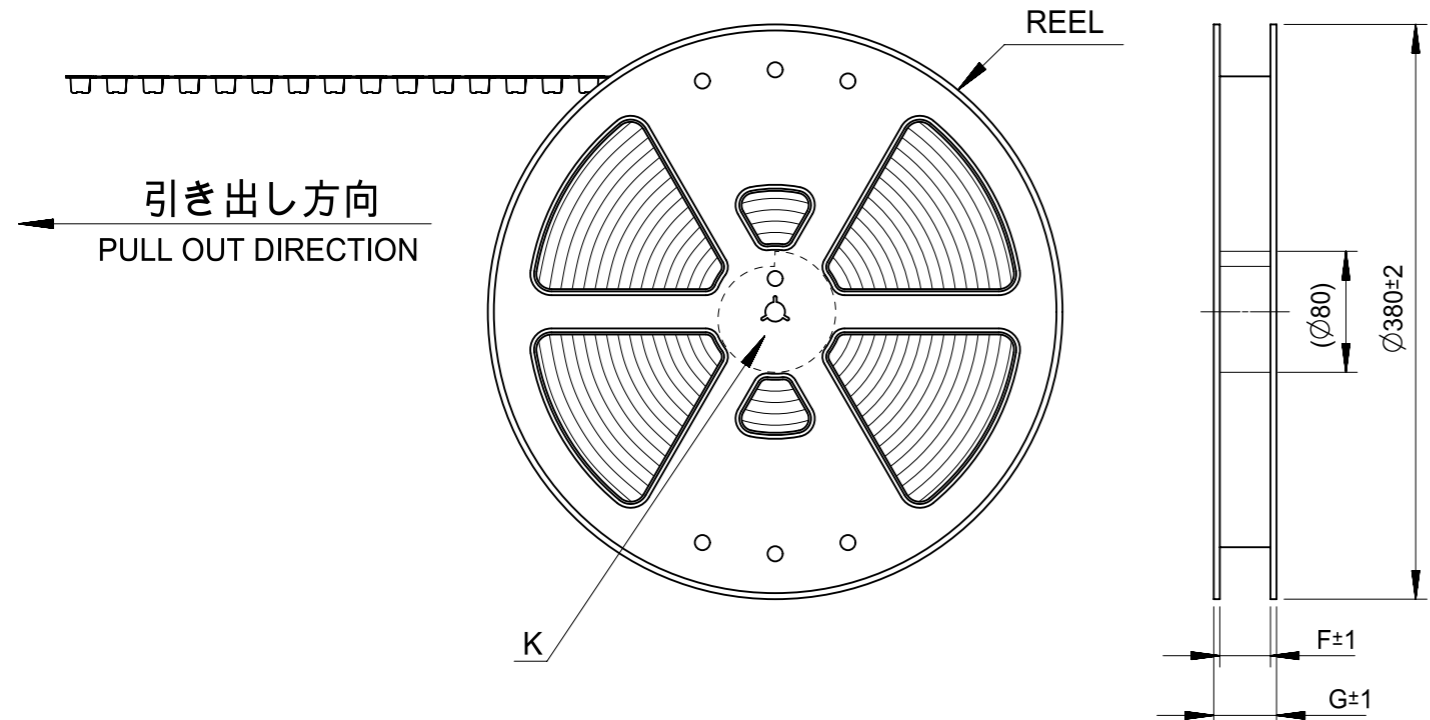


FPC構成推奨仕様
STRUCTURE OF FPC

GENERAL TOLERANCES (UNLESS SPECIFIED)	
0.25 UNDER	±0.03
0.25 OVER 0.5 UNDER	±0.05
0.5 OVER 1.0 UNDER	±0.1
1.0 OVER 10 UNDER	±0.2
10 OVER 30 UNDER	±0.25
30 OVER	±0.3
ANGULAR	±1°

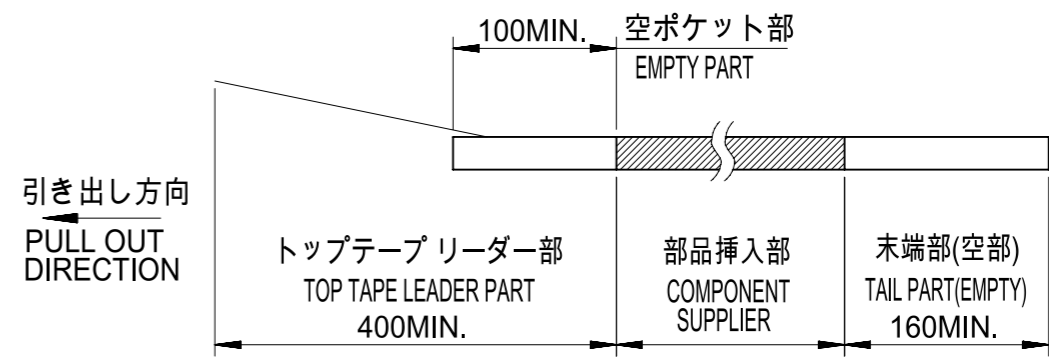
THIS DRAWING CONTAINS INFORMATION THAT IS PROPRIETARY TO MOLEX ELECTRONIC TECHNOLOGIES, LLC AND SHOULD NOT BE USED WITHOUT WRITTEN PERMISSION

DIMENSION UNITS	SCALE	CURRENT REV DESC: REVISED	
mm	10:1		
GENERAL TOLERANCES (UNLESS SPECIFIED)		EC NO: 637653	
ANGULAR TOL	± 1.0°	DRWN: TNAKAGAWA01	2020/05/15
4 PLACES	± 0.2	CHK'D: HSHIMOYAMA	2020/05/15
3 PLACES	± 0.25	APPR: SHOSHIKAWA	2020/05/15
2 PLACES	± 0.3	INITIAL REVISION:	
1 PLACE	± 0.05	DRWN: TRSUZUKI	2006/08/31
0 PLACES	±	APPR: HHIRATA	2006/09/05
DRAFT WHERE APPLICABLE MUST REMAIN WITHIN DIMENSIONS		THIRD ANGLE PROJECTION	DRAWING
		⊕	A3-SIZE
		SERIES	501951
		MATERIAL NUMBER	SEE SHEET 1
		CUSTOMER	GENERAL MARKET
		DOCUMENT NUMBER	SD-501951-003
		DOC TYPE	PSD
		DOC PART	001
		REVISION	G
		SHEET NUMBER	
		2 OF 2	



NOTES

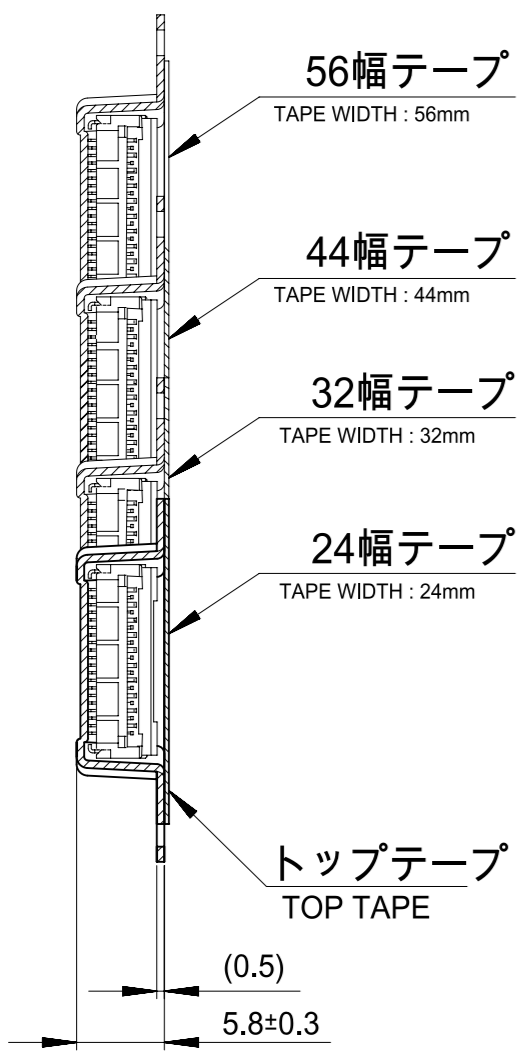
- 製品詳細寸法については図面 SD-501951-003を参照下さい。
FOR DIMENSIONS OF PRODUCT, REFER TO SD-501951-003.
- 梱包数量：2000個/リール
NUMBER OF CONNECTORS：2000PIECES/REEL
- リードテープ長さ
LEAD TAPE LENGTH



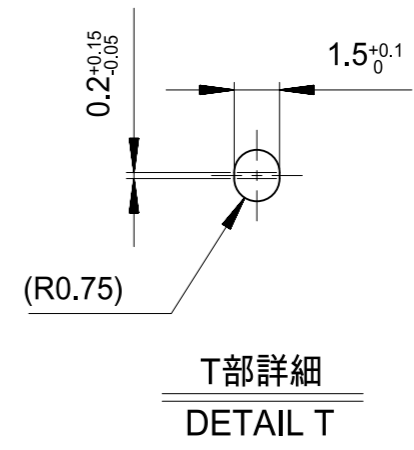
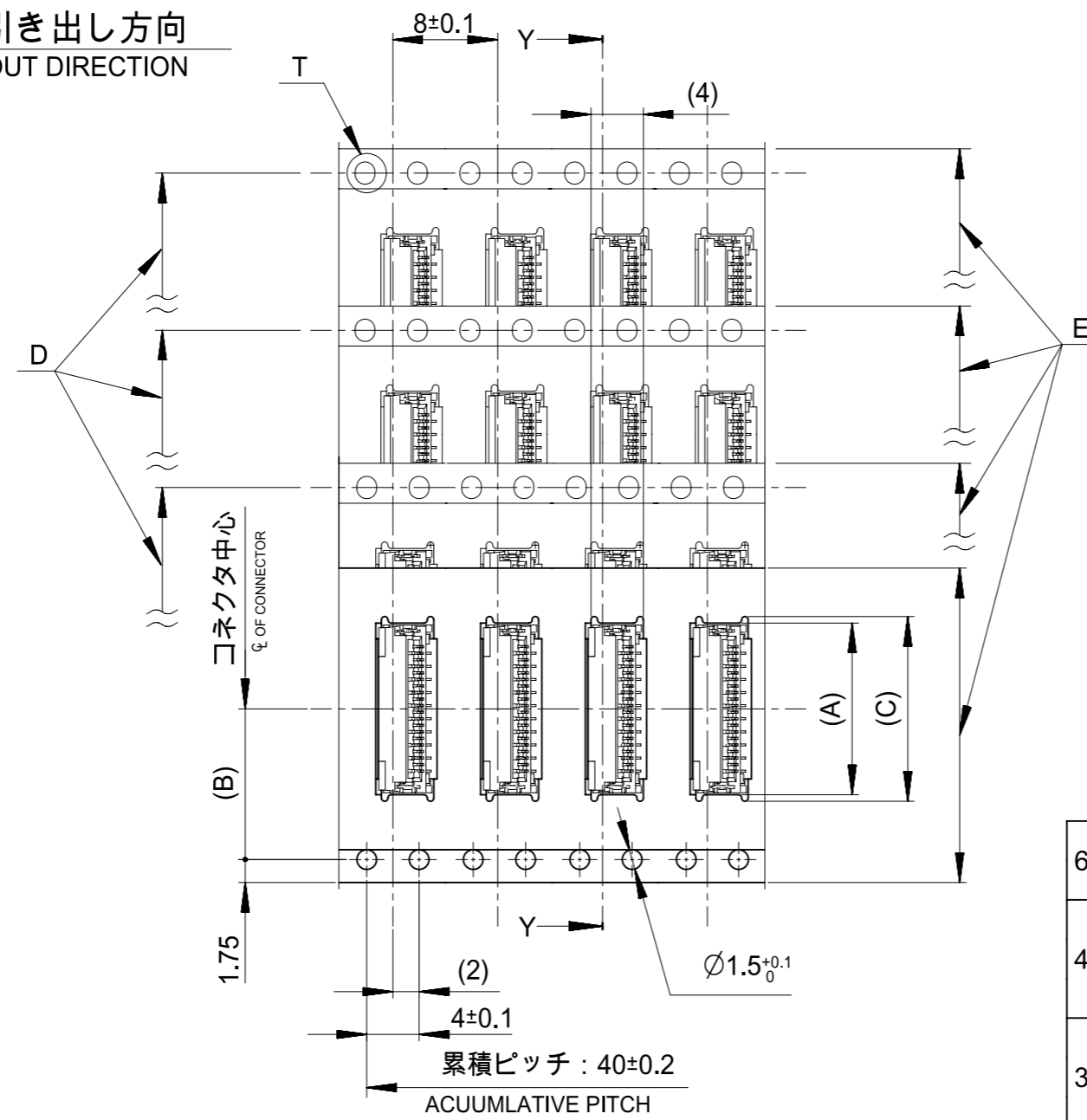
- トップテープの剥離強度については、IEC60286-3に準拠
TOP TAPE PEEL FORCE IS DEFINED BY IEC 60286-3.
- 材料 MATERIAL
キャリアテープ：ポリスチレン
CARRIER TAPE：POLYSTYRENE
トップテープ：ポリエチレンテレフタレート、ポリエチレン
TOP TAPE：POLYETHYLENE TEREPHTHALATE, POLYETHYLENE
リール：ポリスチレン<リサイクル材を含む>
REEL：POLYSTYRENE<RECYCLE MATERIAL CONTAINED>
- ELV及びRoHS適合品 ELV AND RoHS COMPLIANT

THIS DRAWING CONTAINS INFORMATION THAT IS PROPRIETARY TO MOLEX ELECTRONIC TECHNOLOGIES, LLC AND SHOULD NOT BE USED WITHOUT WRITTEN PERMISSION									
DIMENSION UNITS		SCALE		CURRENT REV DESC:				molex	
mm		10:1							
GENERAL TOLERANCES (UNLESS SPECIFIED)				EC NO: 601584				0.5 FPC CONN. HSG ASSY	
ANGULAR TOL ± 1.0 °				DRWN: SKAWAKAMI 2018/09/21				E/O STRAIGHT EMBSTP PKG (GOLD)	
4 PLACES ± 0.05				CHK'D: TRSUZUKI 2018/09/25					
3 PLACES ± 0.1				APPR: RTAKEUCHI 2018/12/25				PRODUCT CUSTOMER DRAWING	
2 PLACES ± 0.2				INITIAL REVISION:				DOCUMENT NUMBER	
1 PLACE ± 0.25				DRWN: TRSUZUKI 2006/08/31				SD-501951-004	
0 PLACES ± 0.3				APPR: HHIRATA 2006/09/05				PSD 001 F	
DRAFT WHERE APPLICABLE MUST REMAIN WITHIN DIMENSIONS		THIRD ANGLE PROJECTION		DRAWING		SERIES		MATERIAL NUMBER	
				A3-SIZE		501951		CUSTOMER	
								GENERAL MARKET	
								SHEET NUMBER	
								1 OF 2	

引き出し方向
PULL OUT DIRECTION



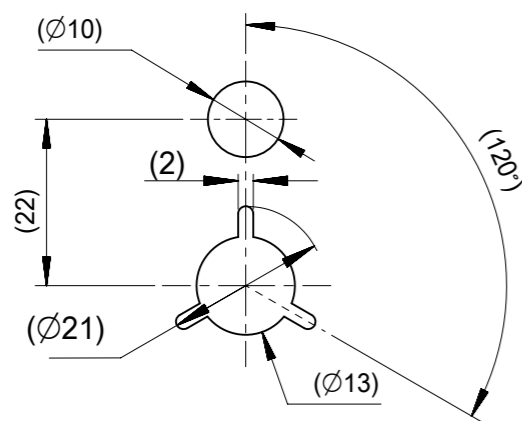
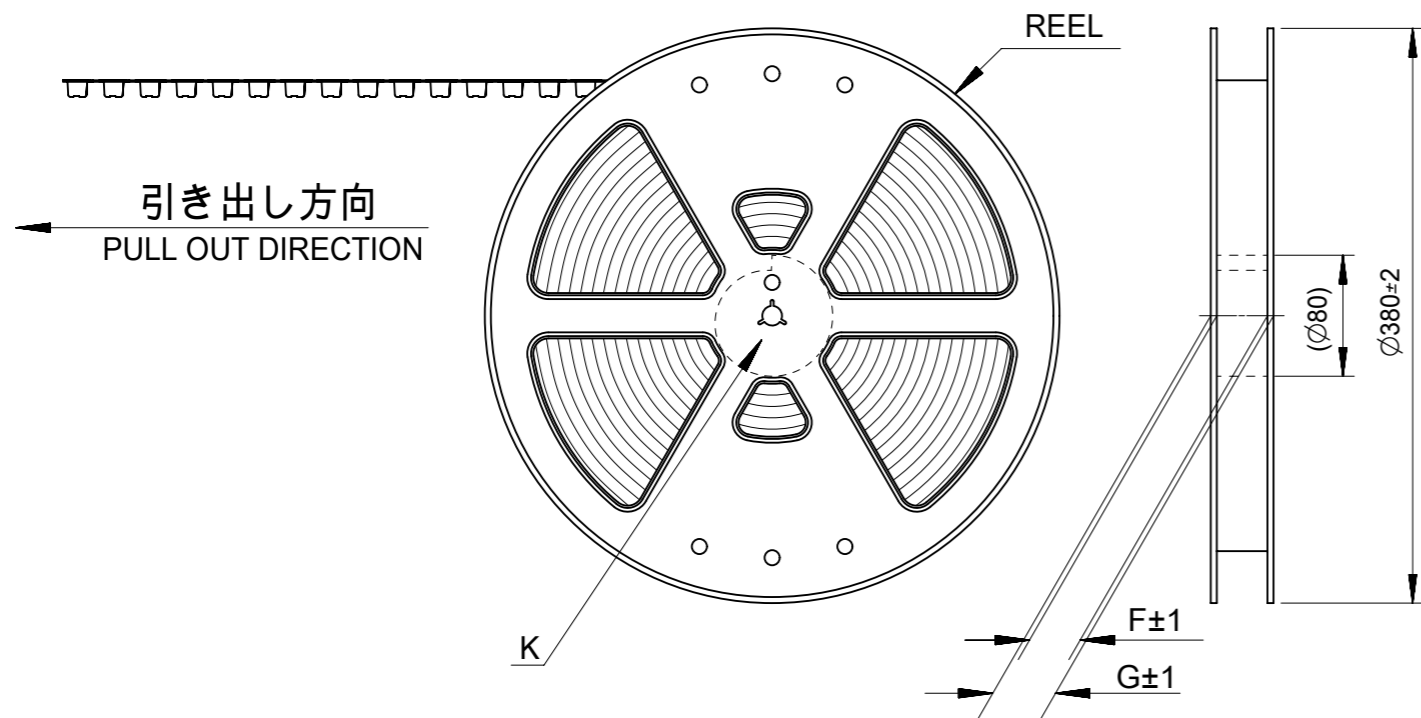
断面 Y-Y
SECTION Y-Y



61.4	57.4	56±0.3	52.4	39.1	26.2	38.1	501951-7010	70		
				34.1		33.1	501951-6010	60		
49.4	45.4	44±0.3	40.4	29.1	20.2	28.1	501951-5010	50		
				26.1		25.6	501951-4510	45		
				24.1		23.1	501951-4010	40		
37.4	33.4	32±0.3	28.4	20.1	14.2	19.1	501951-3210	32		
				19.1		18.1	501951-3010	30		
				16.1		15.1	501951-2410	24		
29.4	25.4	24±0.3	-	15.1	11.5	14.1	501951-2210	22		
				14.1		13.1	501951-2010	20		
G	F	E CARRIER TAPE WIDTH			D	(C)	(B)	(A)	MATERIAL NO.	CIRCUITS

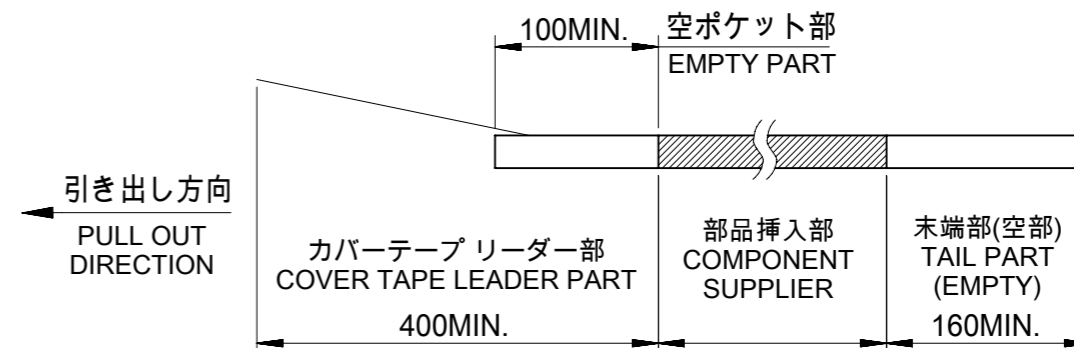
THIS DRAWING CONTAINS INFORMATION THAT IS PROPRIETARY TO MOLEX ELECTRONIC TECHNOLOGIES, LLC AND SHOULD NOT BE USED WITHOUT WRITTEN PERMISSION

DIMENSION UNITS mm	SCALE 10:1	CURRENT REV DESC:		molex			
GENERAL TOLERANCES (UNLESS SPECIFIED)		EC NO: 601584					
ANGULAR TOL	± 1.0 °	DRWN: SKAWAKAMI 2018/09/21		PRODUCT CUSTOMER DRAWING			
4 PLACES	± 0.05	CHK'D: TRSUZUKI 2018/09/25		DOCUMENT NUMBER			
3 PLACES	± 0.1	APPR: RTAKEUCHI 2018/12/25		SD-501951-004			
2 PLACES	± 0.2	INITIAL REVISION:		DOC TYPE			
1 PLACE	± 0.25	DRWN: TRSUZUKI 2006/08/31		PSD			
0 PLACES	± 0.3	APPR: HHIRATA 2006/09/05		DOC PART			
DRAFT WHERE APPLICABLE MUST REMAIN WITHIN DIMENSIONS		THIRD ANGLE PROJECTION		REVISION			
		DRAWING		001			
		SERIES		F			
		MATERIAL NUMBER		GENERAL MARKET			
		CUSTOMER		2 OF 2			
		SHEET NUMBER					



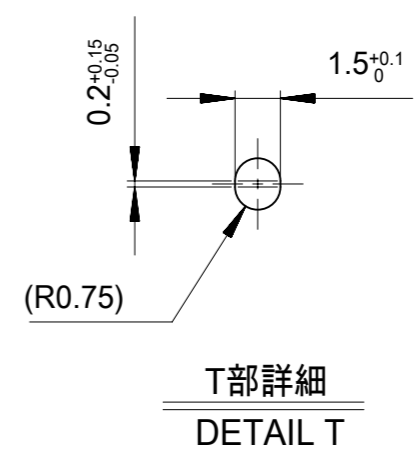
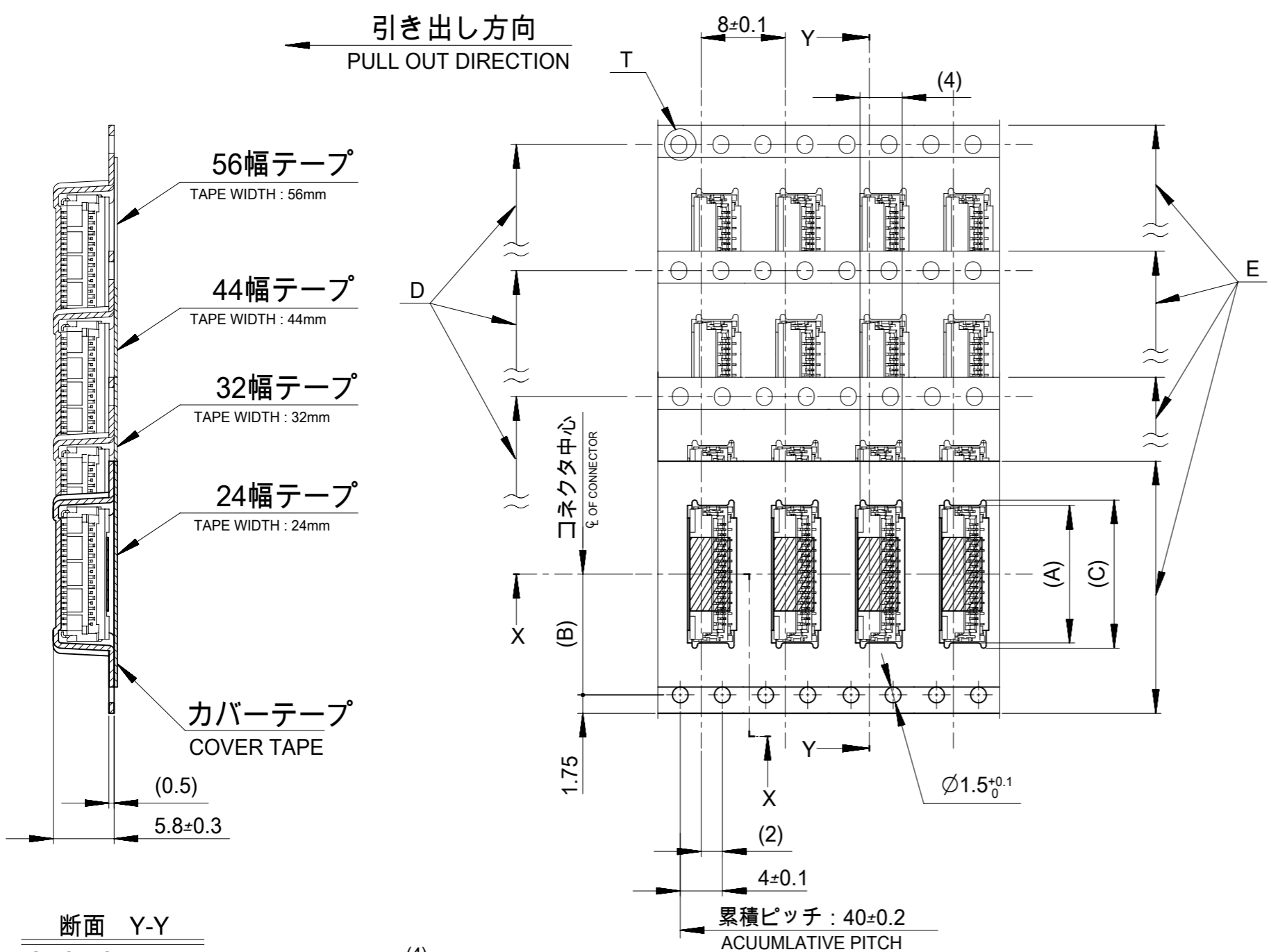
NOTES

- 製品詳細寸法については SD-501951-009を参照下さい。
FOR DIMENSIONS OF PRODUCT, REFER TO SD-501951-009.
- 梱包数量：2000個/リール
NUMBER OF CONNECTORS：2000PIECES/REEL
- リードテープ長さ
LEAD TAPE LENGTH



- カバーテープの剥離強度については、IEC60286-3に準拠。
COVER TAPE PEEL FORCE IS DEFINED BY IEC60286-3
- 材料 MATERIAL
キャリアテープ：ポリスチレン
CARRIER TAPE：POLYSTYRENE
カバーテープ：ポリエチレンテレフタレート, ポリエチレン
COVER TAPE：POLYETHYLENE TEREPHTHALATE, POLYETHYLENE
リール：ポリスチレン<リサイクル材を含む>
REEL：POLYSTYRENE<RECYCLE MATERIAL CONTAINED>
- ELV及びRoHS適合品
ELV AND RoHS COMPLIANT
- 本製品は 5019517010 の吸着テープ付き品である。
THIS PRODUCT IS COVER TAPE VERSION OF 5019517010.

THIS DRAWING CONTAINS INFORMATION THAT IS PROPRIETARY TO MOLEX ELECTRONIC TECHNOLOGIES, LLC AND SHOULD NOT BE USED WITHOUT WRITTEN PERMISSION										
DIMENSION UNITS	SCALE	CURRENT REV DESC:					molex			
mm	1:1									
GENERAL TOLERANCES (UNLESS SPECIFIED)		EC NO: 601584					0.5 FPC CONN. HSG ASSY E/O STRAIGHT EMBSTP PKG (GOLD)			
ANGULAR TOL	± 1.0 °	DRWN: SKAWAKAMI 2018/12/14					PRODUCT CUSTOMER DRAWING			
4 PLACES	± 0.25	CHK'D: TRSUZUKI 2018/12/25					DOCUMENT NUMBER			
3 PLACES	± 0.25	APPR: RTAKEUCHI 2018/12/25					SD-501951-010			
2 PLACES	± 0.25	INITIAL REVISION:					DOC TYPE			
1 PLACE	± 0.25	DRWN: NKONDO 2016/01/14					PSD			
0 PLACES	± 0.25	APPR: KMORIKAWA 2016/01/15					DOC PART			
DRAFT WHERE APPLICABLE MUST REMAIN WITHIN DIMENSIONS		THIRD ANGLE PROJECTION		DRAWING	SERIES	MATERIAL NUMBER		CUSTOMER		SHEET NUMBER
				A3-SIZE	501951	SEE CHART		GENERAL		1 OF 2



61.4	57.4	56±0.3	52.4	39.1	26.2	38.1	5019517020	70
G	F	E CARRIER TAPE WIDTH	D	(C)	(B)	(A)	EMBOSSED PACKAGE ORDER NO.	CIRCUITS

THIS DRAWING CONTAINS INFORMATION THAT IS PROPRIETARY TO MOLEX ELECTRONIC TECHNOLOGIES, LLC AND SHOULD NOT BE USED WITHOUT WRITTEN PERMISSION		CURRENT REV DESC:		molex	
DIMENSION UNITS mm	SCALE 1:1	EC NO: 601584			
GENERAL TOLERANCES (UNLESS SPECIFIED)		DRWN: SKAWAKAMI 2018/12/14		0.5 FPC CONN. HSG ASSY E/O STRAIGHT EMBSTP PKG (GOLD)	
ANGULAR TOL ± 1.0°		CHK'D: TRSUZUKI 2018/12/25		PRODUCT CUSTOMER DRAWING	
4 PLACES ± 0.25		APPR: RTAKEUCHI 2018/12/25		DOCUMENT NUMBER	
3 PLACES ± 0.25		INITIAL REVISION:		SD-501951-010	
2 PLACES ± 0.25		DRWN: NKONDO 2016/01/14		DOC TYPE DOC PART REVISION	
1 PLACE ± 0.25		APPR: KMORIKAWA 2016/01/15		PSD 001 A	
0 PLACES ± 0.25		DRAFT WHERE APPLICABLE MUST REMAIN WITHIN DIMENSIONS		MATERIAL NUMBER	
THIRD ANGLE PROJECTION		DRAWING		CUSTOMER	
A3-SIZE		SERIES		SHEET NUMBER	
501951		SEE CHART		GENERAL	
2 OF 2					