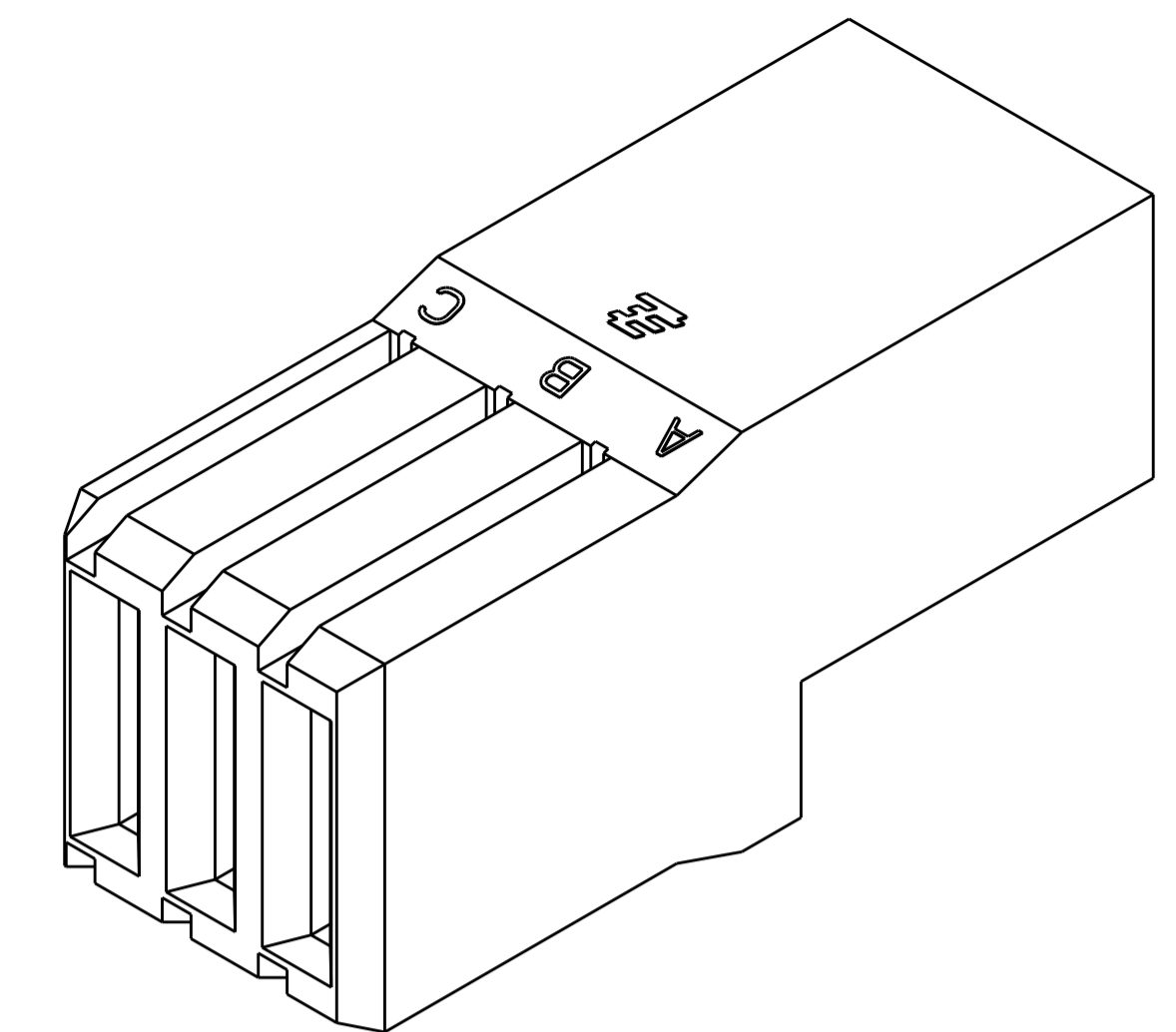
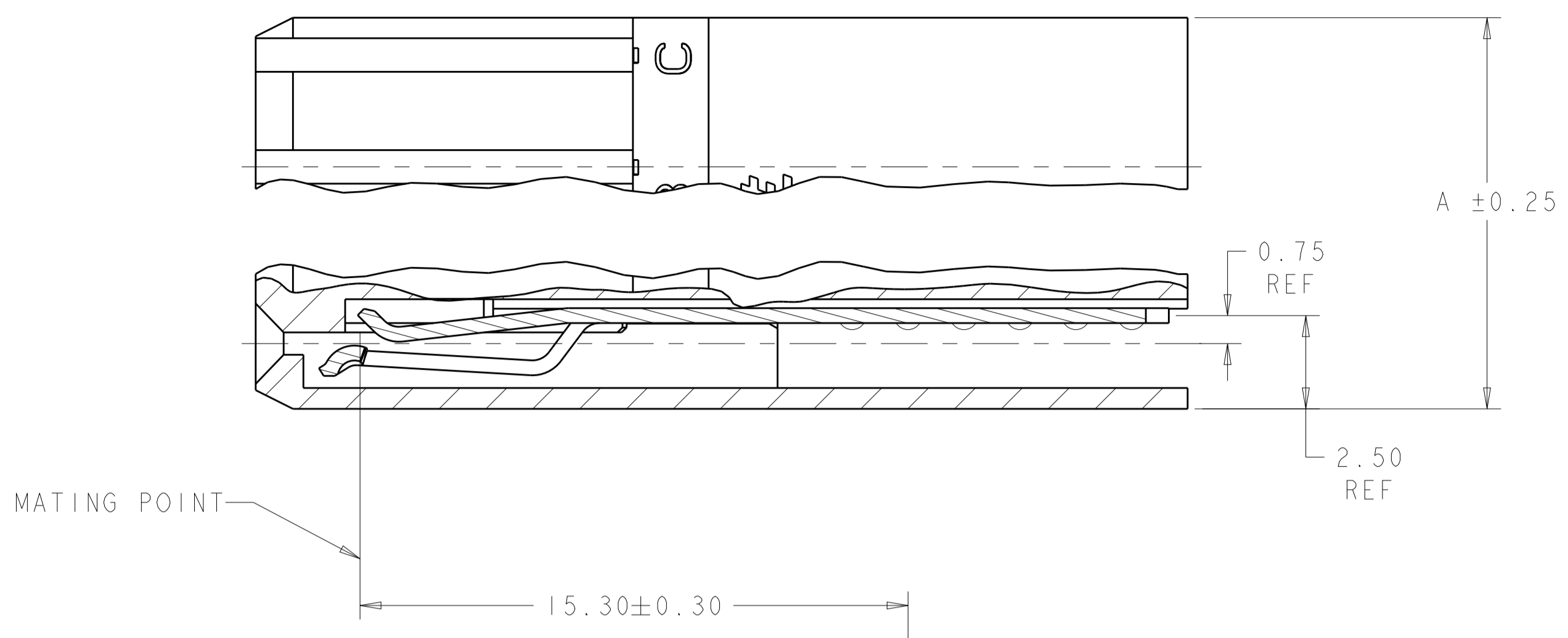
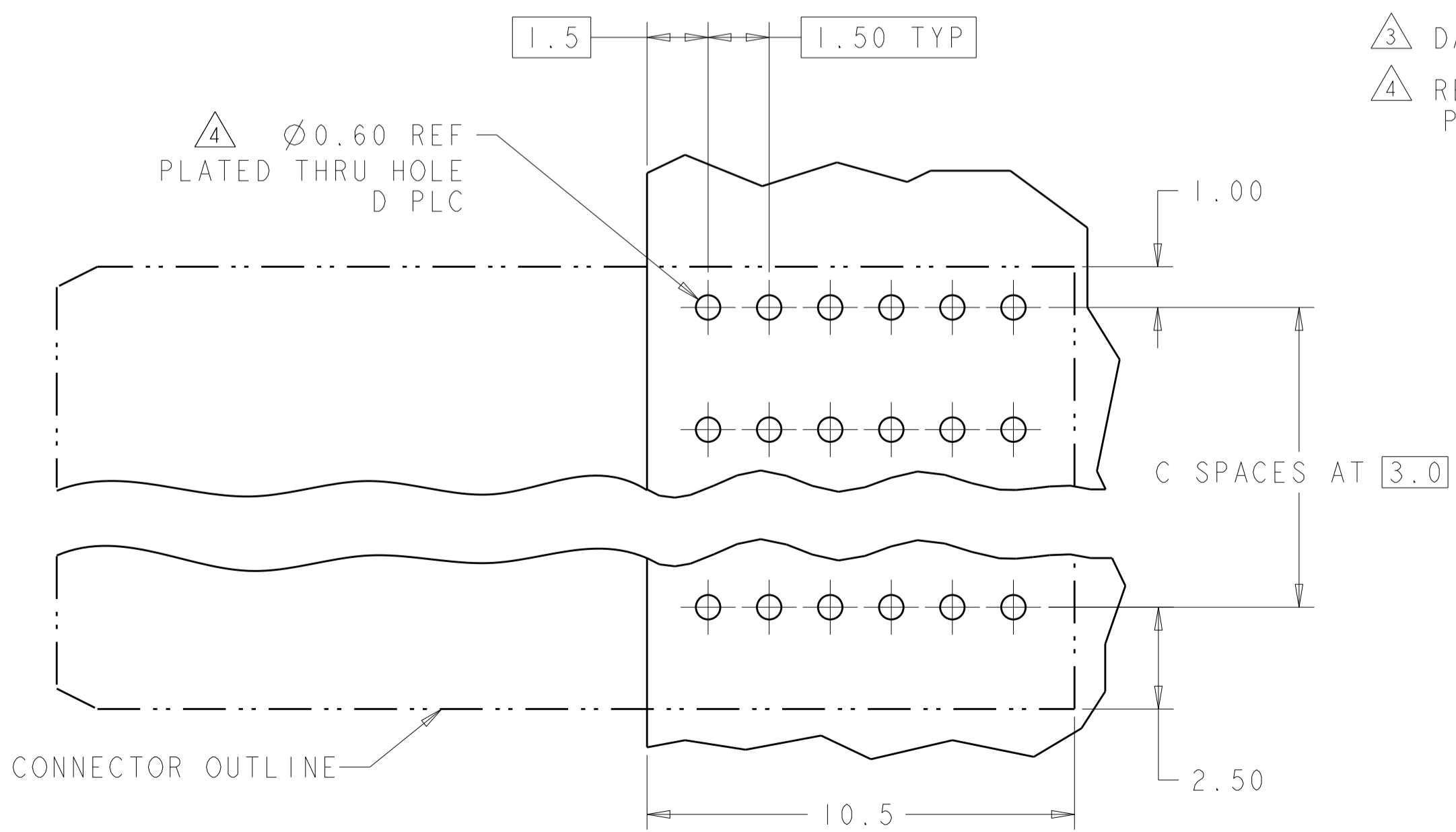
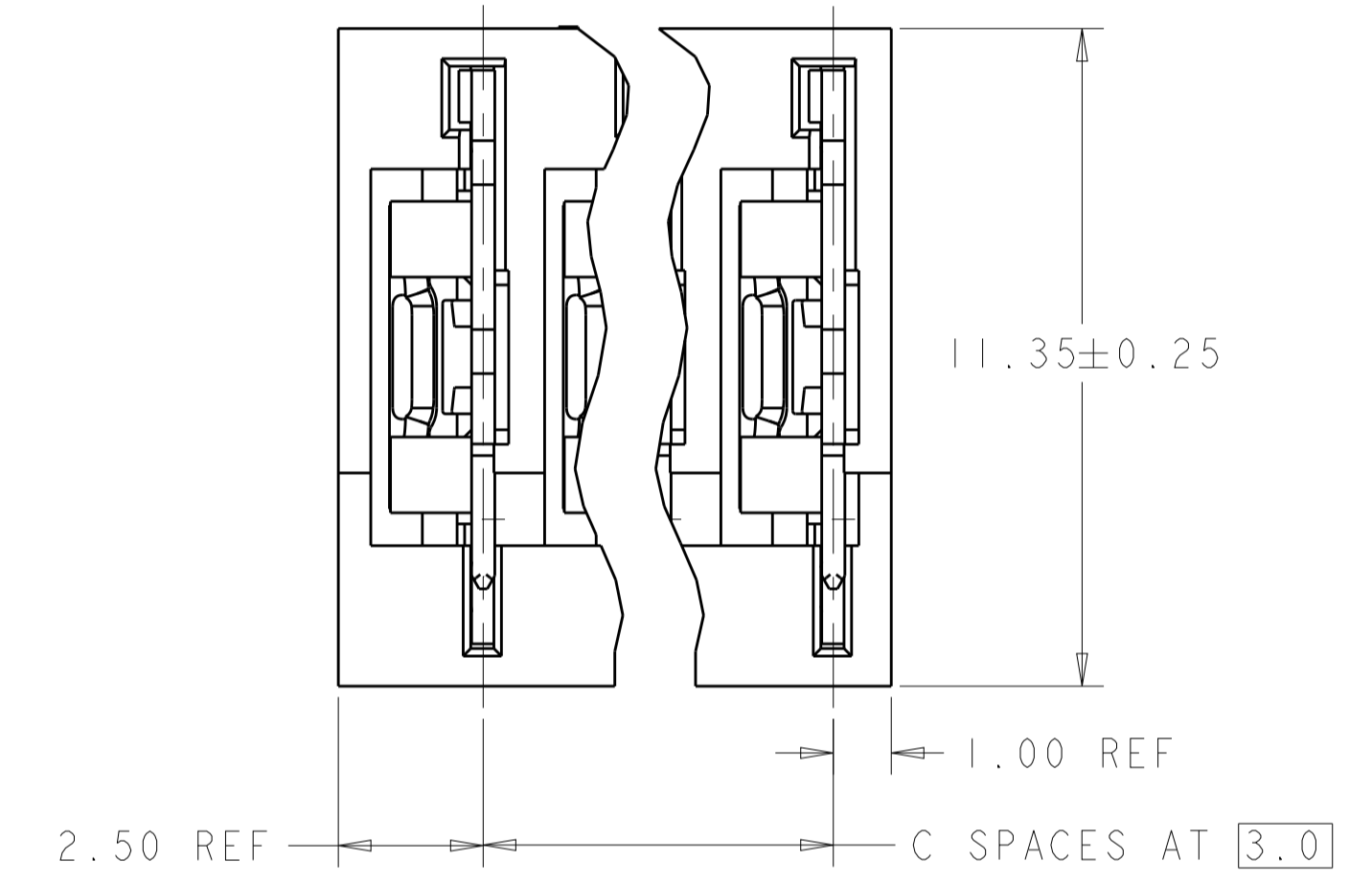
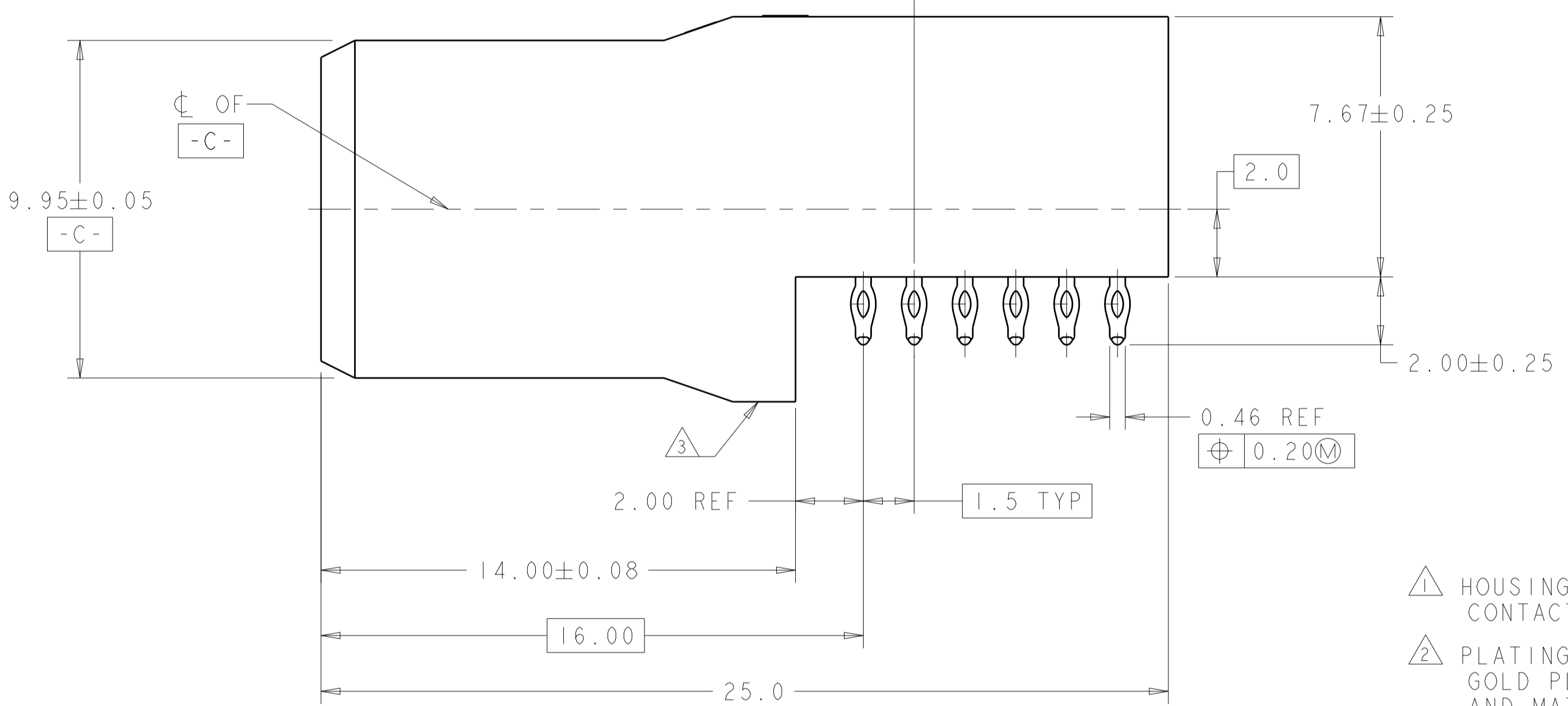
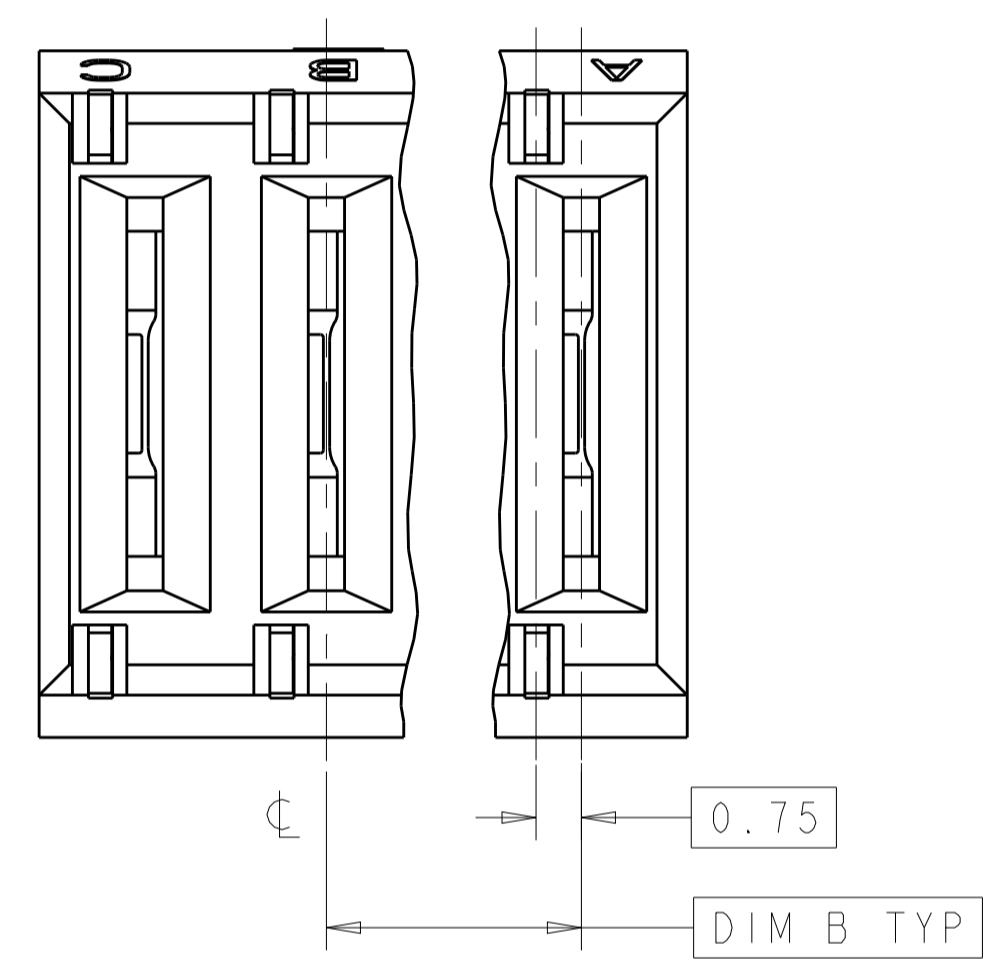


LOC		DIST		REVISIONS			
P	LTN	DESCRIPTION	DATE	DWN	APVD		
A1		REV PER ECO-11-004917	12MAR2011	RK	HMR		
B1		REV PER ECR-20-004668	21APR2020	ML	SZ		



SCALE 6:1



RECOMMENDED PCB HOLE LAYOUT

- △ HOUSING: POLYESTER, GRAY.
CONTACT: HIGH CONDUCTIVITY COPPER ALLOY.
- △ PLATING: IN ACCORDANCE WITH PRODUCT SPECIFICATION 108-1651, GOLD PLATING OR EQUIVALENT PLATING ON PRODUCT CONTACT MATING AREA, AND MATTE TIN PLATING ON COMPLIANT PIN AREA, ALL OVER MATTE NICKEL UNDERPLATED. DETAIL PLEASE REFER TO PRODUCT SPECIFICATION 108-1651.
- △ DATE CODE THIS APPROXIMATE AREA.
- △ REFERENCE APPLICATION SPEC 114-1103 FOR RECOMMENDED PLATED THRU HOLE DIAMETER & PLATING THICKNESSES.

54	8	12.0	27.50	9	120943-7
48	7	10.5	24.50	8	120943-6
42	6	9.0	21.50	7	120943-5
36	5	7.5	18.50	6	120943-4
30	4	6.0	15.50	5	120943-3
24	3	4.5	12.50	4	120943-2
18	2	3.0	9.50	3	120943-1
D	C	B	A	POSN	PART NUMBER

THIS DRAWING IS A CONTROLLED DOCUMENT. DWN: B. CARBO 16JUN2005
 CHK: R. PATTERSON 16JUN2005
 APVD: R. PATTERSON 16JUN2005

TE TE Connectivity

NAME: UPM R/A REC HC POWER CONNECTOR RIGHT ANGLE RECEPTACLE UNIVERSAL POWER MODULE

PRODUCT SPEC: 108-1651
 APPLICATION SPEC: 114-1103

SIZE: A1 00779 C=120943
 CAGE CODE: 120943

MATERIAL: RESTRICTED CUSTOMER
 FINISH: RESTRICTED CUSTOMER

RESTRICTED TO: REV: B1

SCALE: 8:1 SHEET: 1 OF 1