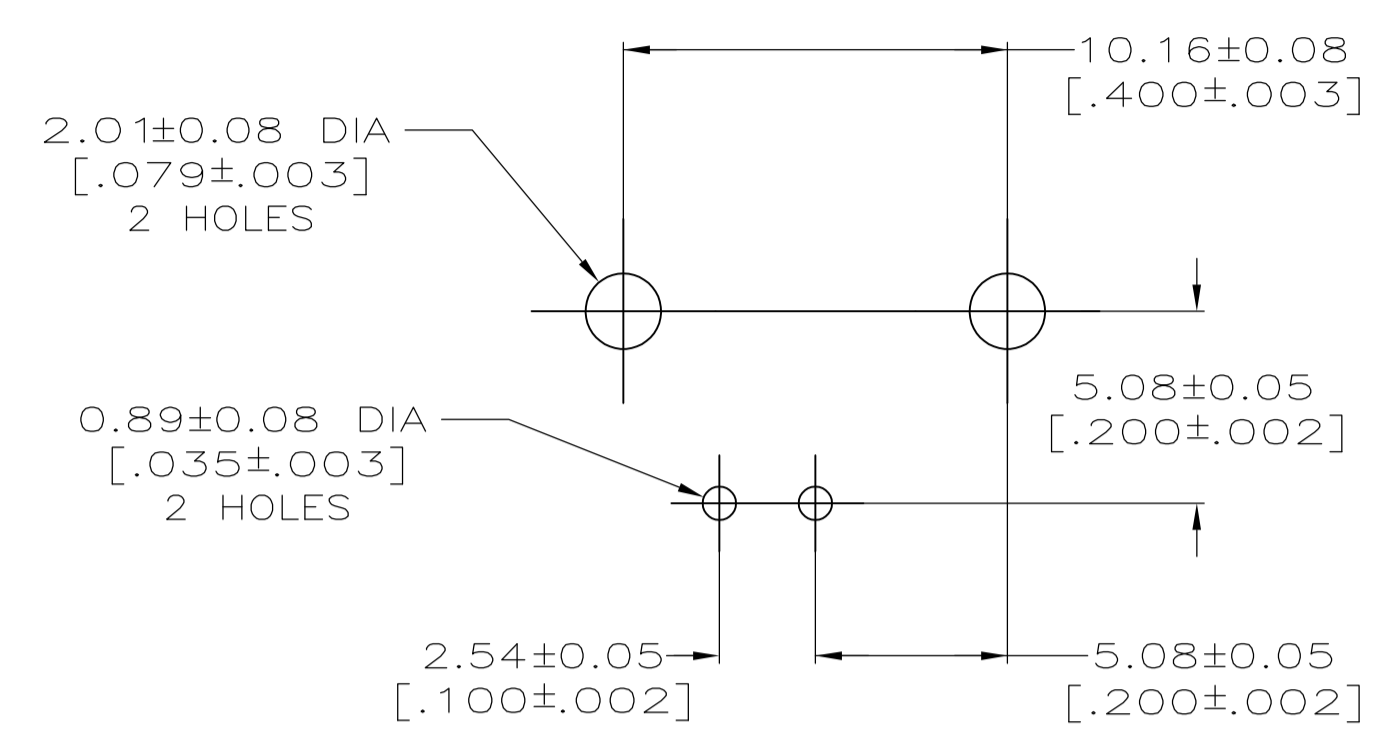
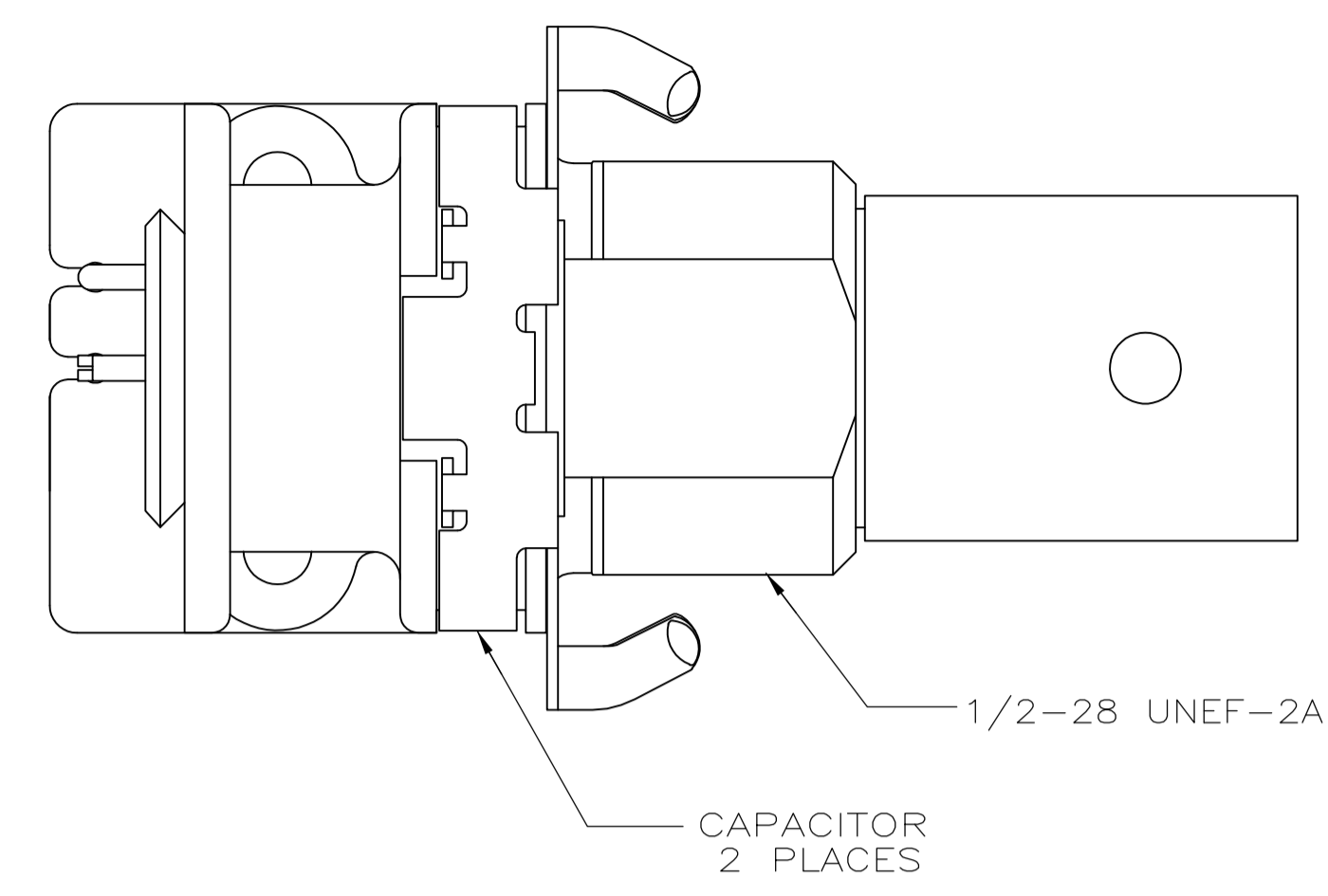


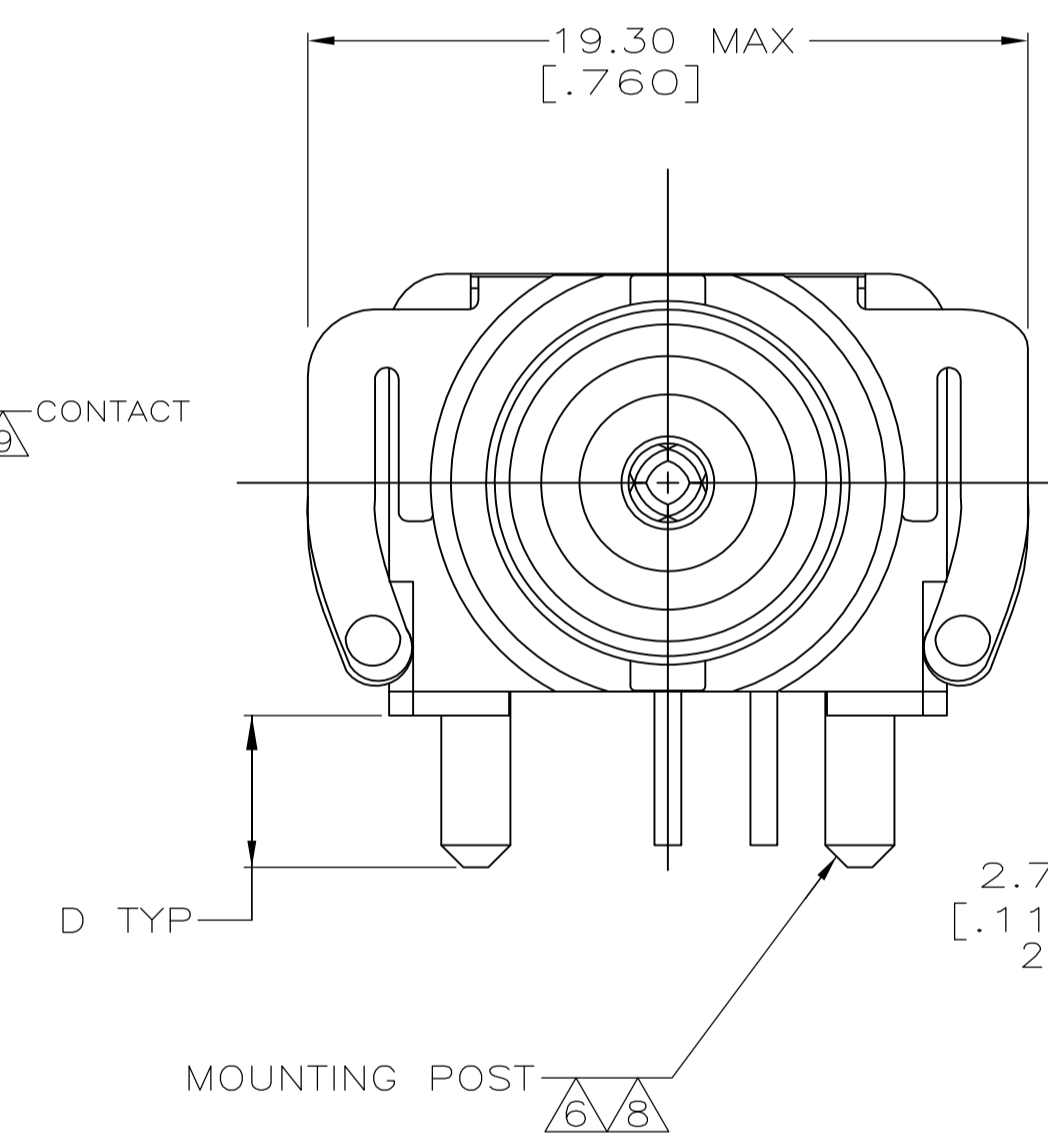
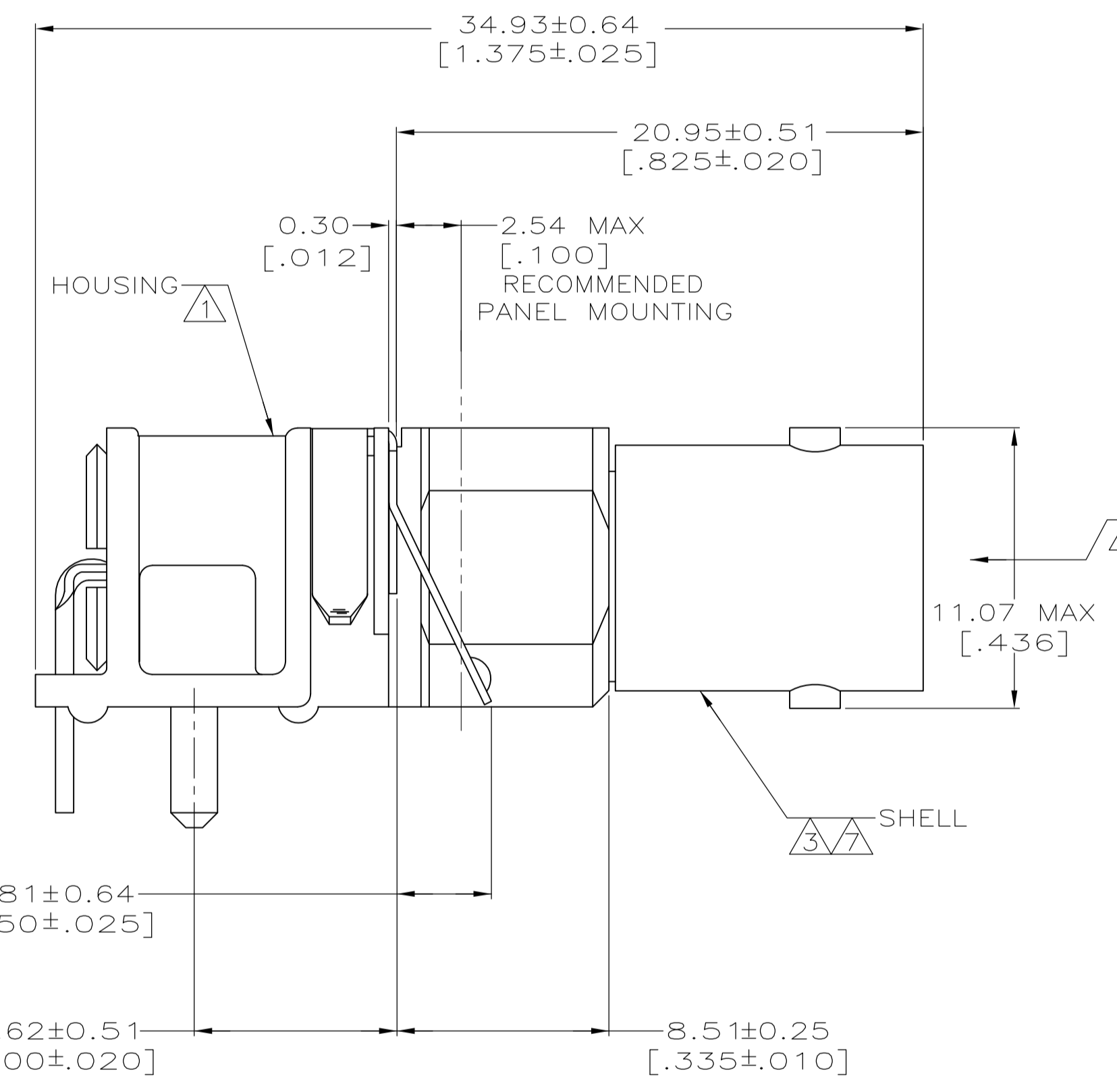
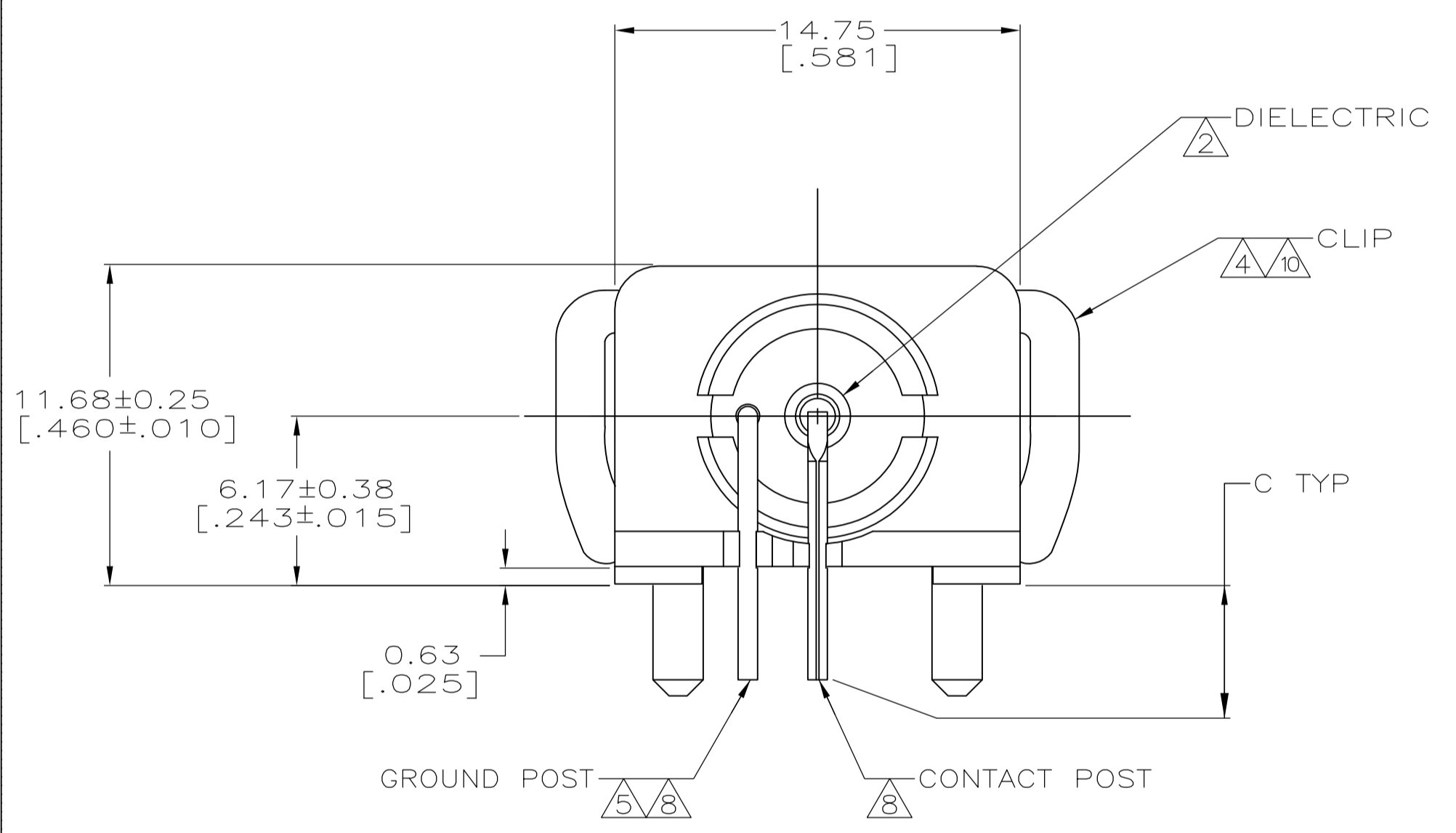
LOC		DIST		REVISIONS			
F	LTR	DESCRIPTION	DATE	DWN	APVD		
F		REV PER ECO 08-009474	7/22/2008	DW	JL		
F1		REVISED PER ECO-09-021826	04SEP09	KK	AEG		



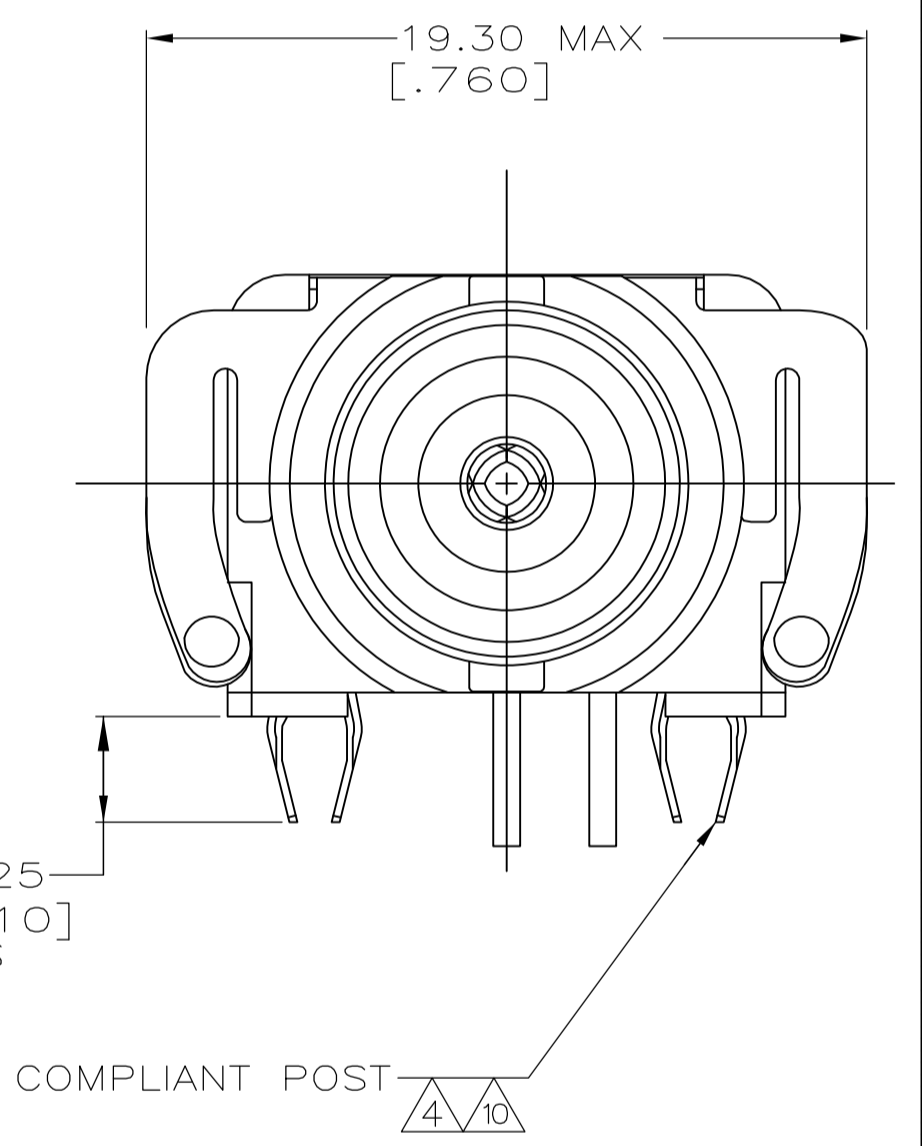
PCB CONFIGURATION



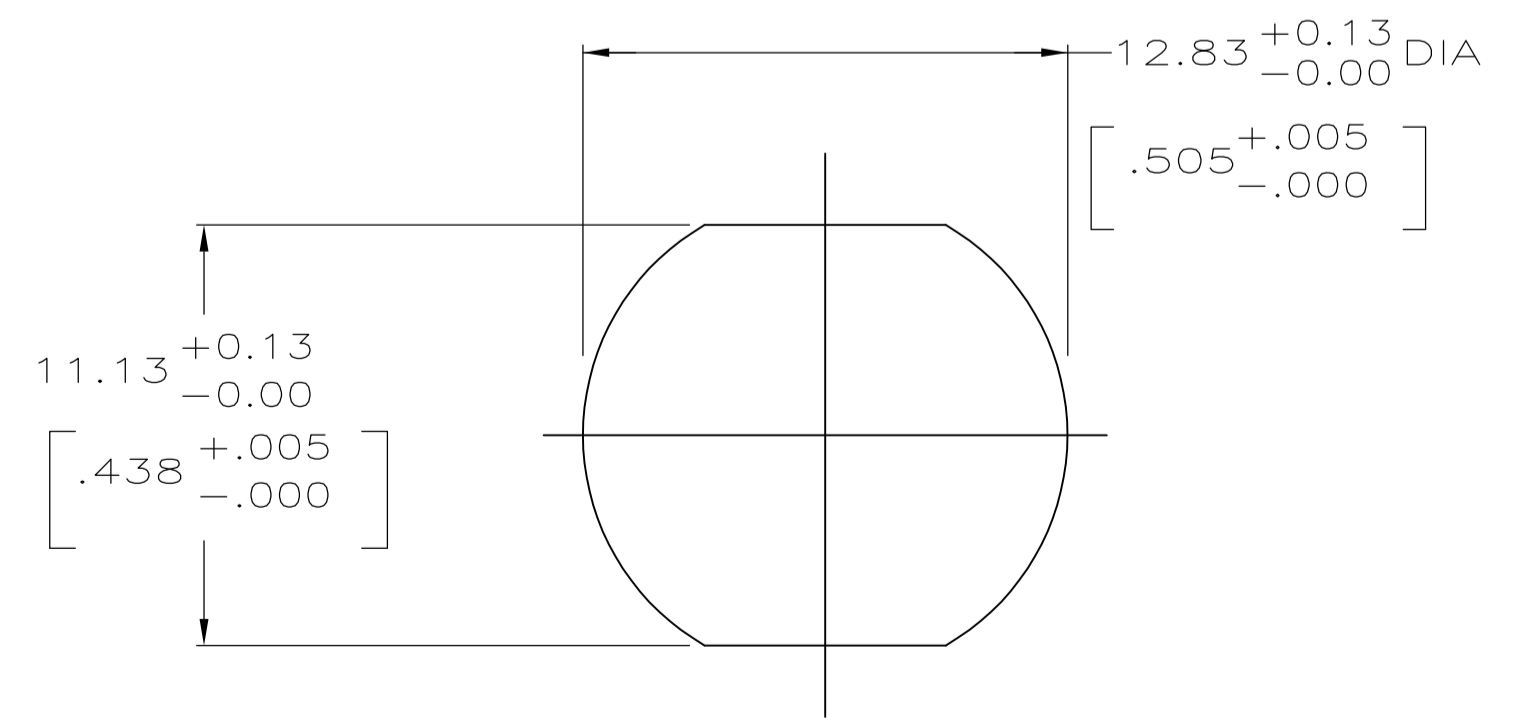
- 1 POLYESTER PBT PER MIL-M-24519, TYPE GPT-15F, UL94V-0 RATED, COLOR:BLACK
- 2 POLYMETHYLPENTENE, GENERAL PURPOSE.
- 3 ZINC PER QQ-Z-363.
- 4 PHOSPHOR BRONZE PER QQ-B-750.
- 5 BRASS PER ASTM-B-453.
- 6 BRASS PER ASTM-B-16.
- 7 NICKEL PLATE PER QQ-N-290, 3.81 μm [.000150] MINIMUM THICK.
- 8 TIN PLATE PER ASTM-B-545, 3.81 μm [.000150] MINIMUM THICK.
- 9 GOLD PLATE PER MIL-G-45204, 0.08 μm [.000003] MINIMUM THICK.
- 10 NICKEL PLATE PER QQ-N-290.
- 11. SEE INSTRUCTION SHEET 2769.
- 12. CAPACITANCE: 9400 pf  
VOLTAGE: 1500 VDC
- 13 OBSOLETE PARTS: OBSOLETE CIS STREAMLINING PER D.RENAUD/D.SINISI



VIEW A



VIEW B



RECOMMENDED PANEL CUTOUT

13 OBSOLETE  
 SUPERSEDED BY 5415103-2

	2.03±0.13 [.080±.005]	2.79±0.25 [.110±.010]	A	415103-3
	-	3.43±0.38 [.135±.015]	B	415103-2
	4.01±0.25 [.158±.010]	3.43±0.38 [.135±.015]	A	415103-1
D		C	VIEW	PART NUMBER

THIS DRAWING IS A CONTROLLED DOCUMENT.		DIN J. LIPPERT 8-7-95	Tyco Electronics Tyco Electronics Corporation Harrisburg, PA 17105-3608	
DIMENSIONS: INCHES		CIK M. TOMCHAK 8-7-95	NAME JACK, DECOUPLER, PCB, 75 OHM, RIGHT ANGLE, BCN	
TOLERANCES UNLESS OTHERWISE SPECIFIED:		APVD M. TOMCHAK 8-7-95	PRODUCT SPEC	
0 PLC ± -		APPLICATION SPEC		
1 PLC ± -		SIZE CAGE CODE DRAWING NO		
2 PLC ± 0.20 [.008]		RESTRICTED TO		
3 PLC ± -		WEIGHT		
4 PLC ± -		A1 00779 C=415103		
ANGLES ± -		CUSTOMER DRAWING SCALE 5:1 SHEET 1 of 1 REV F1		