

RoHS COMPLIANT BY EXEMPTION

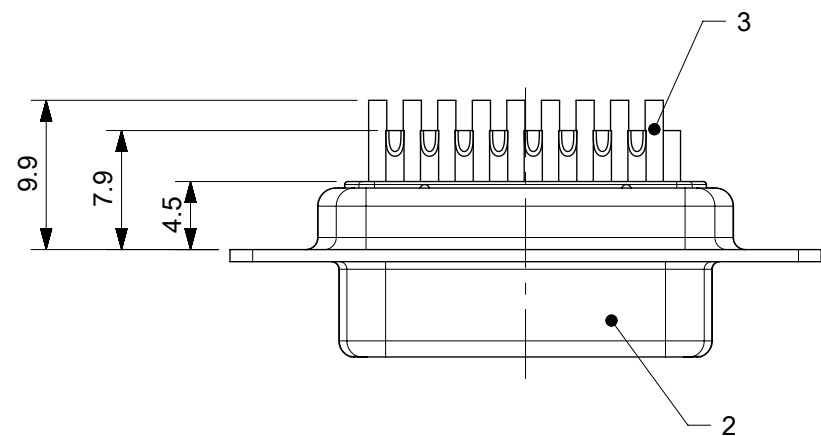


TABLE FOR PART NUMBERS

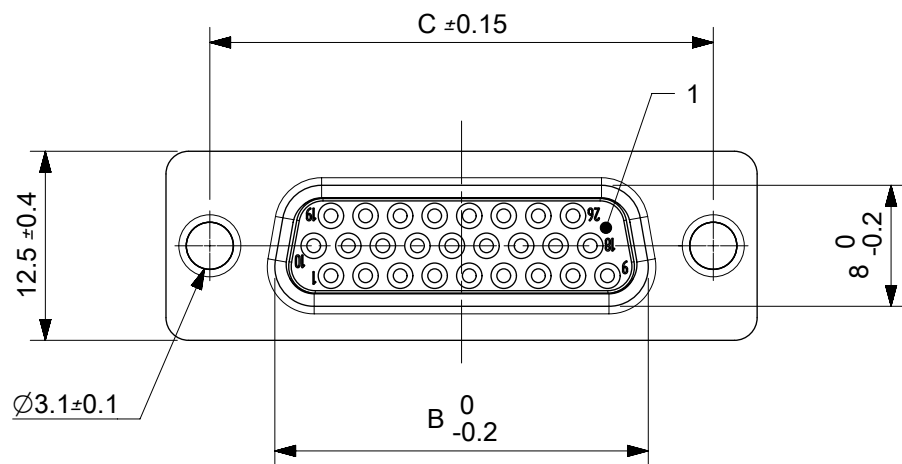
MOLEX PART#	FCT PART#	X-X	A [mm]	B [mm]	C [mm]	NO. OF CONTACTS 1./2./3. ROW	FORMERLY PART NO
1731130150	F09-15S0G0-0008	09-15	30.8	16.4	25	5/5/5	CT09-15S-2045
1731130151	F15-26S0G0-0008	15-26	39.1	24.7	33.3	9/9/8	CT15-26S-2045
1731130152	F25-44S0G0-0008	25-44	53	38.5	47.04	15/15/14	CT25-44S-2045

TABLE FOR GENERAL TOLERANCES

PERMISSIBLE DEVIATIONS FOR BASIC SIZE RANGE				
0.5 UPTO	OVER 3 UPTO	OVER 6 UPTO	OVER 30 UPTO	OVER 120 UPTO
3	6	30	120	400
±0.1	±0.1	±0.2	±0.3	±0.5

X-X NO. OF CONTACTS 09-15, 15-26, 25-44

3	X-X	SIGNAL CONTACT, MACHINED	HS0 / BRASS	AWG 22 / 0.8µm Au
2	1	SHELL	STEEL	TIN PLATED
1	1	INSULATOR	PBT (-55°C - +130°C)	BLACK
NO.	St.	PART	TYPE DESCRIPTION/MATERIAL	SURFACE PLATING/COLOUR/CLASS



THIS DRAWING CONTAINS INFORMATION THAT IS PROPRIETARY TO MOLEX ELECTRONIC TECHNOLOGIES, LLC AND SHOULD NOT BE USED WITHOUT WRITTEN PERMISSION

EC NO: 117803 DRWN: RLALSANGI CHK'D: ISHWARG APPR: ISHWARG	2017/04/13	GENERAL TOLERANCES (UNLESS SPECIFIED) ANGULAR TOL ± ° 4 PLACES ± 3 PLACES ± 2 PLACES ± 1 PLACE ± 0 PLACES ± DRAFT WHERE APPLICABLE MUST REMAIN WITHIN DIMENSIONS	DIMENSION UNITS	SCALE		
	2017/06/07		MM	2:1		
	2017/06/07		DRWN BY	DATE		RLALSANGI 2017/04/13
			CHK'D BY	DATE		ISHWARG 2017/06/07
			APPR BY	DATE	ISHWARG 2017/06/07	
			DRAWING SIZE	THIRD ANGLE PROJECTION	PRODUCT CUSTOMER DRAWING	
			A3		SERIES: 173113 MATERIAL NUMBER: SEE TABLE CUSTOMER: GENERAL MARKET	
					DOCUMENT NUMBER: 1731130150 DOC TYPE: PSD DOC PART: 000 SHEET NUMBER: 1 OF 1	