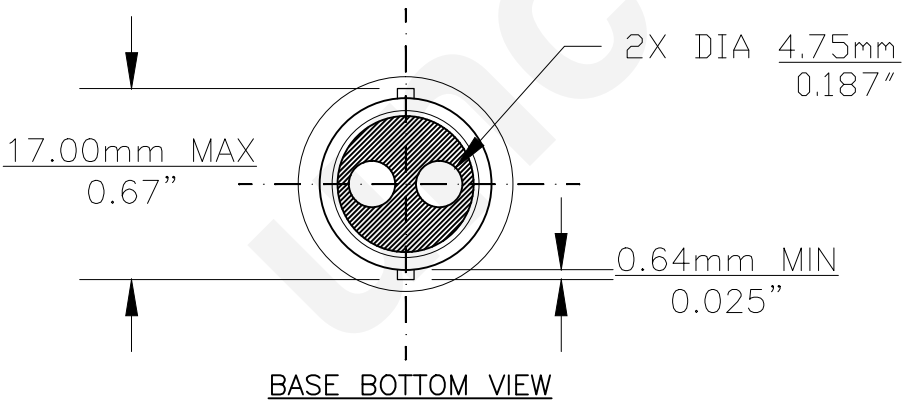
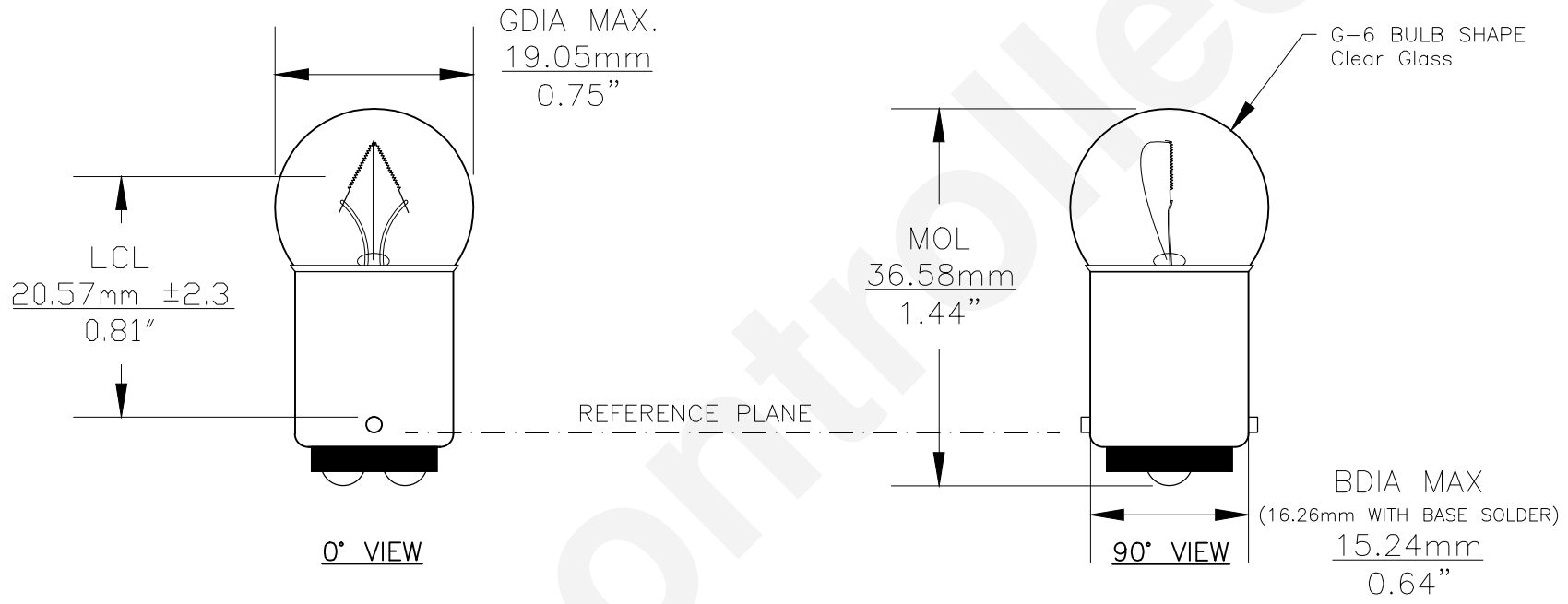




PART NO.	BASE TYPE	DESIGN VOLTS	DESIGN AMPS	MSCD	FILAMENT TYPE	AVERAGE LIFE HOURS	REVISIONS			
							REV #	DESCRIPTION	DATE	APPROVED
1178	D.C. BAYONET (BA15d)	13.5V	0.69±8%	4 ±15%	C-2V	5,000	1	ISSUED	11/13/2014	R.M.



Note: Made according to SAE specifications

UNLESS OTHERWISE SPECIFIED: DIMENSIONS ARE IN INCHES TOLERANCES		CEC INDUSTRIES LTD			
DECIMALS .XX ± .05		599 BOND STREET		LINCOLNSHIRE, IL 60069	
ANGULAR .XXX ± .010		TITLE LIGHT BULB NO. 1178			
FRACTIONAL ±1/64		SIZE A	FSCM NO.	DWG NO. 1178	REV 1
DRAWN ROSE MEDINA	DATE 11/13/2014	SCALE	PLOT SCALE	SHEET 1 OF 1	
MATERIAL		FILE 1178.pdf	DRAWING NOT TO SCALE		