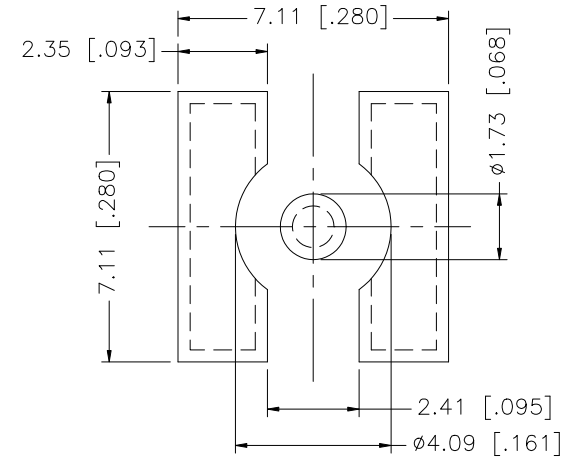
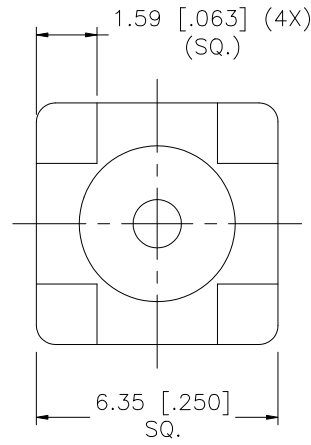
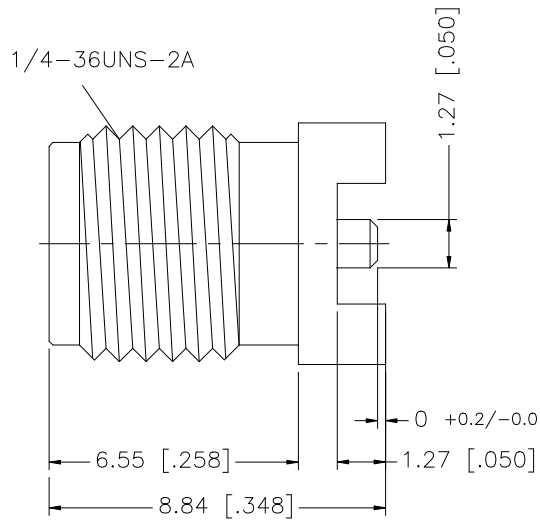


REV.	DATE	DESCRIPTION
NC	11/25/02	INITIAL RELEASE



P.C.B. LAYOUT

8					<small>UNLESS OTHERWISE SPECIFIED DIMENSIONS ARE IN MILLIMETERS. DIMENSIONS IN [] ARE IN INCHES AND FOR CUSTOMER REFERENCE ONLY.</small> <small>UNLESS OTHERWISE SPECIFIED TOLERANCES FOR MILLIMETERS ARE:</small> 0.5 - 8mm ± 0.20mm 8 - 30mm ± 0.40mm 30 - 120mm ± 0.50mm <small>UNLESS OTHERWISE SPECIFIED TOLERANCES FOR INCHES ARE:</small> .020 - .315 = ± 0.007" .315 - 1.180 = ± 0.015" 1.180 - 4.724 = ± 0.020"	APPROVALS	DATE	<h1 style="color: blue;">Amphenol Connex</h1>							
7						DRAWN	G.R.S.					11/25/02			
6						CHECKED			PART DESCRIPTION SMA SURFACE MOUNT JACK - PART NO. 132134-10						
5						ISSUED									
4						SHEET	1 OF 1								
3	CONTACT PIN	BER. COPPER	GOLD	1	CAD FILE			DWG. NO.	132134-10.DWG	REV.	NC	SIZE	A	SCALE	NA
2	INSULATOR	TEFLON	NATURAL	1	DO NOT SCALE DRAWING										
1	BODY	BRASS	GOLD	1	C:/132/132134-10.DWG										