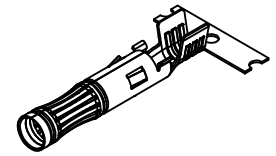
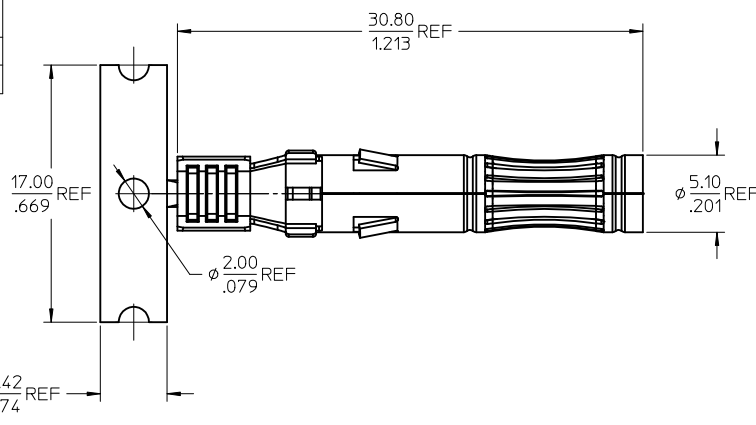
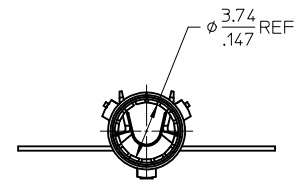
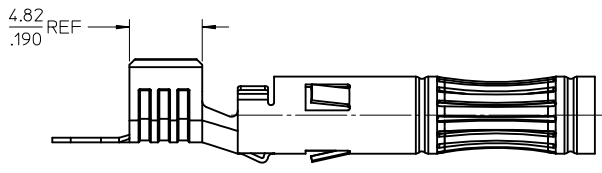
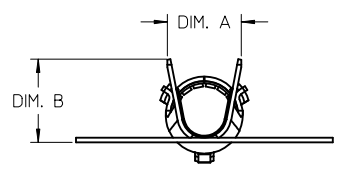


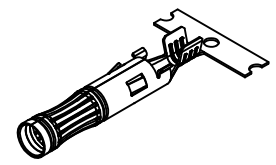
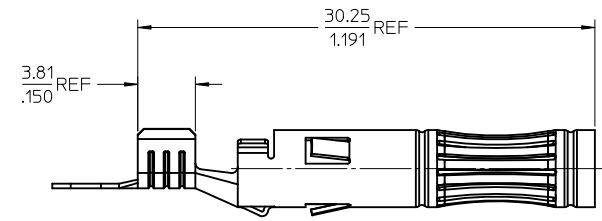
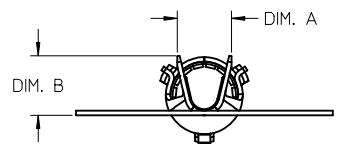
13	12	11	10	9	8
MATERIAL NO. ON STRIP	MATERIAL NO. LOOSE PIECE	CABLE SIZE	DIM. "A" REF	DIM. "B" REF	USE WITH HOUSING ASSY
1301970347	1301970336	2.5mm <sup>2</sup> / 14AWG	3.58/.141	3.94/.155	1302440203
1301970346	1301970325	4.0-6.0mm <sup>2</sup> / 12-10AWG	4.90/.193	5.51/.217	1302440201



12-10 AWG (4.0-6.0mm<sup>2</sup>)  
SCALE 2:1

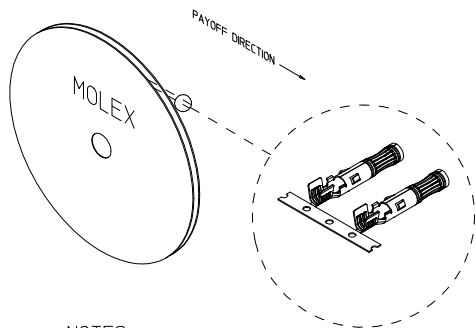


12-10 AWG (4.0-6.0mm<sup>2</sup>)



14 AWG (2.5mm<sup>2</sup>)  
SCALE 2:1

14 AWG (2.5mm<sup>2</sup>)  
SAME AS 12-10 AWG  
EXCEPT AS NOTED



NOTES:

1. MATERIAL: COPPER ALLOY 0.30/.012 THK.
2. FINISH: 2.0μMETER/80μINCH MIN. SELECTIVE SILVER OVER 1.27μMETER/50μINCH MIN. NICKEL OVERALL
3. TERMINAL FOR USE WITH 130244 SERIES SOCKET HOUSING ASSEMBLY. SEE CHART FOR APPLICABLE PART NUMBERS.
4. STRIP TERMINALS ARE REELED AS SHOWN ABOVE ON ø580 (22.840 REELS 2,000/REEL WITH 3 REELS PER CARTON.
5. PRODUCT SPECIFICATION: PS-130244-001
6. SEE PK-130197-001 FOR LOOSE PIECE PACKAGING INFO.
7. SEE PK-130196-002 FOR STRIP PACKAGING INFO.
8. APPLICATION TOOLING AND CRIMP SPECIFICATIONS: CONSULT FACTORY.
9. PARTS ARE ROHS COMPLIANT.

<b>DOC RELEASE</b> EC NO: WNAZ011-04/15 DRW: RWB/RUPERT 2011/02/11 CHKD: DTITUS APPR: DTITUS 2012/04/18 REV: A	<b>QUALITY SYMBOLS</b> ▽=0 ▽=0	<b>GENERAL TOLERANCES (UNLESS SPECIFIED)</b>		<b>DIMENSION STYLE</b> MM/IN	<b>SCALE</b> 4:1	<b>DESIGN UNITS</b> METRIC	THIRD ANGLE PROJECTION		
		4 PLACES ± --- ± --- 3 PLACES ± --- ± --- 2 PLACES ± --- ± --- 1 PLACE ± --- ± ---	mm INCH	DRAWN BY DATE CLYORK 2010/04/15	CHECKED BY DATE DTITUS 2010/04/15	<b>TITLE</b> SOCKET CONTACT, PV SOLAR 14 & 12-10 AWG			
		ANGULAR ± 3 °	DRAFT WHERE APPLICABLE MUST REMAIN WITHIN DIMENSIONS	APPROVED BY DATE DTITUS 2010/05/07	<b>MOLEX INCORPORATED</b>				
		SEE CHART	MATERIAL NO. SD-130197-001	DOCUMENT NO.	SHEET NO. 1 OF 1	THIS DRAWING CONTAINS INFORMATION THAT IS PROPRIETARY TO MOLEX INCORPORATED AND SHOULD NOT BE USED WITHOUT WRITTEN PERMISSION			