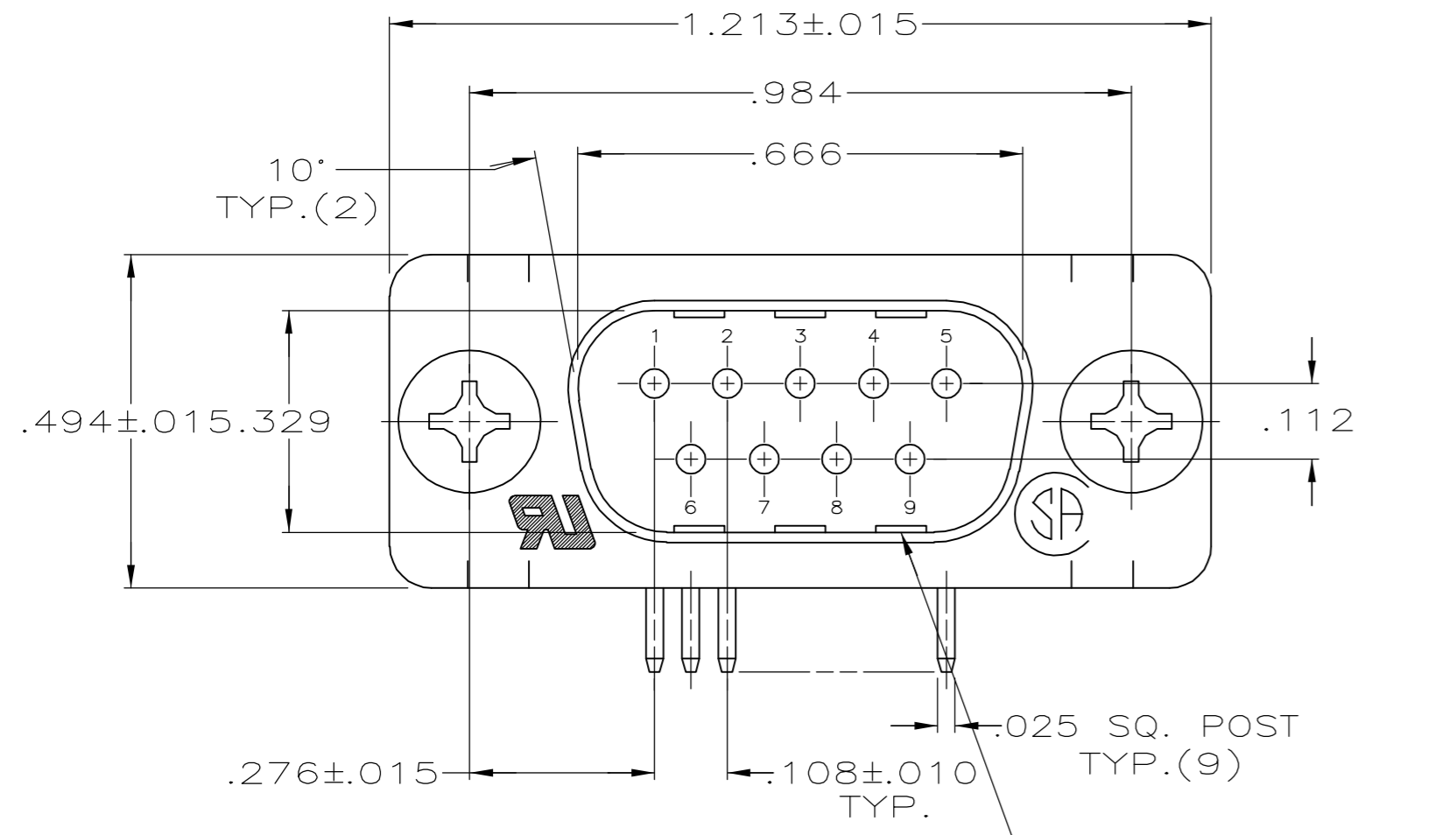
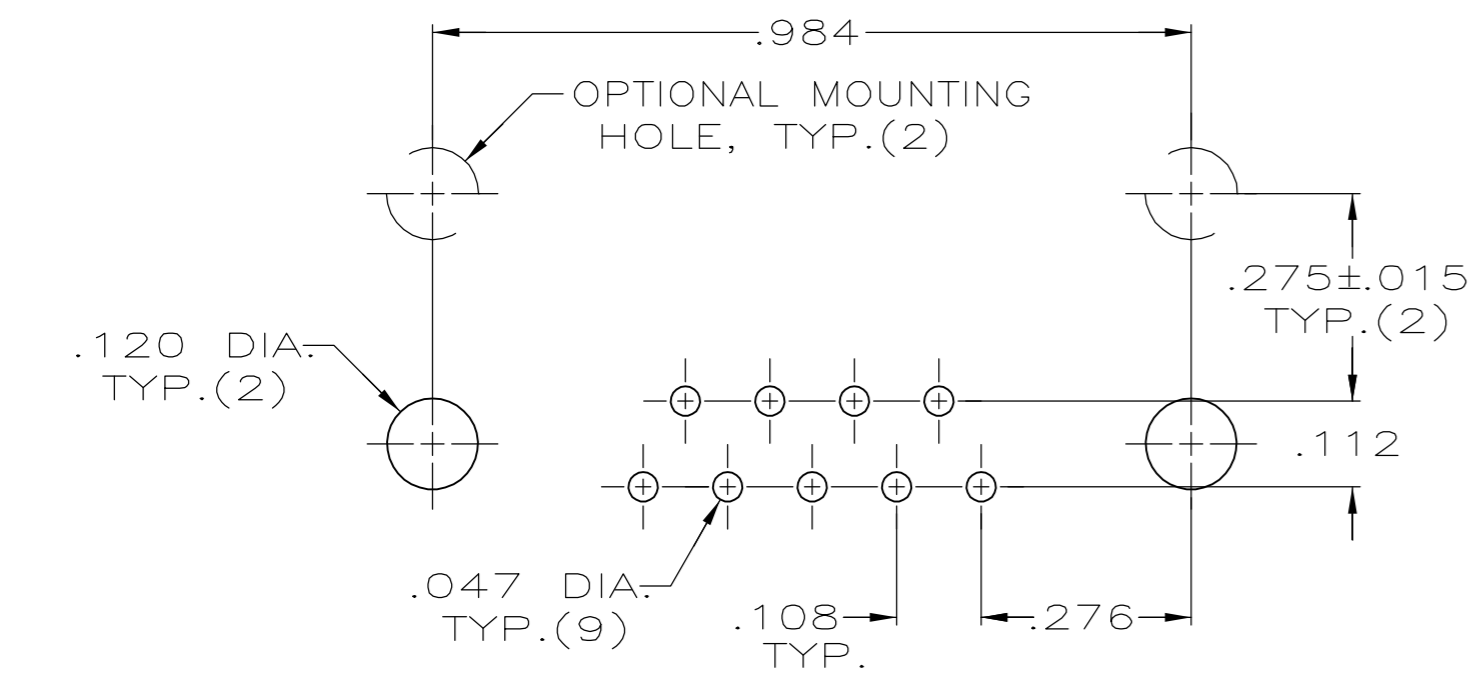
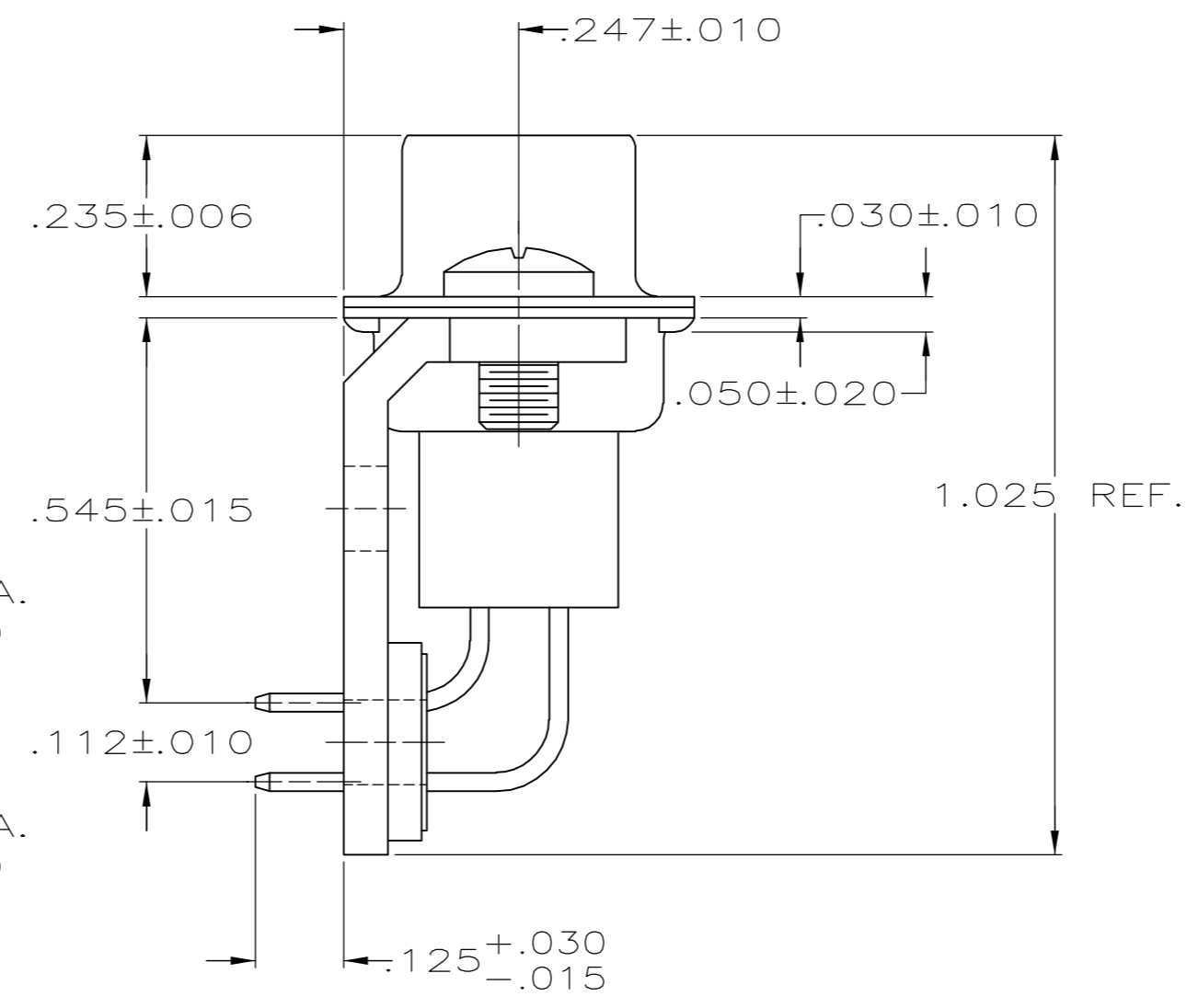
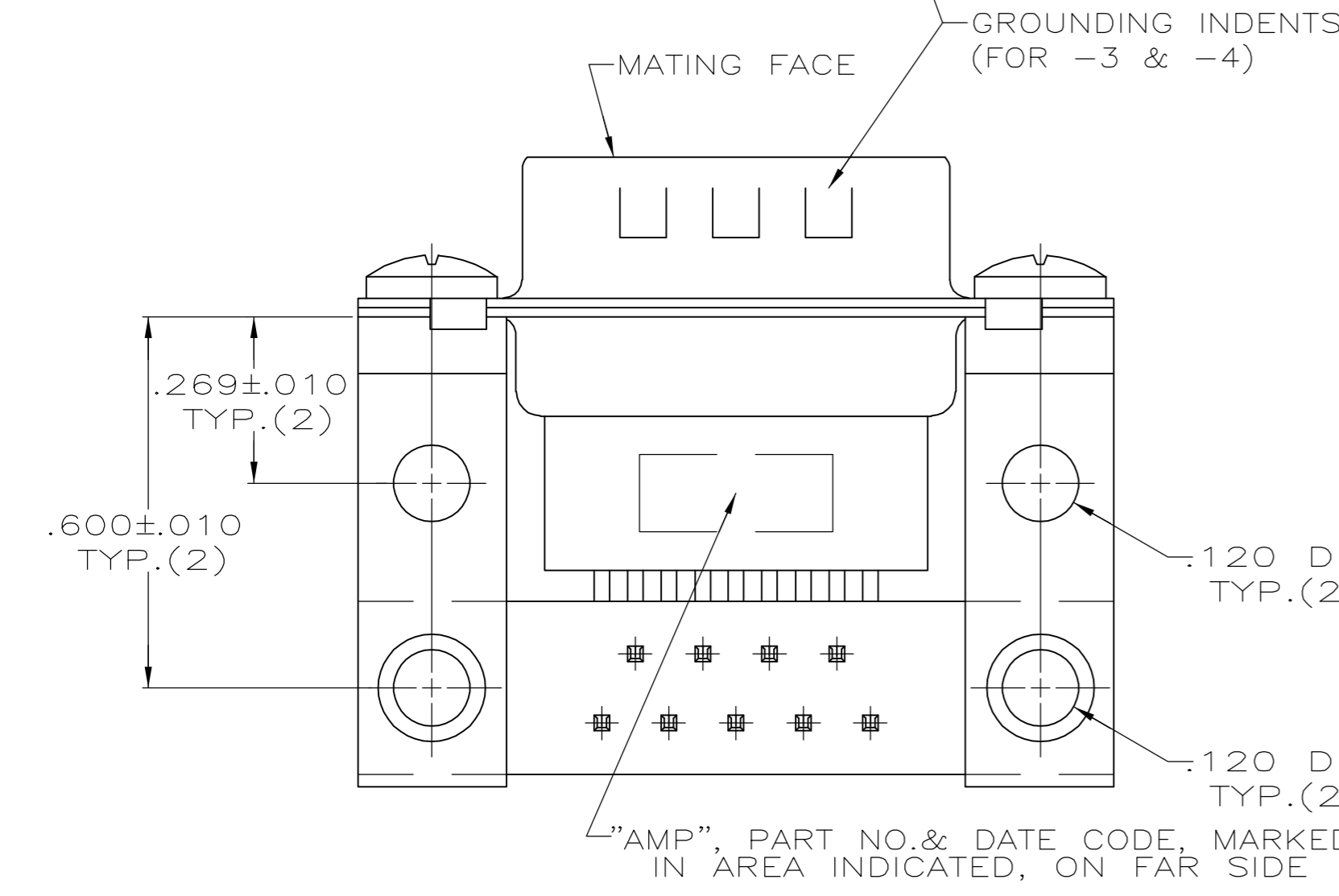


THIS DRAWING IS UNPUBLISHED. RELEASED FOR PUBLICATION  
 © COPYRIGHT BY TYCO ELECTRONICS CORPORATION. ALL RIGHTS RESERVED.

LOC		DIST		REVISIONS			
P	LTR	DESCRIPTION	DATE	DWN	APVD		
GP	00	J	REVISED PER ECO-06-010458	07SEPT06	JP	SB	



- CONNECTOR MATES WITH ANY 9 POS. RECEPTACLE IN AMPLIMITE SERIES & COMPLIES WITH AMP SPEC. 108-40,005 WHERE APPLICABLE.
- FLAME RETARDANT 94V-0 RATED THERMOPLASTIC; COLOR: BLACK.
- STEEL PER ASTM A109.
- BRASS PER MIL-C-50.
- TIN PLATING PER MIL-T-10727, GOLD PLATING PER MIL-G-45204, NICKEL PLATING PER QQ-N-290.
- TIN PLATED.
- GOLD PLATED FOR LENGTH OF .150 MIN FROM MATING END, GOLD FLASH IN MATED AREA, .000100 MIN TIN-LEAD ON OPPOSITE END, BOTH OVER .000050 MIN NICKEL.
- GOLD PLATED FOR LENGTH OF .150 MIN FROM MATING END, .000030 MIN GOLD IN MATED AREA, .000100 MIN TIN-LEAD ON OPPOSITE END, BOTH OVER .000050 MIN NICKEL.



P.C. BOARD MOUNTING DIMENSIONS

CONTACT FINISH	PART NUMBER
△8	745351-4
△7	745351-3
△8	745351-2
△7	745351-1

SUPSD BY 745351-2

THIS DRAWING IS A CONTROLLED DOCUMENT.

DWN	J. GERACE	29 DEC 83
CHK	J. GERACE	29 DEC 83
APVD	P. SWEIGARD	15 MAR 84

NAME: P. SWEIGARD

PRODUCT SPEC: PLUG ASSY, SIZE 1, 9 POS, RIGHT ANGLE, .545 SERIES, .025 SQ POSTS, AMPLIMITE HDP

APPLICATION SPEC: -

WEIGHT: -

CUSTOMER DRAWING

SCALE: 4:1

SHEET: 1 OF 1

REV: J

MATERIAL: MOLDED PARTS: △ SHELLS & BRACKETS: △ CONTACTS: △

FINISH: △ SHELLS & BRACKETS: △ CONTACTS: SEE TABLE

TOLERANCES UNLESS OTHERWISE SPECIFIED:  
 0 PLC ± -  
 1 PLC ± -  
 2 PLC ± -  
 3 PLC ± .005  
 4 PLC ± -  
 ANGLES ± 2°

SIZE: A2 CAGE CODE: 00779 DRAWING NO: C=745351

RESTRICTED TO: -