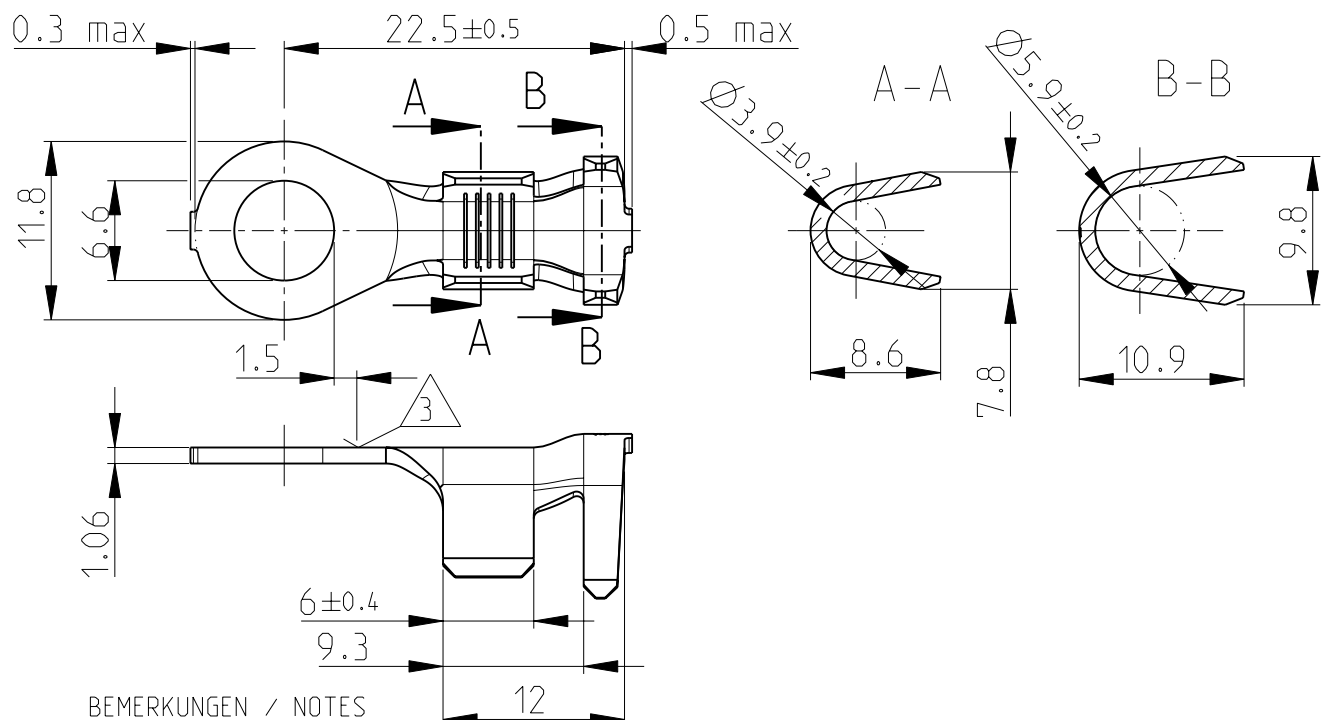


| | | | | | | | | |
|----------------------------|-----------|-----------|-----------|-----|---|-----------|--------|-------|
| MATED WITH: PASSEND ZU: | LOC A1 | DIST - | REVISIONS | | | | | |
| | | | P | LTR | DESCRIPTION | DATE | DWN | APVD |
| PROJEKT NR. : A92-52098 | | | | A1 | PRODUCTSPEC NEW / PRODUKTSPEZ. HINZU | 01-OCT-03 | M.Zayc | Thiel |
| | | | | B | 0.3/0.5max WAS 1.0max / 0.3/0.5max was 1.0max | 05-AUG-04 | Ueck | Thiel |
| | | | | B1 | PRO/E-DATA | 22-JAN-09 | K.G. | Thiel |



BEMERKUNGEN / NOTES

1 DRAHTGROESSENBEREICH: 6-10mm²; ISOLATIONSØ: 4.6-7.7
LEITER: F-Crimp
ISOLATION: F-Crimp
WIRE RANGE: 6-10mm²; INSULATION RANGE: 4.6-7.7
WIRE: F-crimp
INSULATION: F-Crimp

2 20⁺⁷₋₂µm GALVANISCH VERZINNT
20⁺⁷₋₂µm ELECTRODEPOSITED TIN

3 MESSPUNKT FÜR SCHICHTDICKE
MEASURING POINT FOR PLATING THICKNESS

4 SCHUETTIGUT, AUS BANDWARE 444305-1
BULK PACKAGED, MADE FROM STRIP VERSION 444305-1

| | | | | | | |
|------------|-----|-----|----------|---------------|---------------|---------|
| 969209-1 | B | 1 | CuSn4 | VERZINNT | RINGZUNGE,... | 1 |
| TE PART NO | REV | PCS | MATERIAL | SURFACE COLOR | DESCRIPTION | ITEM NO |

| | | | |
|--|----------------------------------|--|------------------------|
| DIMENSIONS: mm | DWN M.Ueckermann 11-MAR-99 | MATERIAL S.TAB | FINISH - |
| TOLERANCES UNLESS OTHERWISE SPECIFIED: n. ISO 8015 n. ISO 286-mH-E n. DIN 16901-140 | CHK F.Thiel 11-MAR-99 | Tyco Electronics AMP Deutschland GmbH D-63225 Langen | |
| 0 PLC ±0.3 1 PLC ±0.3 2 PLC ±0.1 3 PLC ± 4 PLC ± ANGLES ±° | APVD S.Glaser 11-MAR-99 | NAME RING TONGUE, A6-10 DIN46225 RINGZUNGE, A6-10 DIN46225 | |
| | PRODUCT SPEC 108-18911 | SIZE A 4 | CAGE CODE 00779 |
| | APPLICATION SPEC - | DRAWING NO C-969209 | RESTRICTED TO - |
| | WEIGHT 3.25g | | |
| CUSTOMER DRAWING / KUNDENZEICHNUNG | | SCALE 2:1 | SHEET 1 OF 1 REV B1 |

20

RELEASED FOR PUBLICATION

THIS DRAWING IS UNPUBLISHED.

BY TYCO ELECTRONICS CORPORATION. ALL RIGHTS RESERVED.

© COPYRIGHT 20