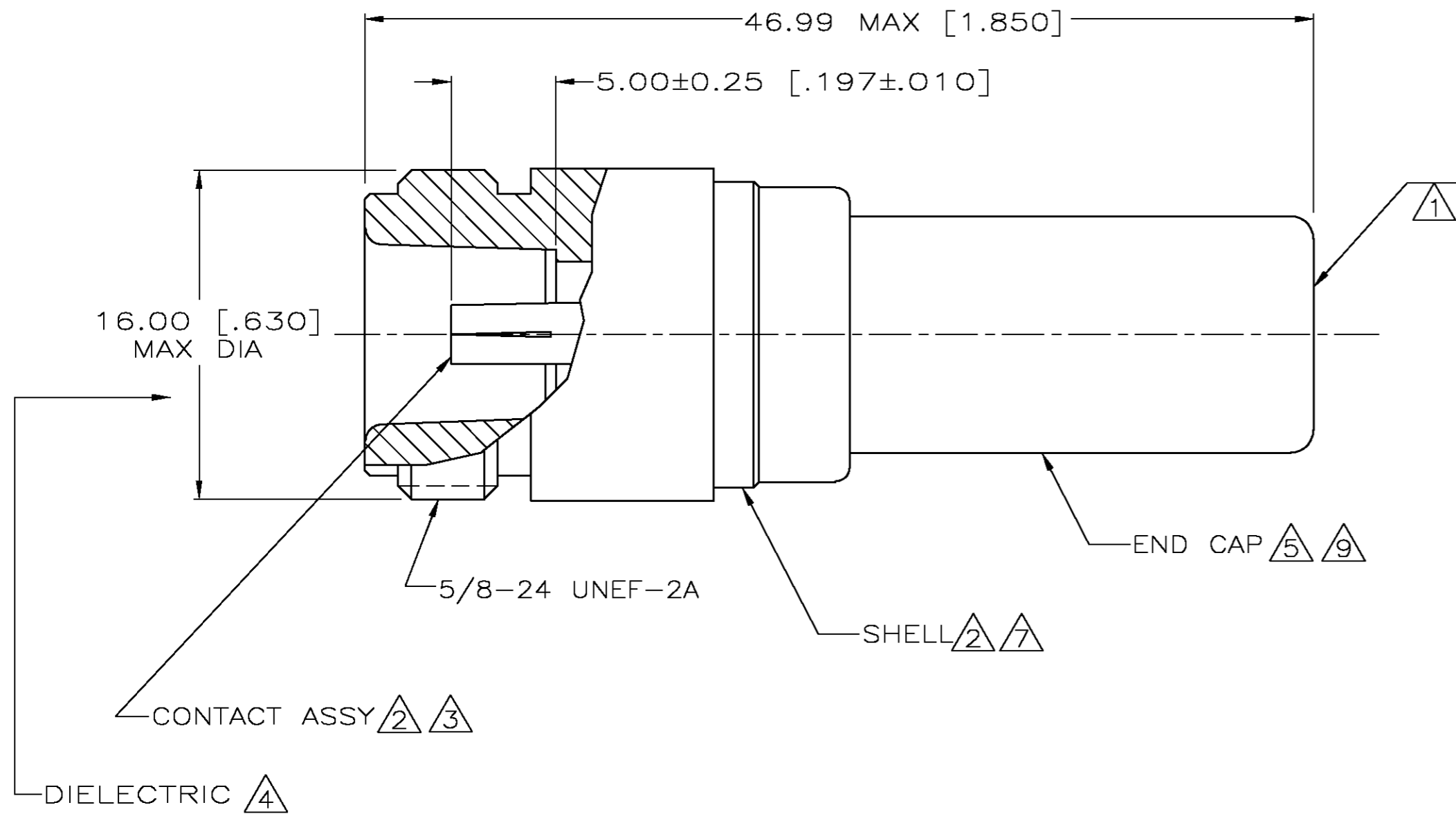


THIS DRAWING IS UNPUBLISHED. RELEASED FOR PUBLICATION
 © COPYRIGHT BY TYCO ELECTRONICS CORPORATION. ALL RIGHTS RESERVED.

LOC	DIST	REVISIONS			
P	LTR	DESCRIPTION	DATE	DWN	APVD
AJ	16	J	PER EC OS14-0181-04	16DEC04	GM GM



- 1 STEEL STAMP 500, 1W, CHARACTERS, THIS SURFACE
- 2 BRASS PER QQ-B-626
- 3 BERYLLIUM COPPER PER QQ-C-530
- 4 PTFE PER MIL-P-19468
- 5 COPPER PER QQ-C-576
- 6 SILVER PL PER QQ-S-365, 2.54µm [.000100] MIN THK
- 7 NICKEL PL PER QQ-N-290, 2.54µm [.000100] MIN THK
- 8 GOLD PL PER MIL-G-45204, 2.54µm [.000100] MIN THK
- 9 TIN PLATE PER ASTM-B-545, 2.54µm [.000100] MIN THK
- 10 SEE SEPERATE RESTRICTED CUSTOMER DRAWING WITH THIS PART NUMBER
- 11 SAME AS 227997-3 EXCEPT PACKAGED 10 PER BOX

SUPSD BY 227997-2	11	-	227997-5
SUPSD BY 227997-1	10	-	227997-4
SUPSD BY 227997-1	10	-	227997-3
OBSOLETE	6		227997-2
	8		227997-1
CONTACT FINISH		PART NUMBER	

THIS DRAWING IS A CONTROLLED DOCUMENT.		DWN	M. SNEED	4-24-91	 Tyco Electronics Corporation Harrisburg, PA 17105-3608
DIMENSIONS: INCHES		CHK	R. HENRY	4-24-91	
TOLERANCES UNLESS OTHERWISE SPECIFIED:		APVD	R. HENRY	4-24-91	
0 PLC ± - 1 PLC ± - 2 PLC ± - 3 PLC ± - 4 PLC ± - ANGLES ± -		PRODUCT SPEC	-		
MATERIAL	NOTES 2 THRU 5	FINISH	NOTES 6 THRU 9	WEIGHT	-
-		-		SCALE	4:1
-		-		SHEET	1 OF 1
-		-		REV	J