



Part Number: D3C0710N

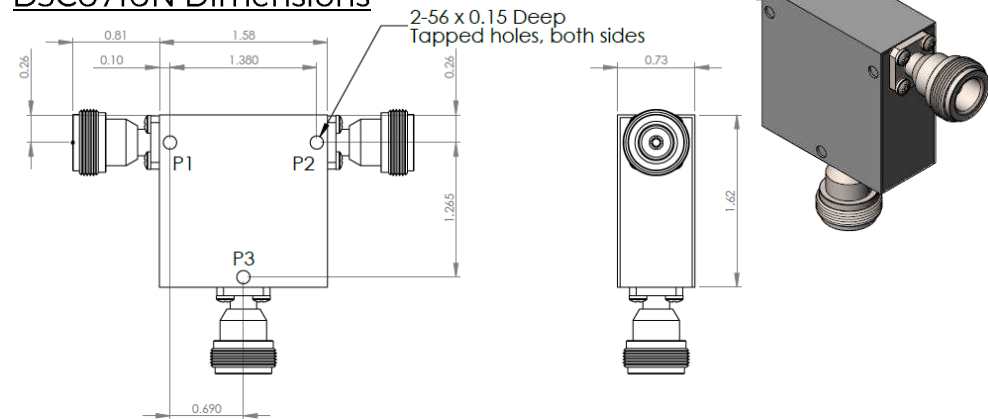
Electrical Specifications

| | |
|------------------------|-------------------|
| Frequency Range (GHz): | 0.7 – 1.0 |
| Isolation (dB): | 16 MIN |
| Insertion Loss (dB): | 0.6 MAX |
| VSWR: | 1.4:1 MIN |
| Forward Power (W): | 300 AVG 750 PK |

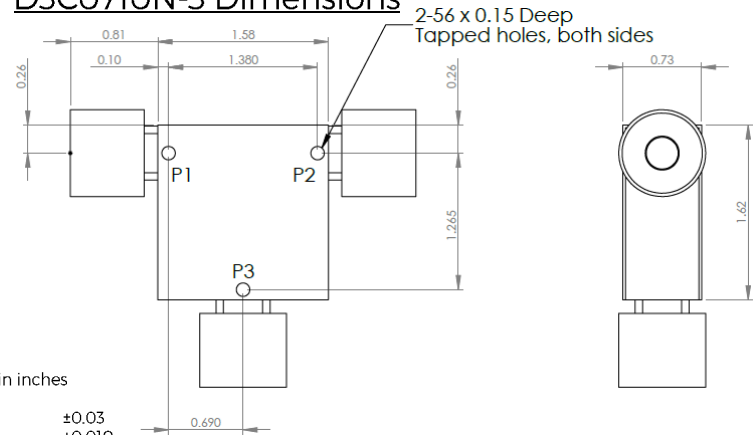
Mechanical/Environmental Specifications

| | |
|-------------------|---------------------|
| Connector Type: | Type-N |
| Connector Body: | Nickel plated brass |
| Connector Pin: | Gold plated copper |
| Load Body: | Brass |
| Magnetic Shunt: | Nickel plated CRS |
| Operational Temp: | -20°C to +65°C |
| Weight (oz) | 5.5 MAX |

D3C0710N Dimensions



D3C0710N-3 Dimensions



| Type of Device | PN Suffix | Connector Configuration Input / Output | PN Example |
|---|----------------------|---|------------|
| Single Junction Circulator 3-Port Device Port 1 / Port 2 / Port 3 | No Dash | Female / Female / Female | D3C0710N |
| | -1 | Male / Female / Female | D3C0710N-1 |
| | -2 | Female / Male / Female | D3C0710N-2 |
| | -3 | Male / Male / Male | D3C0710N-3 |
| | -4 | Female / Female / Male | D3C0710N-4 |
| | -5 | Male / Female / Male | D3C0710N-5 |
| | -6 | Male / Male / Female | D3C0710N-6 |
| -7 | Female / Male / Male | D3C0710N-7 | |



MEASURED DATA

Part Number: D3C0710N, P1→P2, P3 Terminated with 50Ω, +25°C

