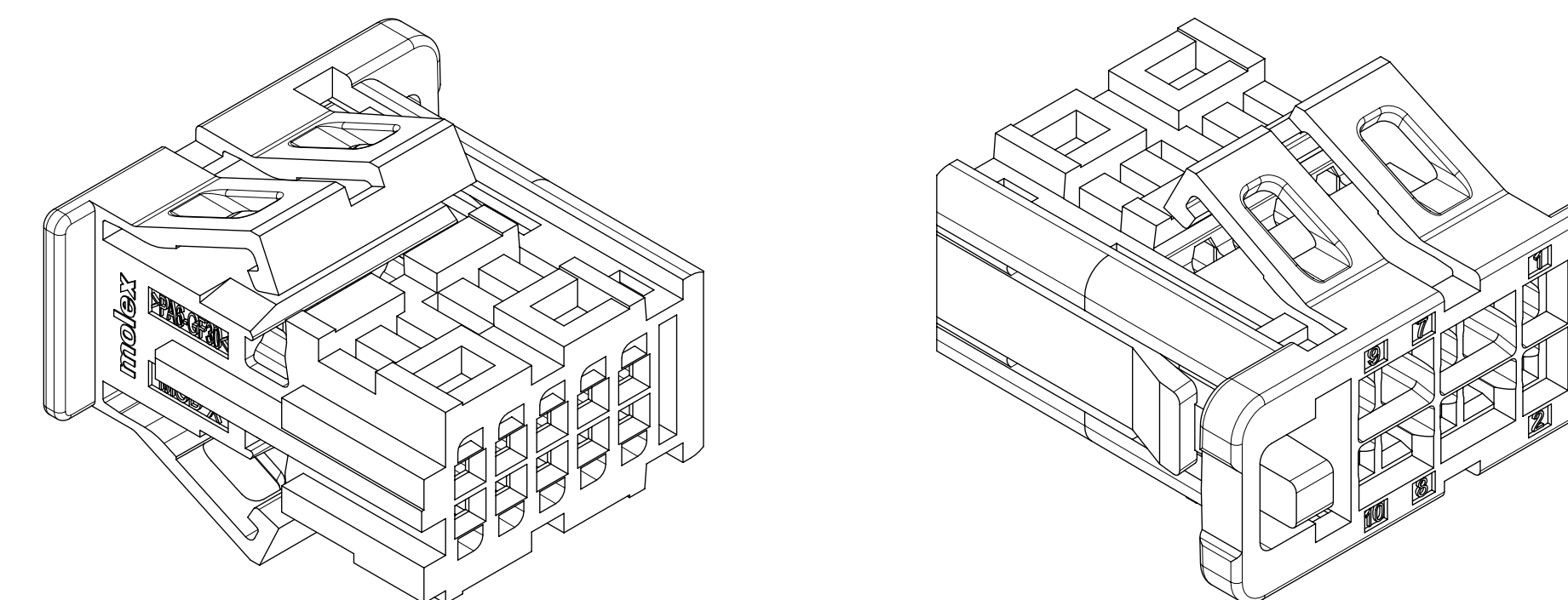


EXAMPLE:

PN 2058264081
 205826 - SERIES NUMBER: RECEPTACLE / CPA ASSEMBLY
 4 - TYPE OF COMPONENT: 2CKT DEPOPULATED (CPA)
 08 - 08 USABLE CIRCUITS
 1 - KEY A

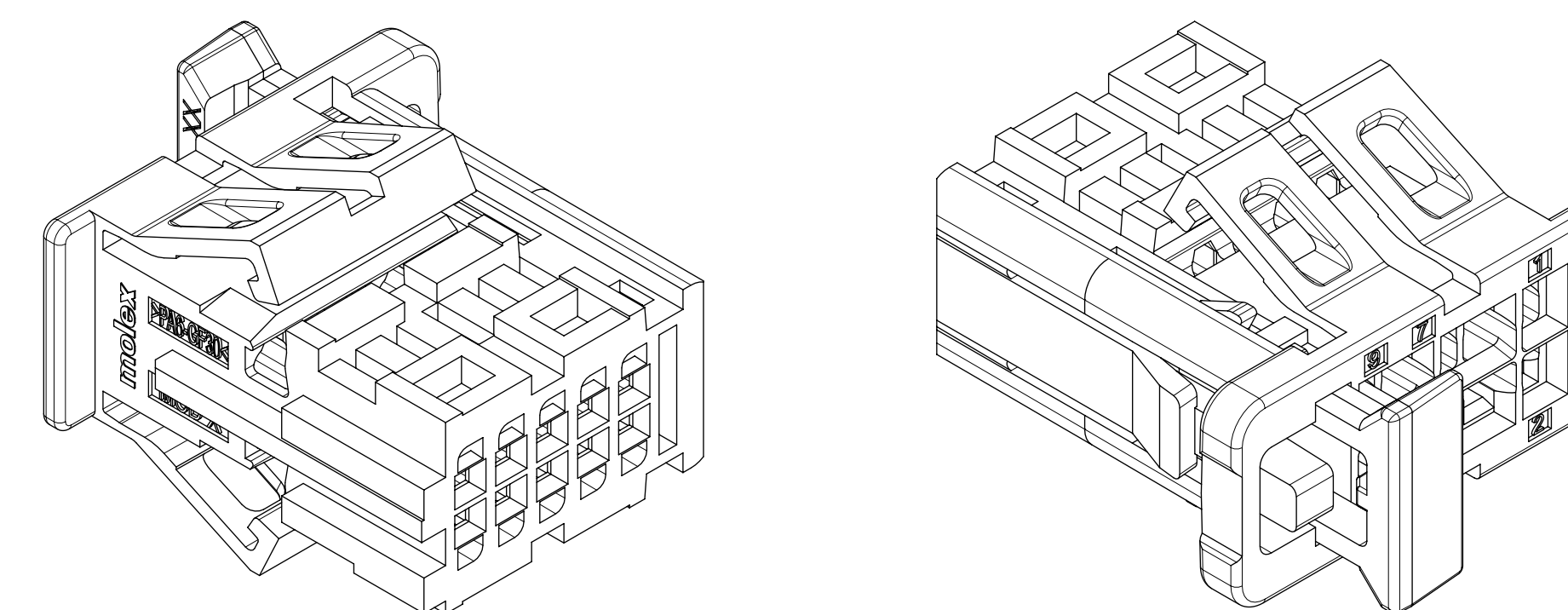
FINAL PART: 08CKT RECT/CPA ASSY - KEY A

**RECEPTACLE
 10CKT SHOWN:**



	SERIES NUMBERS (AAAAAA)	TYPE OF COMPONENT (B)	USABLE CIRCUITS (CC)	KEY (D)
ON DRAWING	205825 - DR RECEPTACLE	2 - STD MATL; FULLY POPULATED 4 - STD MATL; LAST 2 CKTS DEPOPULATED / UNUSABLE	02 - 2 Circuits	1 - KEY A
MATING PARTS	205826 - DR RECEPTACLE / CPA ASSEMBLY		...	2 - KEY B
	206957 - DR VERTICAL SMT STANDARD PERFORMANCE HEADER		...	3 - KEY C
	206958 - DR RIGHT ANGLE SMT STANDARD PERFORMANCE HEADER		22 - 22 Circuits	4 - KEY D

**RECEPTACLE WITH CPA
 08CKT SHOWN:**



INTERFACE	INTERFACE CKT SIZE	DIM A	DIM B	DIM C	KEY	COLOR	RECEPTACLE ONLY		RECEPTACLE WITH CPA		PART STATUS
							PART NUMBER	USABLE CIRCUITS	PART NUMBER	USABLE CIRCUITS	
1.4	4	10.56	7.48	0.20	A	BLACK	2058252041	4	2058264021	2	INQUIRE FOR AVAILABILITY
					B	NATURAL	2058252042	4	2058264022	2	
					C	BLUE	2058252043	4	2058264023	2	
					D	VIOLET	2058252044	4	2058264024	2	
1.4	6	12.36	9.28	1.10	A	BLACK	2058252061	6	2058264041	4	INQUIRE FOR AVAILABILITY
					B	NATURAL	2058252062	6	2058264042	4	
					C	BLUE	2058252063	6	2058264043	4	
					D	VIOLET	2058252064	6	2058264044	4	
1.4	8	14.16	11.08	2.00	A	BLACK	2058252081	8	2058264061	6	INQUIRE FOR AVAILABILITY
					B	NATURAL	2058252082	8	2058264062	6	
					C	BLUE	2058252083	8	2058264063	6	
					D	VIOLET	2058252084	8	2058264064	6	
1.4	10	15.96	12.88	2.90	A	BLACK	2058252101	10	2058264081	8	AVAILABLE
					B	NATURAL	2058252102	10	2058264082	8	
					C	BLUE	2058252103	10	2058264083	8	
					D	VIOLET	2058252104	10	2058264084	8	
1.4	12	17.76	14.68	3.80	A	BLACK	2058252121	12	2058264101	10	INQUIRE FOR AVAILABILITY
					B	NATURAL	2058252122	12	2058264102	10	
					C	BLUE	2058252123	12	2058264103	10	
					D	VIOLET	2058252124	12	2058264104	10	
1.4	14	19.56	16.48	4.70	A	BLACK	2058252141	14	2058264121	12	INQUIRE FOR AVAILABILITY
					B	NATURAL	2058252142	14	2058264122	12	
					C	BLUE	2058252143	14	2058264123	12	
					D	VIOLET	2058252144	14	2058264124	12	
1.4	16	21.36	18.28	5.60	A	BLACK	2058252161	16	2058264141	14	INQUIRE FOR AVAILABILITY
					B	NATURAL	2058252162	16	2058264142	14	
					C	BLUE	2058252163	16	2058264143	14	
					D	VIOLET	2058252164	16	2058264144	14	
1.4	18	23.16	20.08	6.50	A	BLACK	2058252181	18	2058264161	16	INQUIRE FOR AVAILABILITY
					B	NATURAL	2058252182	18	2058264162	16	
					C	BLUE	2058252183	18	2058264163	16	
					D	VIOLET	2058252184	18	2058264164	16	
1.4	20	24.96	21.88	7.40	A	BLACK	2058252201	20	2058264181	18	INQUIRE FOR AVAILABILITY
					B	NATURAL	2058252202	20	2058264182	18	
					C	BLUE	2058252203	20	2058264183	18	
					D	VIOLET	2058252204	20	2058264184	18	
1.4	22	26.76	23.68	8.30	A	BLACK	2058252221	22	2058264201	20	AVAILABLE
					B	NATURAL	2058252222	22	2058264202	20	
					C	BLUE	2058252223	22	2058264203	20	
					D	VIOLET	2058252224	22	2058264204	20	

B2	CHANGED COLOR OF KEY B FROM GREY TO NATURAL IN THE BOM TABLE
B1	ADDED NOTE 1.7; INTERNAL GEOMETRY CHANGES; REMOVED DIM 2
B	RAISED LATCH PAD ADDED; CPA MAX DIMENSIONS ADJUSTED; BALLOON NUMBERS ADDED; NOTES MODIFIED; CPA COLOR CHANGE
A5	NON FUNCTIONAL CHANGES
REV	DESCRIPTION

INSPECTION BALLOON NUMBER LOG

PER DRAWING REVISION: B2

LAST BALLOON USED: 22

ADDED BALLOON NUMBERS:

REMOVED BALLOON NUMBERS: 2

THIS DRAWING CONTAINS INFORMATION THAT IS PROPRIETARY TO MOLEX ELECTRONIC TECHNOLOGIES, LLC AND SHOULD NOT BE USED WITHOUT WRITTEN PERMISSION

DIMENSION UNITS: mm SCALE: 5:1

GENERAL TOLERANCES (UNLESS SPECIFIED):

ANGULAR TOL ± 5.0°

4 PLACES ± 0.0005

3 PLACES ± 0.005

2 PLACES ± 0.05

1 PLACE ± 0.1

0 PLACES ± 1.0

DRAFT WHERE APPLICABLE MUST REMAIN WITHIN DIMENSIONS

THIRD ANGLE PROJECTION

EC NO: 677008

DRWN: VBALASUBRAMA 2021/09/08

CHK'D: JDUNAJ 2021/09/08

APPR: JDUNAJ 2021/09/08

INITIAL REVISION:

DRWN: ECOLARUSSO 2018/01/31

APPR: JDUNAJ 2018/03/12

DRAWING: D-SIZE

SERIES: 205825

MATERIAL NUMBER: SEE NOTES

CUSTOMER: GENERAL MARKET

SHEET NUMBER: 1 OF 2

CONNTAK50 DUAL ROW TANG RECEPTACLE & RECEPTACLE/CPA ASSEMBLY

PRODUCT CUSTOMER DRAWING

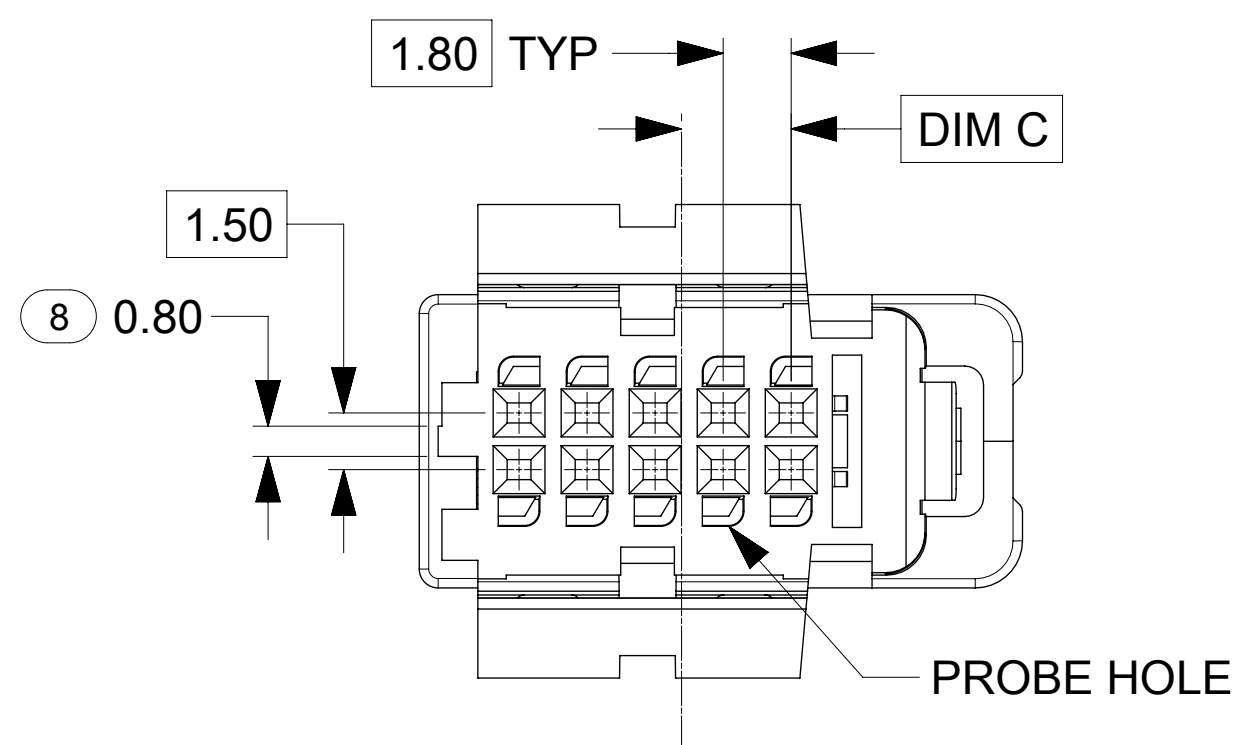
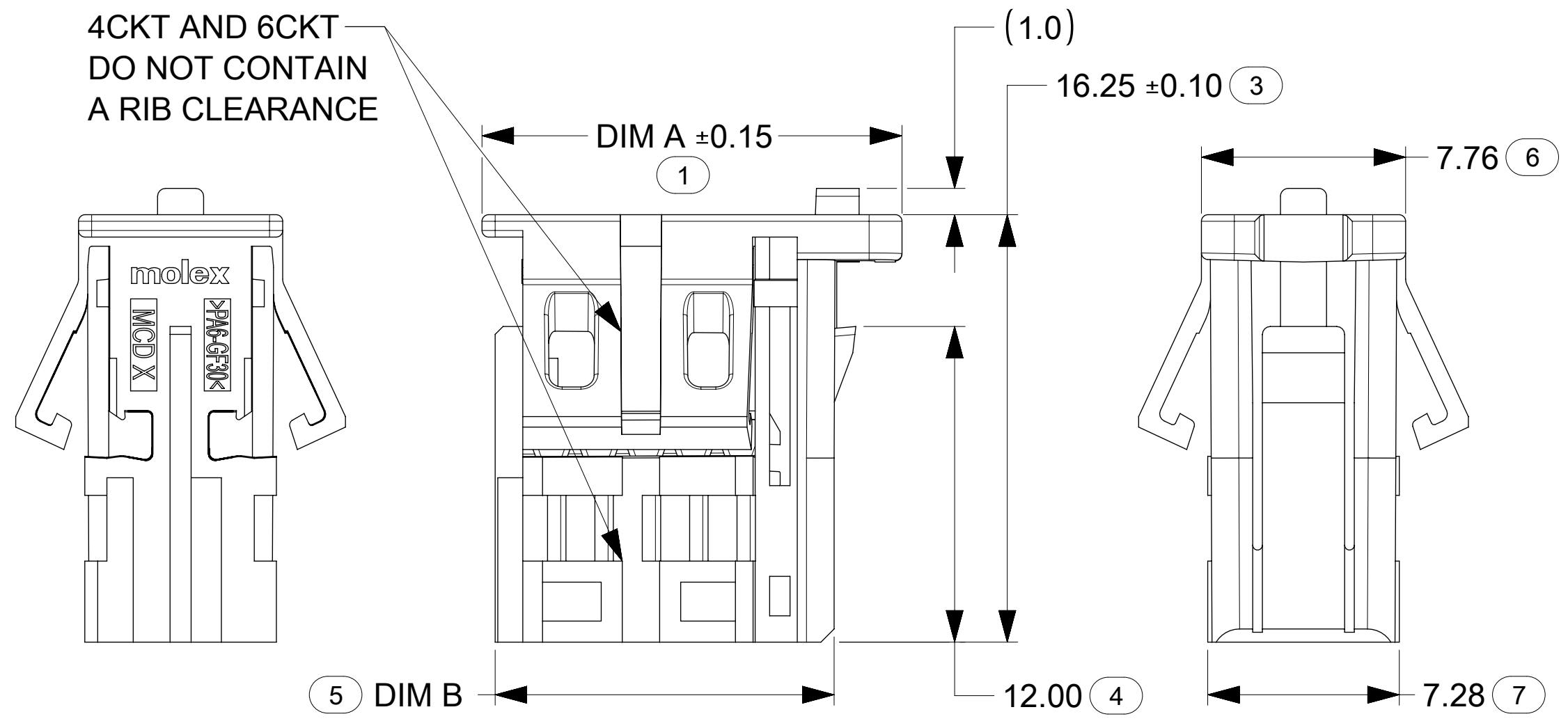
DOCUMENT NUMBER: 2058250002

DOC TYPE: PSD

DOC PART: 000

REVISION: B2

4CKT AND 6CKT
DO NOT CONTAIN
A RIB CLEARANCE



NOTES:

VALID UNLESS OTHERWISE SPECIFIED

1. GENERAL:

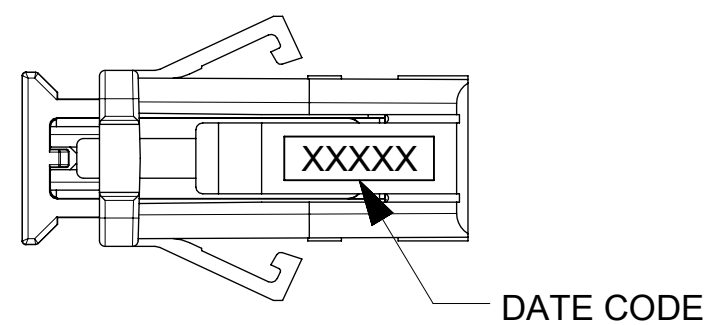
- 1.1 APPLICATION SPECIFICATION SEE: 2046310000-AS
- 1.2 PRODUCT SPECIFICATION SEE: 2046310000-PS
- 1.3 PACKAGING SPECIFICATION PER MOLEX DRAWING: PK-31301-695
- 1.4 THE MAXIMUM USABLE CIRCUITS WHEN USING THE CPA
- 1.5 COMPATIBLE WITH STANDARD AK INTERFACE DRAWING C-114-94000-20 REV A1
- 1.6 COMPATIBLE WITH MOLEX AK INTERFACE 2046310002
- 1.7 TOLERANCES APPLY IN DRY AS MOLDED STATE ONLY

2. DESIGN - MATERIALS:

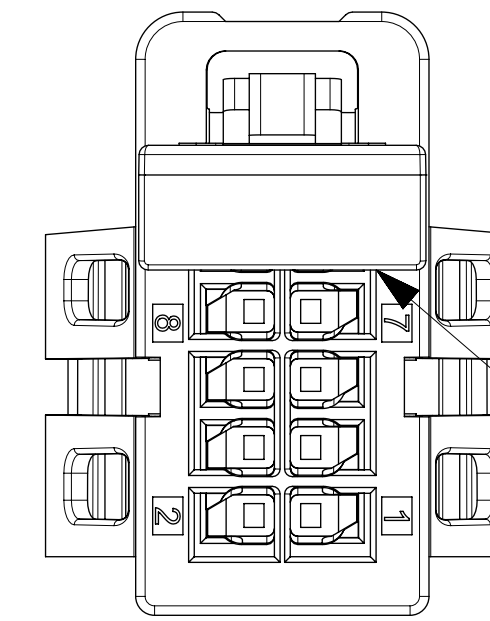
- 2.1 RECEPTACLE HOUSING:
 - a. MATERIAL: PA6-GF30%
 - b. COLOR: SEE PART TABLE
- 2.2 CPA
 - a. MATERIAL: PA6-GF30%
 - b. COLOR: RED

3. DESIGN - GEOMETRY:

- 3.1 GEOMETRIC DIMENSIONS AND TOLERANCES PER ASME Y14.5-2018
- 3.2 EDGES AND UNDIMENSIONED DETAILS PER ISO13715
- 3.3 CORNERS SHOWN AS SHARP TO BE R 0.2 MAX.
- 3.4 MARKED TEXT TO INCLUDE:
 - a. FOR RECEPTACLE COMPONENT: RECYCLING CODE, CAVITY ID, AND VENDOR IDENTIFICATION.
 - b. FOR ASSEMBLY ONLY: LASER ETCHED DATE CODE
1ST THROUGH 2ND DIGIT = CALENDAR YEAR
3RD THROUGH 5TH DIGIT = "DAY #" OF YEAR

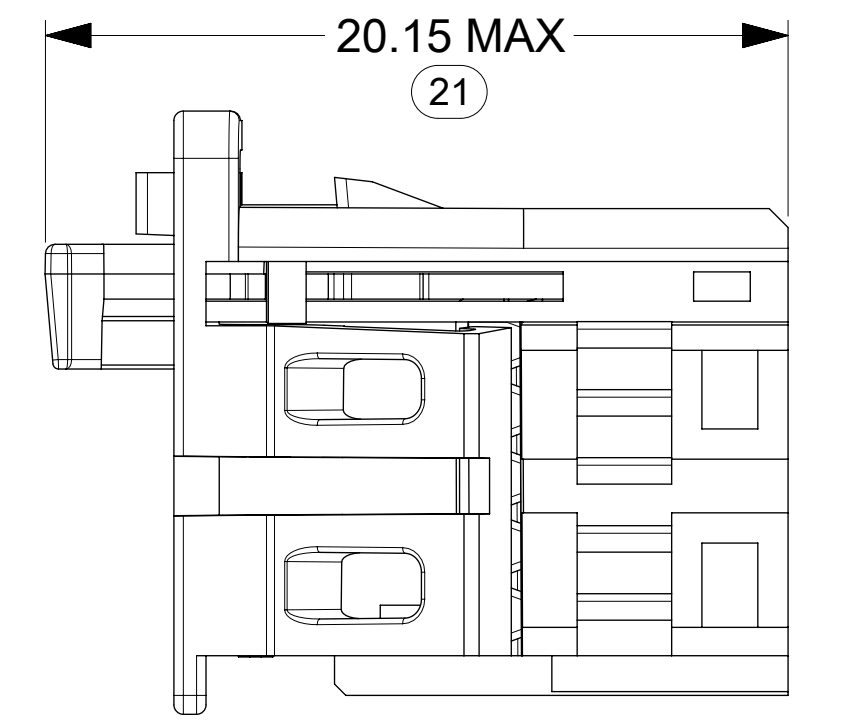


CPA:

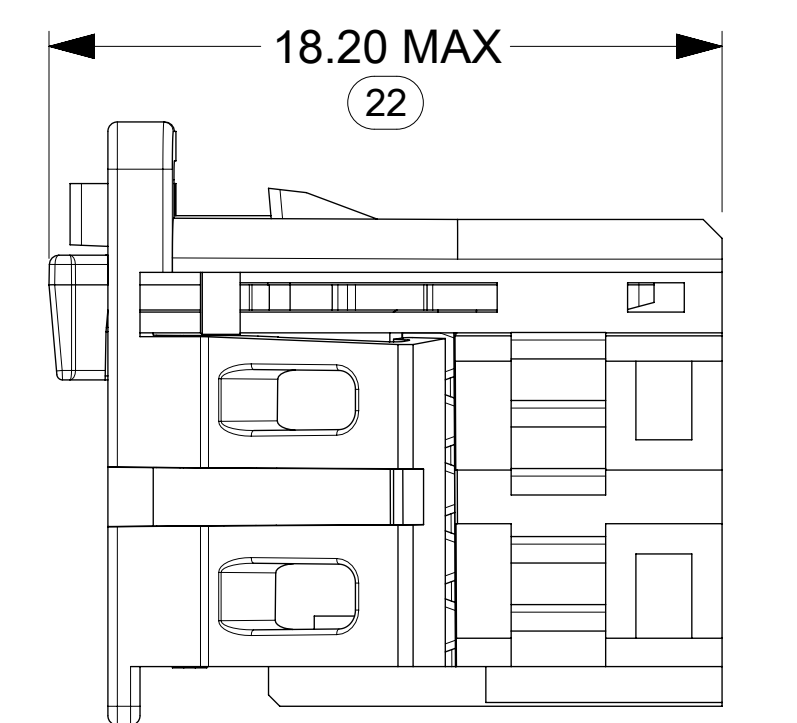


NOTE: 2 CIRCUITS UNAVAILABLE
WHEN CPA IS USED

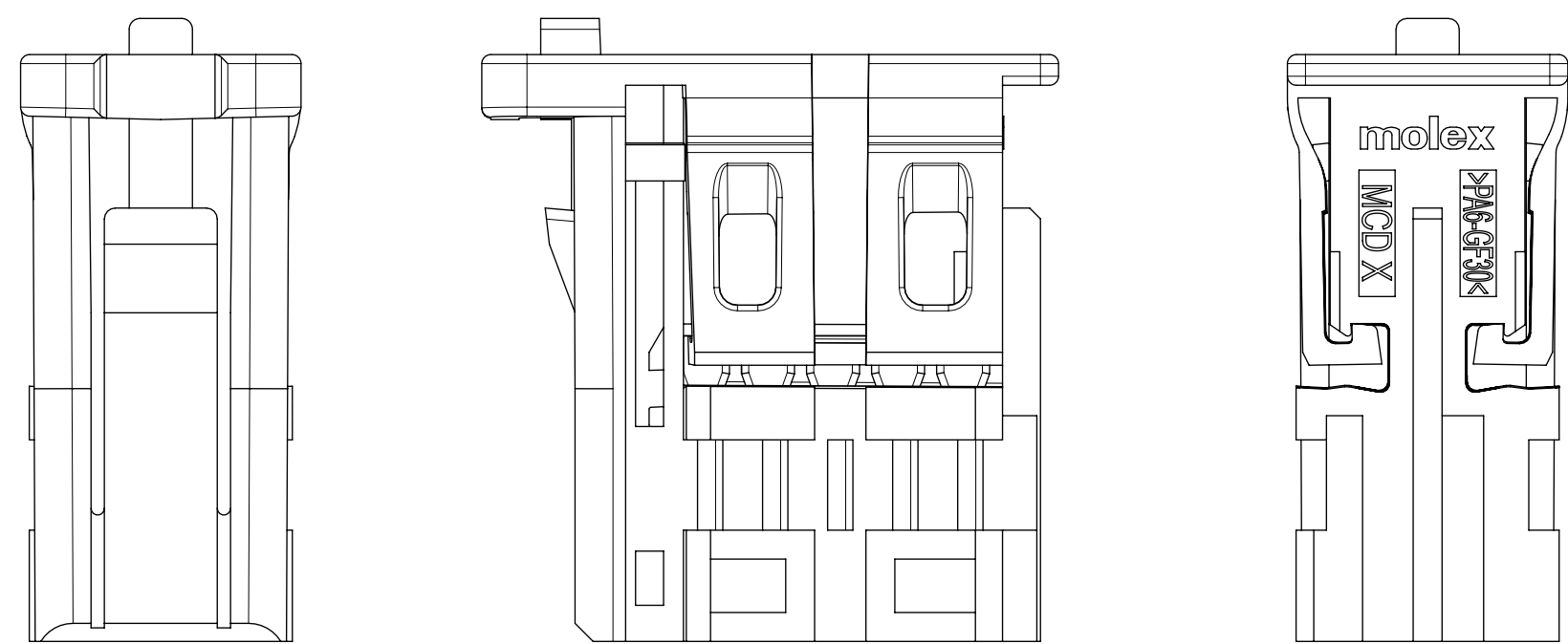
CPA IN PRE-LOCK (AS DELIVERD)



CPA IN FINAL LOCK

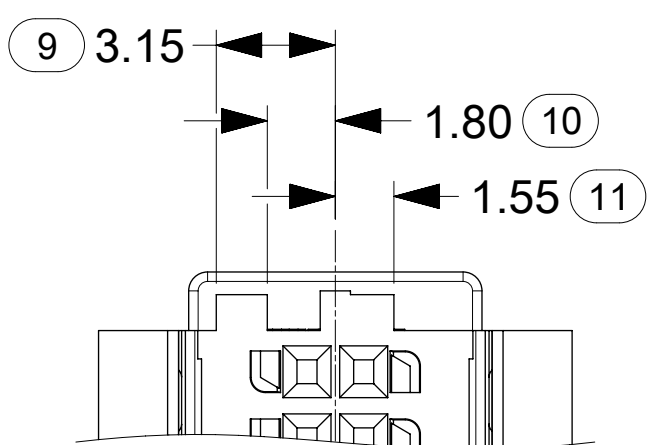


ISL IN FINAL LOCK

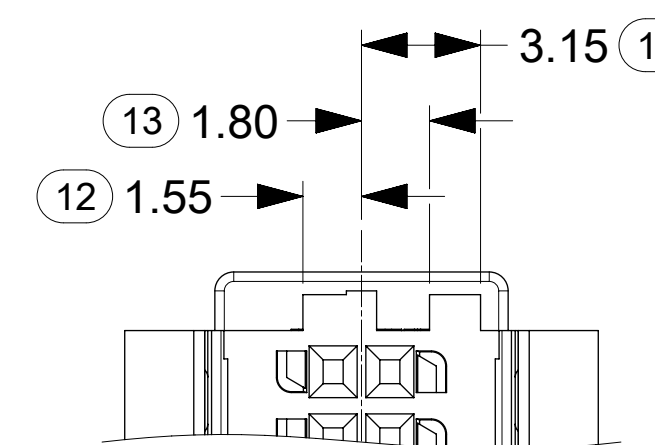


KEYS / POLARIZATIONS / CODINGS

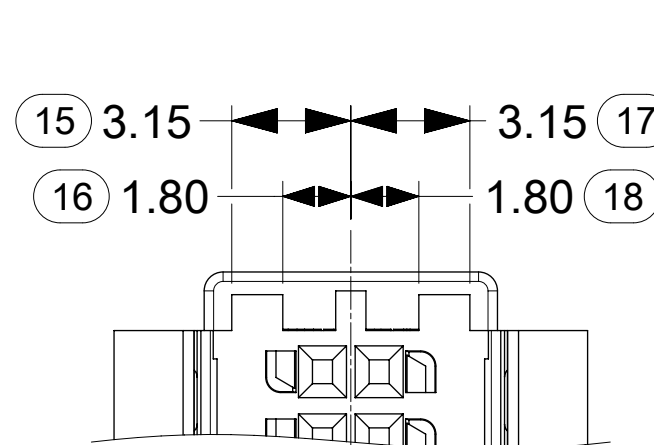
KEY A



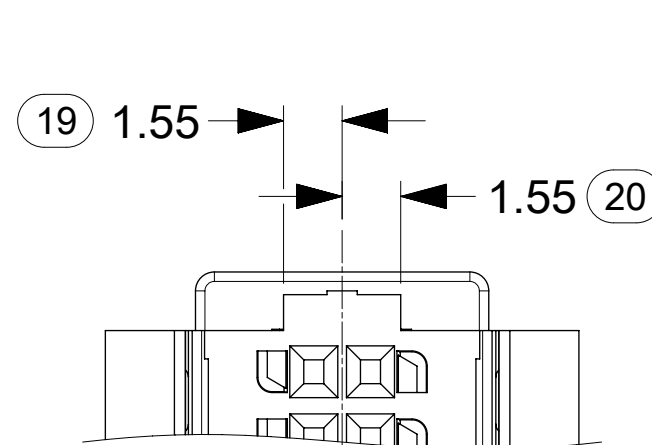
KEY B



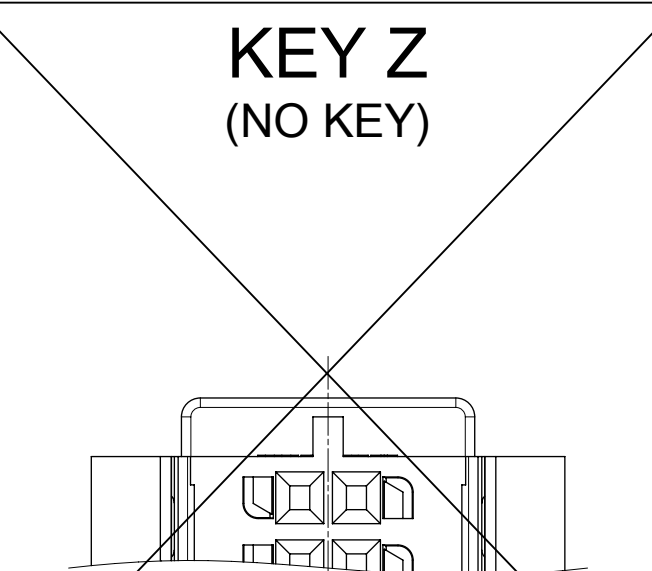
KEY C



KEY D



KEY Z
(NO KEY)



THIS DRAWING CONTAINS INFORMATION THAT IS PROPRIETARY TO MOLEX ELECTRONIC TECHNOLOGIES, LLC AND SHOULD NOT BE USED WITHOUT WRITTEN PERMISSION

DIMENSION UNITS	SCALE	CURRENT REV DESC:	
mm	5:1		
GENERAL TOLERANCES (UNLESS SPECIFIED)		EC NO: 677008	
ANGULAR TOL	± 5.0°	DRWN: VBALASUBRAMA	2021/09/08
4 PLACES	± 0.0005	CHK'D: JDUNAJ	2021/09/08
3 PLACES	± 0.005	APPR: JDUNAJ	2021/09/08
2 PLACES	± 0.05	INITIAL REVISION:	
1 PLACE	± 0.1	DRWN: ECOLARUSSO	2018/01/31
0 PLACES	± 1.0	APPR: JDUNAJ	2018/03/12
DRAFT WHERE APPLICABLE MUST REMAIN WITHIN DIMENSIONS		THIRD ANGLE PROJECTION	DRAWING SERIES
			D-SIZE 205825
DOCUMENT STATUS		MATERIAL NUMBER	CUSTOMER
P1	RELEASE DATE	2058250002	GENERAL MARKET
	2021/09/08 19:32:31	DOC TYPE	DOC PART
		PSD	000
		REVISION	
		B2	
		SHEET NUMBER	
		2 OF 2	

molex

CONNTAK50 DUAL ROW TANG RECEPTACLE & RECEPTACLE/CPA ASSEMBLY

PRODUCT CUSTOMER DRAWING

DOCUMENT NUMBER: 2058250002, DOC TYPE: PSD, DOC PART: 000, REVISION: B2

MATERIAL NUMBER: 205825, CUSTOMER: GENERAL MARKET, SHEET NUMBER: 2 OF 2