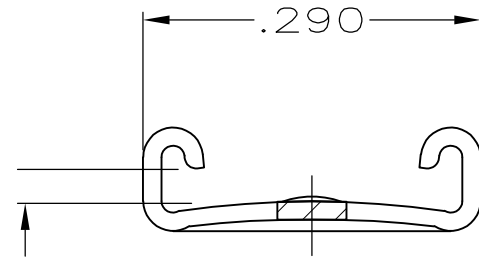
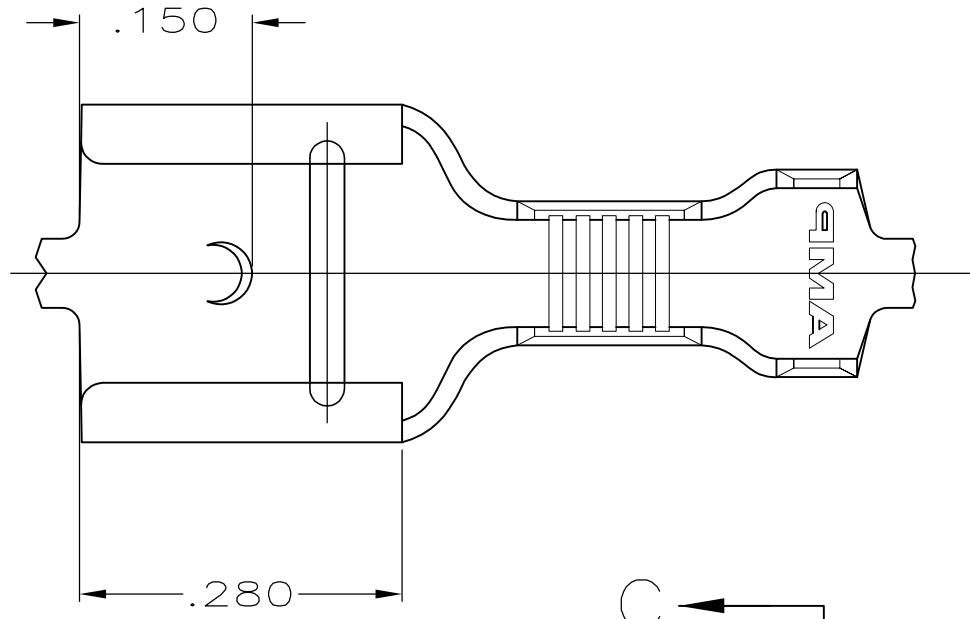


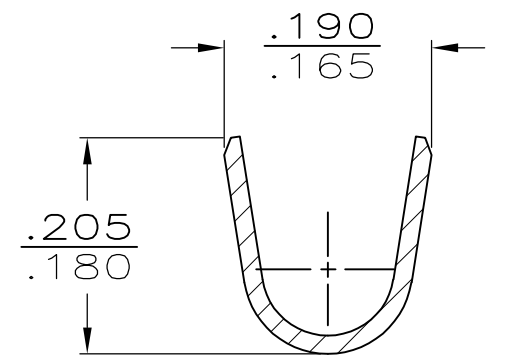
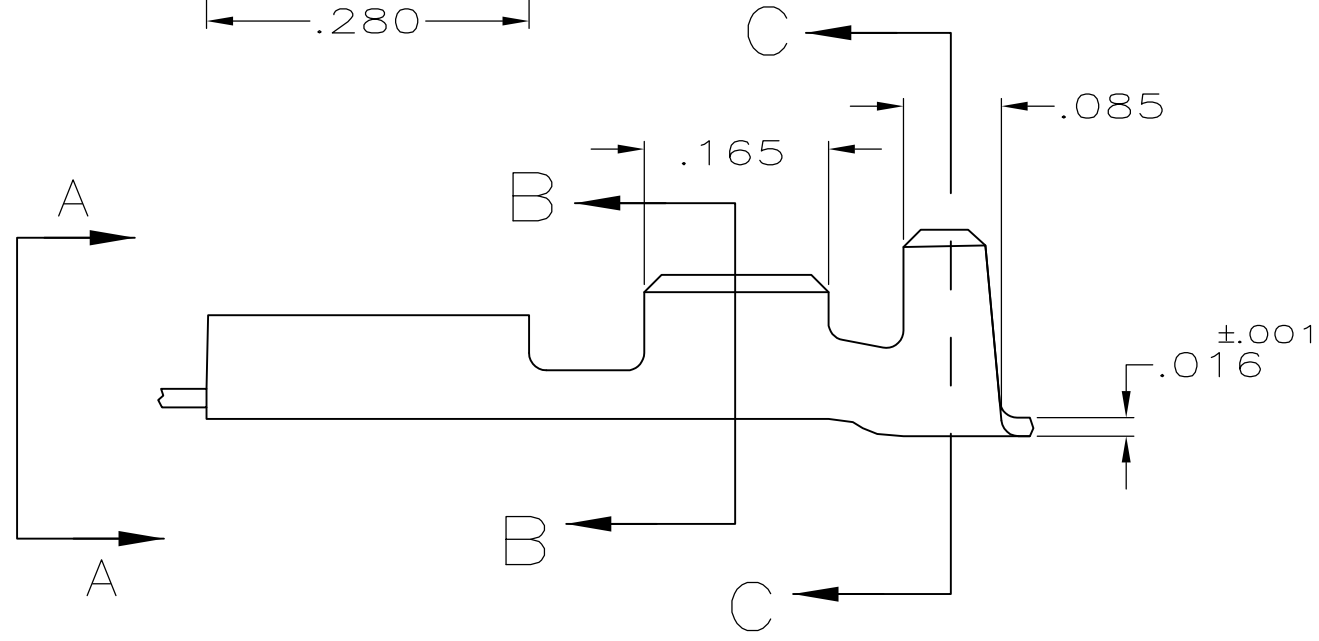
THIS DRAWING IS UNPUBLISHED. RELEASED FOR PUBLICATION
 © COPYRIGHT - By TYCO ELECTRONICS CORPORATION. ALL RIGHTS RESERVED.

LOC	DIST	REVISIONS					
AF	50	P	LTR	DESCRIPTION	DATE	DWN	APVD
			D	REVISE PER ECR-13-013738	15FEB2014	GRZ	JL

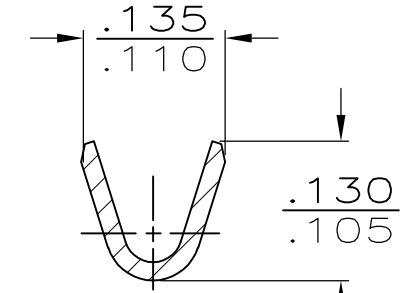
1 CONTINUOUS STRIP ON REELS.



— FITS .250 SERIES FASTON TAB
 VIEW A-A



SECTION C-C



SECTION B-B

.100-.140	1000-3000	23-20	20-16	.020	62080-1
INSULATION RANGE	CMA	2 MAGNET	1 MAGNET	MATING TAB THK ±.001	PART NUMBER

THIS DRAWING IS A CONTROLLED DOCUMENT.		DWN	JR RUTH	8/28/95	STE TE Connectivity			
DIMENSIONS: INCHES		CHK	MS FEHER	8/28/95				
TOLERANCES UNLESS OTHERWISE SPECIFIED:		APVD	-	8/28/95				
0 PLC ± -		PRODUCT SPEC	-	8/28/95				
1 PLC ± -		APPLICATION SPEC	114-2144	-	NAME			
2 PLC ± -		WEIGHT	-	-	RECEPTACLE, FASTON, AMPLIVAR, .250 SERIES			
3 PLC ± .015		CUSTOMER DRAWING			SIZE	A3		
4 PLC ± -		SCALE			6:1	CAGE CODE	00779	
ANGLES ± -		SHEET			1 OF 1	DRAWING NO	C-62080	
FINISH		RESTRICTED TO			-	REV	D	
MATERIAL		SCALE			6:1	SHEET		1 OF 1
BRASS		RESTRICTED TO			-	REV		D