



MULTI-BEAM

TE Internal #: 1-1600961-8

Power Contacts, Contact, 300 VAC / 60 VAC, 300 VDC / 60 VDC,
Gold, 14 – 12 AWG Wire Size, 2.5 – 4 mm² Wire Size, 4107 – 6530
CMA Wire Size

[View on TE.com >](#)

Connectors > Power Connectors > Power Contacts



Power Contact Type: **Contact**

Operating Voltage: **60 VDC, 300 VDC**

Contact Mating Area Plating Material: **Gold**

Wire Size: **14 – 12 AWG**

Features

Product Type Features

Power Contact Type	Contact
Sealable	No
Connector & Contact Terminates To	Wire & Cable

Electrical Characteristics

Operating Voltage	60 VDC, 300 VDC
-------------------	-----------------

Contact Features

Barrel Type	Open
Contact Mating Area Plating Material	Gold
Contact Current Rating (Max)	42 A
Contact Type	Receptacle
Contact Retention Within Housing	Without
Contact Base Material	Copper Alloy
Contact Mating Area Plating Material Thickness	.76 µm[30 µin]
Wire Contact Termination Area Plating Thickness	1.27 – 2.54 µm[50 – 100 µin]
Wire Contact Termination Area Plating Material	Tin



Wire Contact Termination Area Plating Material Finish	Matte
Contact Orientation	Straight
Contact Underplating Material	Nickel
Contact Underplating Material Thickness	1.27 µm[50 µin]

Termination Features

Termination Method to Wire & Cable	Crimp
------------------------------------	-------

Mechanical Attachment

Wire Insulation Support	With
-------------------------	------

Dimensions

Wire Size	4107 – 6530 CMA
Compatible Insulation Diameter Range	3 – 4.4 mm[.12 – .176 in]

Usage Conditions

Operating Temperature Range	-55 – 105 °C[-67 – 221 °F]
-----------------------------	----------------------------

Operation/Application

Circuit Application	Power
---------------------	-------

Packaging Features

Packaging Quantity	1000
Packaging Method	Reel

Product Compliance

[For compliance documentation, visit the product page on TE.com>](#)

EU RoHS Directive 2011/65/EU	Compliant
EU ELV Directive 2000/53/EC	Compliant
China RoHS 2 Directive MIIT Order No 32, 2016	No Restricted Materials Above Threshold
EU REACH Regulation (EC) No. 1907/2006	Current ECHA Candidate List: JUNE 2023 (235) Candidate List Declared Against: JAN 2023 (233) Does not contain REACH SVHC
Halogen Content	Low Halogen - Br, Cl, F, I < 900 ppm per homogenous material. Also BFR/CFR/PVC Free
Solder Process Capability	Not applicable for solder process capability

Product Compliance Disclaimer

This information is provided based on reasonable inquiry of our suppliers and represents our current actual knowledge based on the information they provided. This information is subject to change. The part numbers that TE has identified as EU RoHS compliant have a maximum concentration of 0.1% by weight in homogenous materials for lead, hexavalent chromium, mercury, PBB, PBDE, DBP, BBP, DEHP, DIBP, and 0.01% for cadmium, or qualify for an exemption to these limits as defined in the Annexes of Directive 2011/65/EU (RoHS2). Finished electrical and electronic equipment products will be CE marked as required by Directive 2011/65/EU. Components may not be CE marked. Additionally, the part numbers that TE has identified as EU ELV compliant have a maximum concentration of 0.1% by weight in homogenous materials for lead, hexavalent chromium, and mercury, and 0.01% for cadmium, or qualify for an exemption to these limits as defined in the Annexes of Directive 2000/53/EC (ELV). Regarding the REACH Regulation, the information TE provides on SVHC in articles for this part number is based on the latest European Chemicals Agency (ECHA) 'Guidance on requirements for substances in articles' posted at this URL: <https://echa.europa.eu/guidance-documents/guidance-on-reach>

Compatible Parts



TE Part # 1385635-1
HDM SAPR136F1700 LM



TE Part # 1385635-3
HDM SAPR136F1700 G



TE Part # 1385636-2
HDM SAPR136F2000 K



TE Part # 1385636-3
HDM SAPR136F2000 G



TE Part # 2-2837091-2
OC-PA-S-FA-136F2000-001-0318



TE Part # 2837091-2
OC-AT-S-FA-136F2000-001-0318



KIT
REPRESENTATION ONLY

TE Part # 7-2837091-7
OC-136F2000-CRIMP TOOLINGKIT

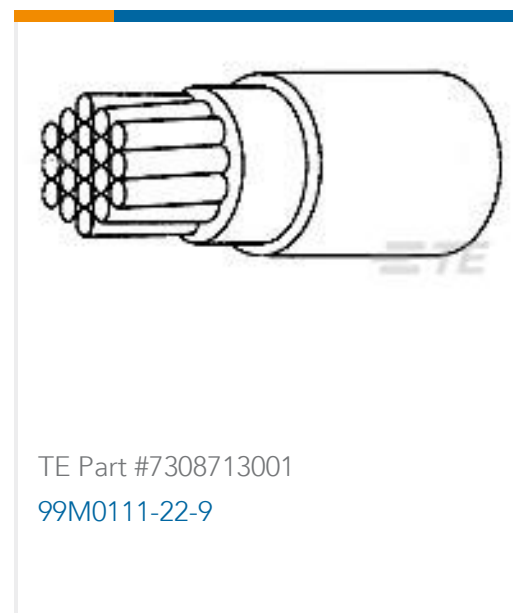


TE Part # 2063500-1
SDE COMMERCIAL TOOL & DIE



TE Part # 2063500-2
SDE COMMERCIAL DIE

Customers Also Bought



Documents

Product Drawings

[CONT 12-16 AWG PWR, STD PLATE](#)

English

CAD Files

Customer View Model

[ENG_CVM_CVM_1-1600961-8_B1.2d_dxf.zip](#)

English

[3D PDF](#)

3D

Customer View Model

[ENG_CVM_CVM_1-1600961-8_B1.3d_igs.zip](#)

English

Customer View Model

[ENG_CVM_CVM_1-1600961-8_B1.3d_stp.zip](#)

English

By downloading the CAD file I accept and agree to the [Terms and Conditions](#) of use.

Datasheets & Catalog Pages

[POWER_CONNECTORS_CATALOG_SEC01_BOARD_TO_BOARD](#)

English

Product Specifications

[Application Specification](#)

English

Product Environmental Compliance

[Product Compliance Document](#)

1-1600961-8

Power Contacts, Contact, 300 VAC / 60 VAC, 300 VDC / 60 VDC, Gold, 14 – 12 AWG
Wire Size, 2.5 – 4 mm² Wire Size, 4107 – 6530 CMA Wire Size



English

[Product Compliance Document](#)

English