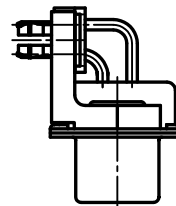
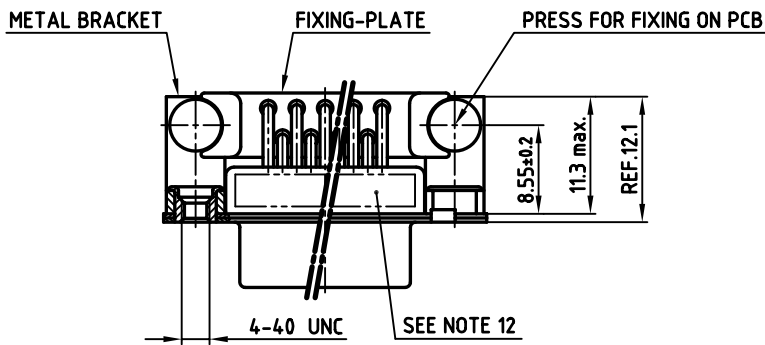
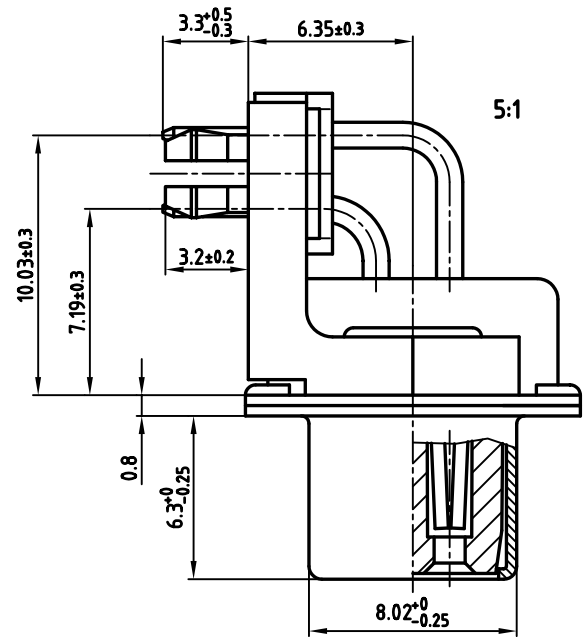
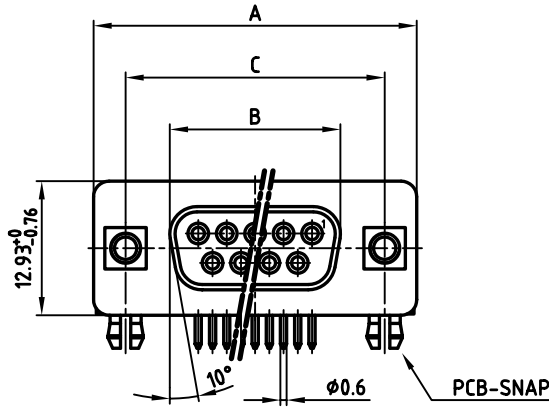


No. of pos.	A <sup>-0.76</sup>	B <sup>-0.25</sup>	C	Part NO.
9	31.19	16.46	25.00 <sup>+0.12</sup> / <sub>-0.13</sub>	242A17700X
15	39.52	24.79	33.30 <sup>+0.15</sup> / <sub>-0.1</sub>	242A17710X
25	53.42	38.50	47.04 <sup>+0.13</sup>	242A17720X
37	69.70	54.96	63.50 <sup>+0.13</sup>	242A17730X



**NOTES:**

- METAL SHELLS: STEEL; min. 315µin TIN over 40-80pin NICKEL
- INSULATORS: HIGH TEMPERATURE PLASTIC UL 94 V-0, BLACK
- CONTACTS: COPPER ALLOY  
PLATING: 8µin HARD GOLD OVER min. 50µin NICKEL  
CONTACT TAILS PRETINNED
- METAL BRACKET: ZINC DIE CAST; 300µin COPPER/40-120µin NICKEL/120-200µin TIN
- THREADED INSERT: COPPER ALLOY; min. 200µin TIN over 80µin NICKEL
- PCB-SNAP: COPPER ALLOY; min. 200µin TIN over 80µin NICKEL  
PCB-HOLE:  $\phi 3.1 \pm 0.1$ ; PCB THICKNESS 1.6mm
- FIXING-PLATE: PBT GF UL 94 V-0, BLACK
- P.C.B. HOLE DRILLINGS ON SHEET 2
- CAPACITANCE: 830pF  $\pm 20\%$
- DIELECTRIC WITHSTANDING VOLTAGE: 424 VDC
- MAXIMUM TORQUE VALUE FOR THREAD: 6 in.LB
- CONNECTOR IS PART MARKED: PART-NO. CONEC ABC



APPROVAL # FREIGABE # DEBLOCAGE # AUTORIZACION # APPROVAL

CUSTOMER APPROVAL DATE:

NAME: TITLE:

COMPANY NAME:

APPROVAL # FREIGABE # DEBLOCAGE # AUTORIZACION # APPROVAL

THIS DRAWING MAY NOT BE COPIED OR REPRODUCED IN ANY WAY, AND MAY NOT BE PASSED ON TO A THIRD PARTY, WITHOUT WRITTEN PERMISSION. OWNERSHIP AND COPYRIGHT OF CONEC GmbH DO NOT ALTER CAD DRAWING BY HAND

rev.	description	date	name
a	Origin		

tolerance	dim. in mm
2006	date
drawn	24.10. Lehmenkühler
appd.	24.10. Mickenbecker
norm	DIN 41652
d-old	
<b>CONEC</b>	

scale: 2:1 (5:1)

material: SEE NOTES

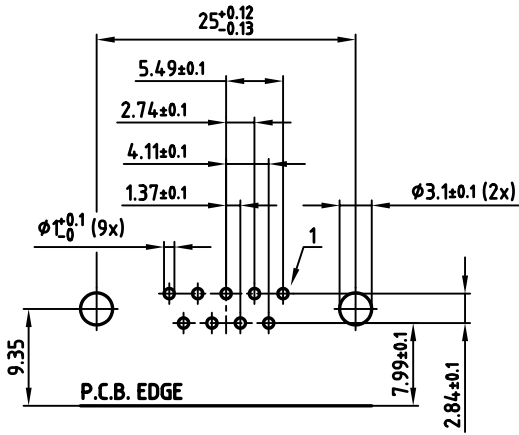
title: **D-SUB FILTER FEMALE 90°**  
9-37pos. 0.318inch  
threaded insert, metal bracket, fixing-plate, clip

dwg no: AutoCAD 2006 DIN-A 3 sh:1/2

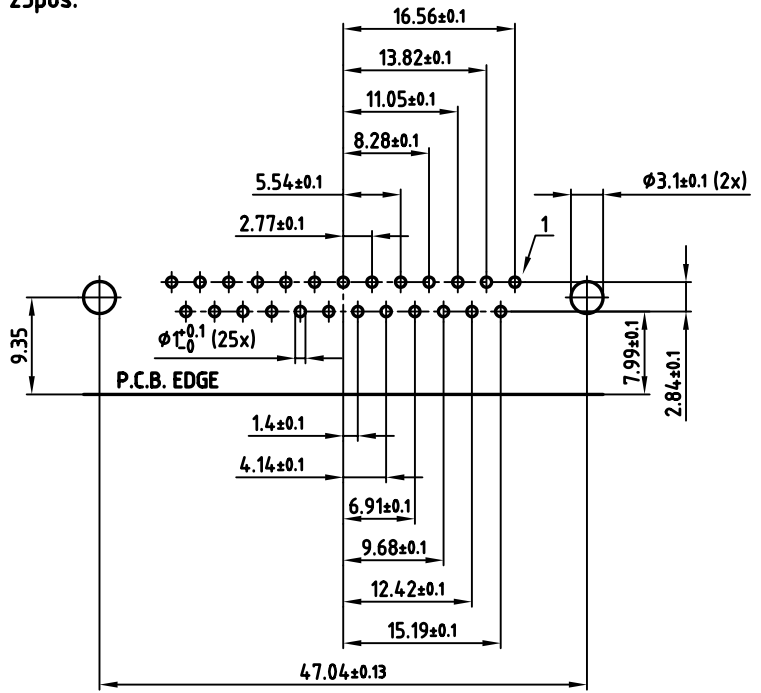
part no: **24K1A938**

SEE TABLE

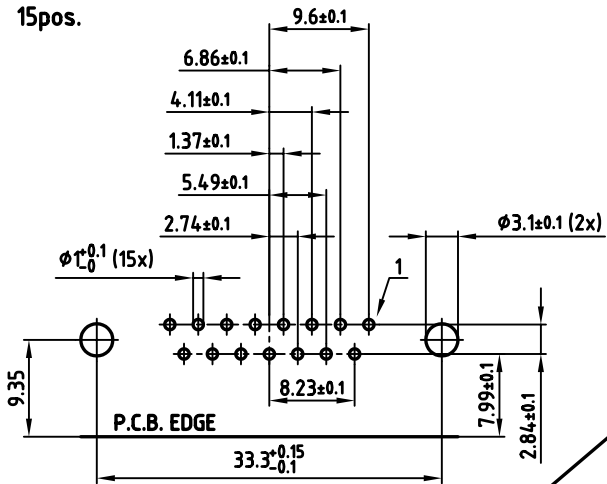
9pos.



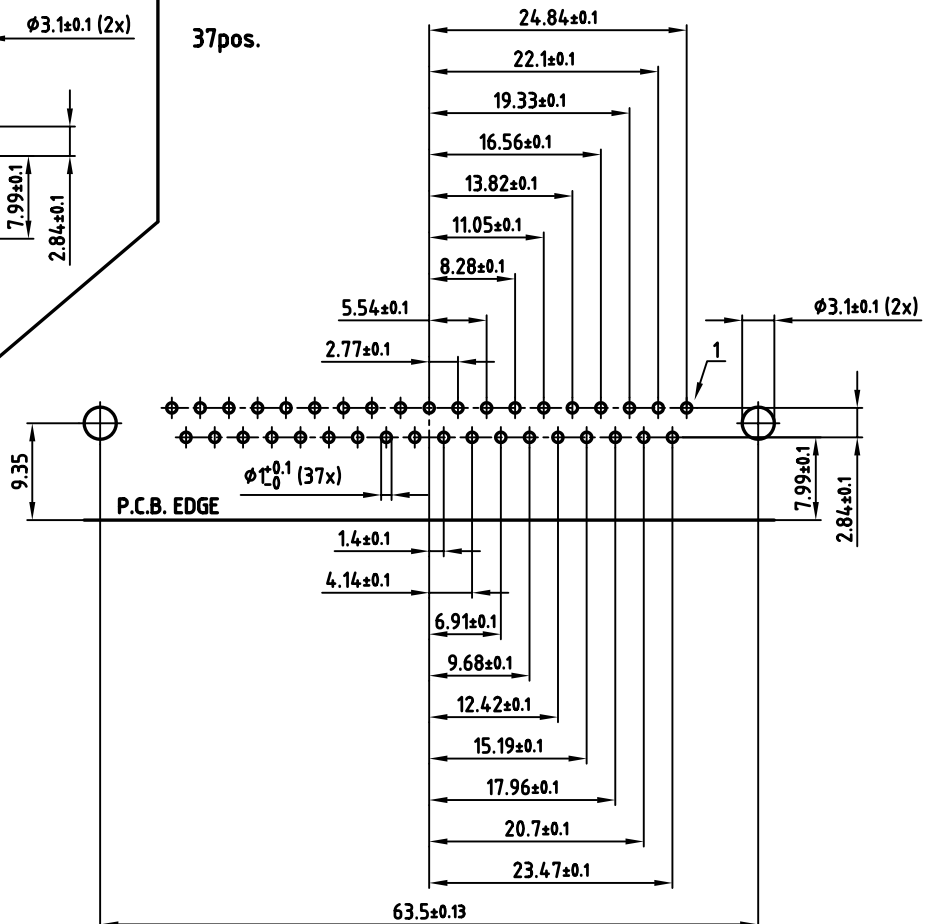
25pos.



15pos.



37pos.



used for: D-SUB FILTER

APPROVAL # FREIGABE # DEBLOCAGE # AUTORIZACION # APPROVAL

CUSTOMER APPROVAL DATE:

NAME: TITLE:

COMPANY NAME:

APPROVAL # FREIGABE # DEBLOCAGE # AUTORIZACION # APPROVAL

THIS DRAWING MAY NOT BE COPIED OR REPRODUCED IN ANY WAY, AND MAY NOT BE PASSED ON TO A THIRD PARTY, WITHOUT WRITTEN PERMISSION. OWNERSHIP AND COPYRIGHT OF CONEC GmbH DO NOT ALTER CAD DRAWING BY HAND

tolerance	dim. in mm	
2006	date	name
drawn	24.10.	Lehmenkühler
appd.	24.10.	Mickenbecker
norm	DIN 41652	
d-old		
a	Origin	
rev.	description	date name

scale: 2:1

material: SEE SHEET 1

title: P.C.B. HOLE DRILLINGS

D-SUB FILTER FEMALE 90° 9-37pos. 0.318inch threaded insert, metal bracket, fixing-plate, clip

dwg no: AutoCAD 2006 DIN-A 3 sh:2/2

part no: SEE SHEET 1

