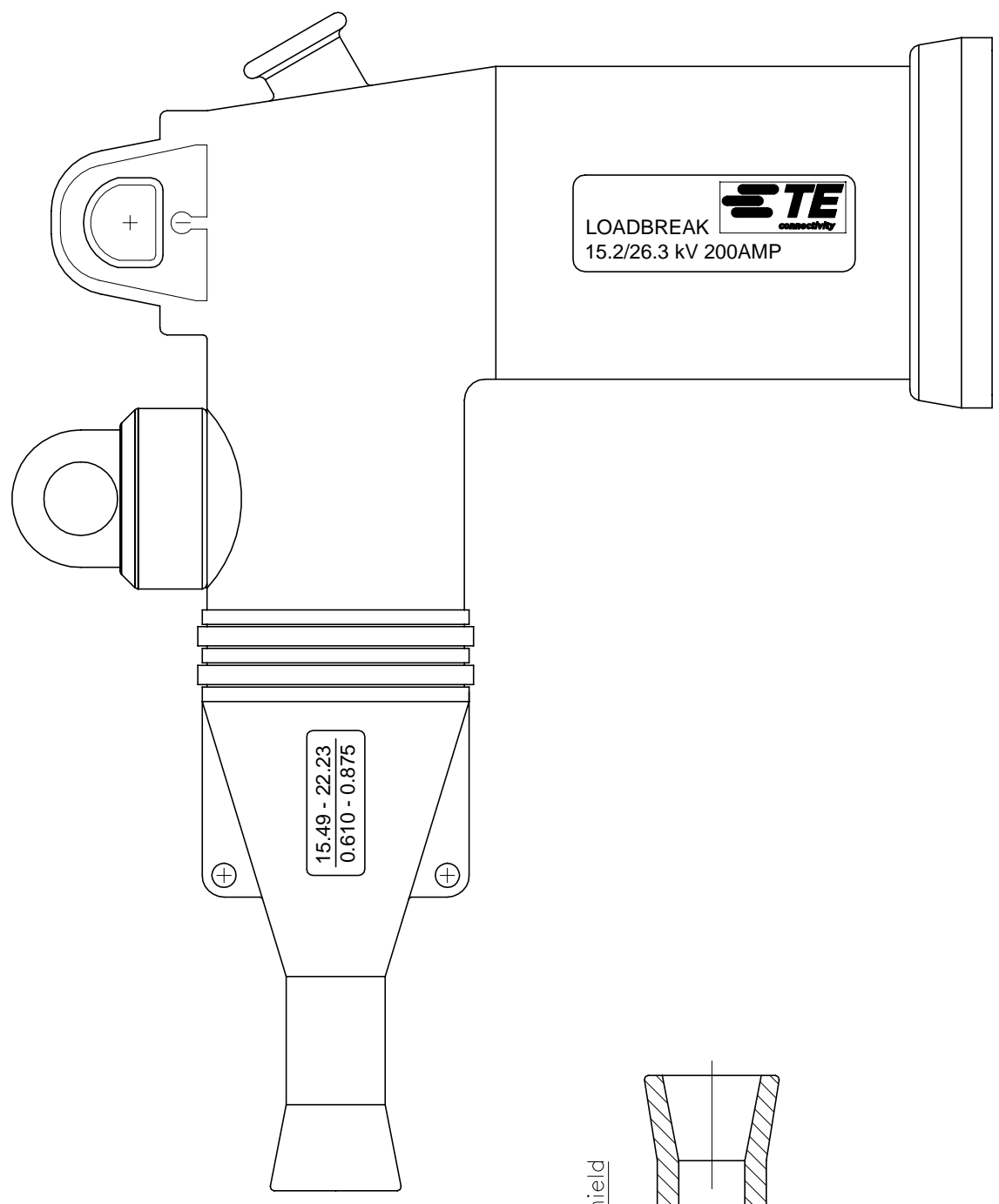


© -	TE Connectivity. All Rights Reserved.
USE RANGE	SIZE
0.575-0.74 [14.6-18.8]mm	A
0.64-0.905 [16.2-23.0]mm	B
0.83-1.06 [21.1-26.9]mm	C
0.93-1.22 [23.6-31.0]mm	D

REVISIONS			
P	LTR	DESCRIPTION	DATE
1	1	NEW DRAWING	12MAY2020

D	APVD	JV
C	DWN	KR



15KV 200A ELBOW FINAL ASSEMBLY

THIS DRAWING IS A CONTROLLED DOCUMENT.		DWN	12MAY2020	TE Connectivity																
DIMENSIONS: mm		CHK	RAGHAVENDRA K.	NAME																
<p>TOLERANCES UNLESS OTHERWISE SPECIFIED:</p> <table border="1"> <tr><td>0</td><td>PLC</td><td>± -</td></tr> <tr><td>1</td><td>PLC</td><td>± -</td></tr> <tr><td>2</td><td>PLC</td><td>± -</td></tr> <tr><td>3</td><td>PLC</td><td>± -</td></tr> <tr><td>4</td><td>PLC</td><td>± -</td></tr> </table>		0	PLC	± -	1	PLC	± -	2	PLC	± -	3	PLC	± -	4	PLC	± -	APVD	VALENCIA, JORDI	PRODUCT SPEC	
0	PLC	± -																		
1	PLC	± -																		
2	PLC	± -																		
3	PLC	± -																		
4	PLC	± -																		
<p>MATERIAL</p>		APVD	RIVA, CARLOS	APPLICATION SPEC																
<p>ANGLES</p>		PRODUCT SPEC	12MAY2020	WEIGHT																
<p>FINISH</p>		SIZE	A3	CAGE CODE	00779															
<p>SCALE</p>		DRAWING NO	C=ELB-15-200																	
<p>SHEET</p>		RESTRICTED TO	NTS																	
<p>1 of 2</p>		REV	1																	
<p>CUSTOMER DRAWING</p>																				

ELB-15-210 Load break

P	LTR	DESCRIPTION	DATE	DWN	APVD
-	-	SEE SHEET 1	-	-	-

Ordering Formula

ELB-15-	1	2	3	4
---------	---	---	---	---

1	CURRENT RATING	TEST POINT CODE
200 = 200 AMP WITHOUT test point		
210 = 210 AMP WITH test point		

4	Jacket Sealing
Code	Type
Blank	No Jacket Seal
ES	Integral Jacket Seal

2	Cable Insulator O.D. Range
Code	Inches
A	.575 - .740
B	.640 - .905
C	.830 - 1.060
D	.930 - 1.220

3	Compression Lugs Conductor Size (Aluminum or Copper)		
Code	Str/ Comp	Compact	Solid
3	3	2	2
2	2	1	1
1	1	1/0	1/0
10	1/0	2/0	2/0
20	2/0	3/0	3/0
30	3/0	4/0	4/0
40	4/0	250	250

THIS DRAWING IS A CONTROLLED DOCUMENT.

DIMENSIONS: mm

TOLERANCES UNLESS OTHERWISE SPECIFIED:

0	PLC	±
1	PLC	±
2	PLC	±
3	PLC	±
4	PLC	±

ANGLES: ±

FINISH: ±

MATERIAL: -

DWN	12MAY2020	RAGHAVENDRA K.
CHK	12MAY2020	VALENCIA, JORDI
APVD	12MAY2020	RIVA, CARLOS
PRODUCT SPEC		
APPLICATION SPEC		
WEIGHT		

TE Connectivity

15kV LOADBREAK ELBOW
ELB-15-200

SIZE: A3
CAGE CODE: 00779
DRAWING NO: ELB-15-200
RESTRICTED TO: -

SCALE: NTS
SHEET: 2 of 2
REV: 1

CUSTOMER DRAWING