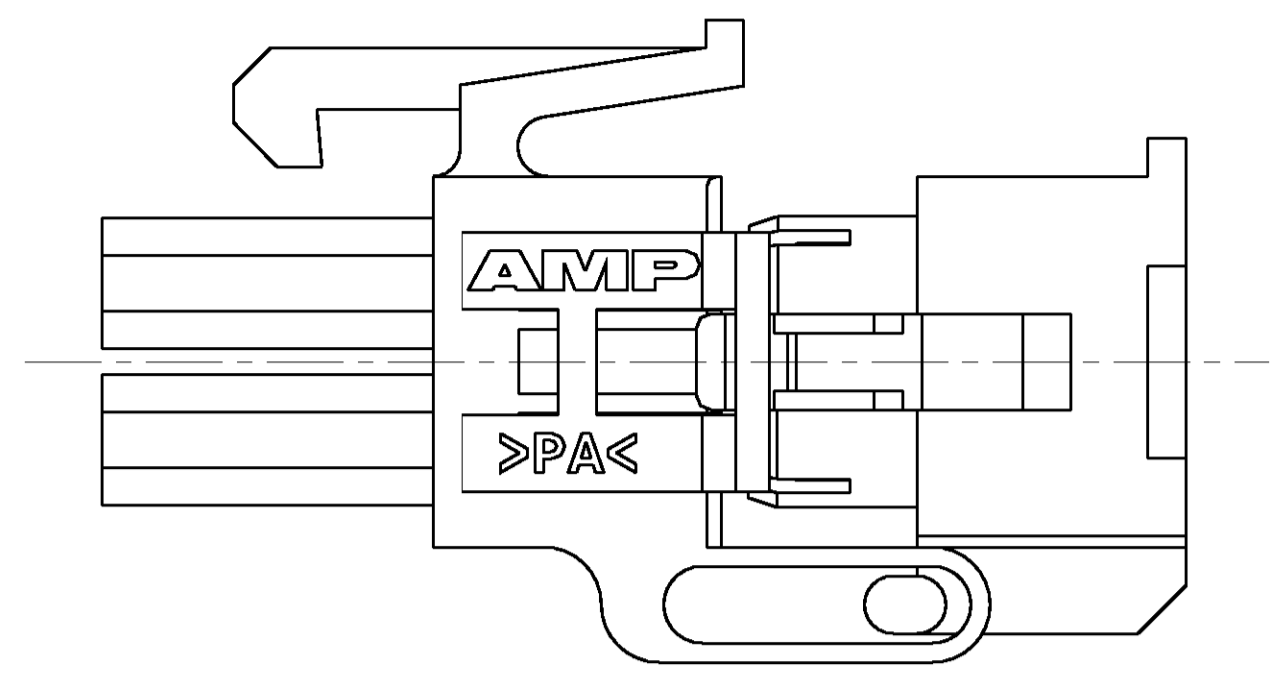
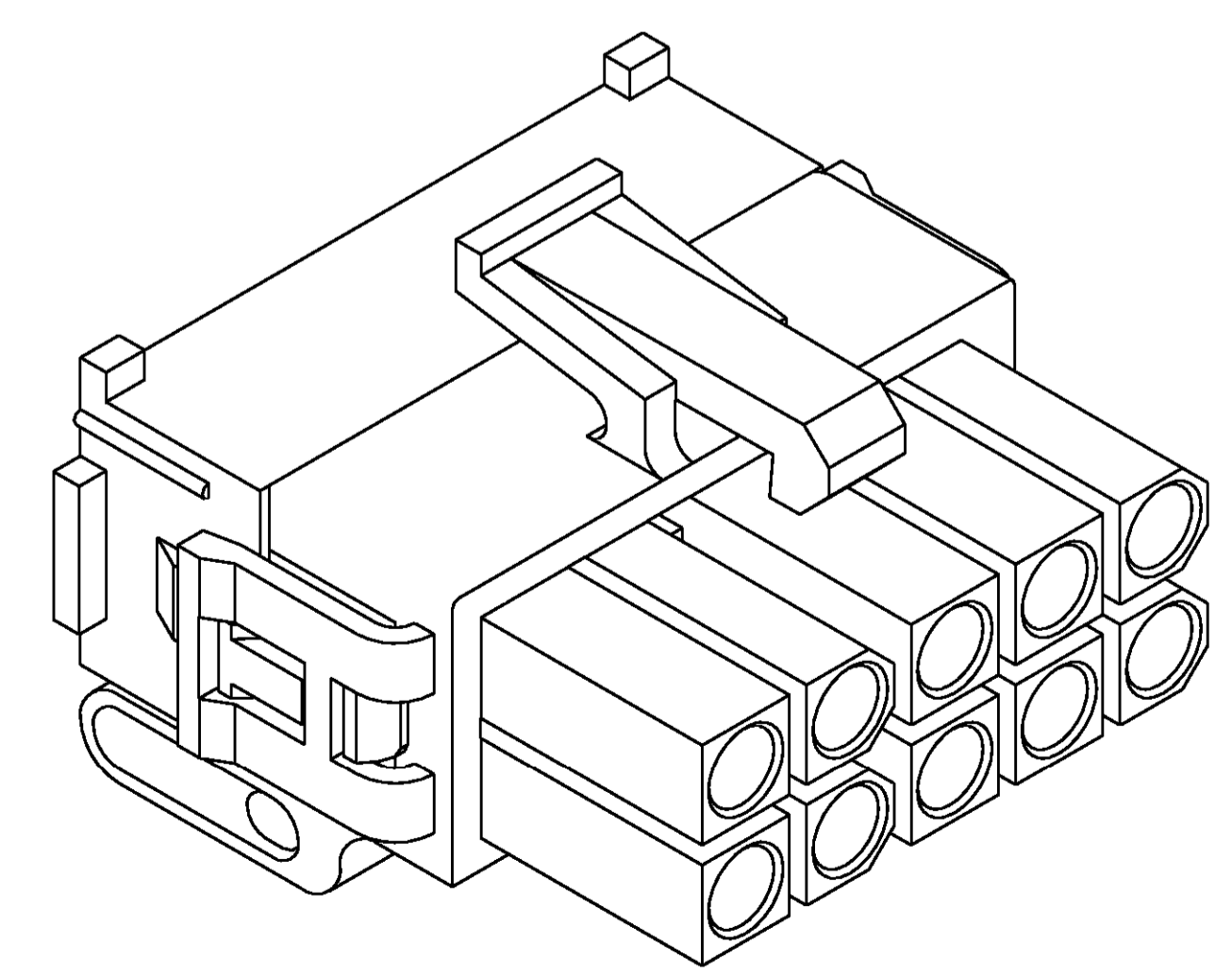
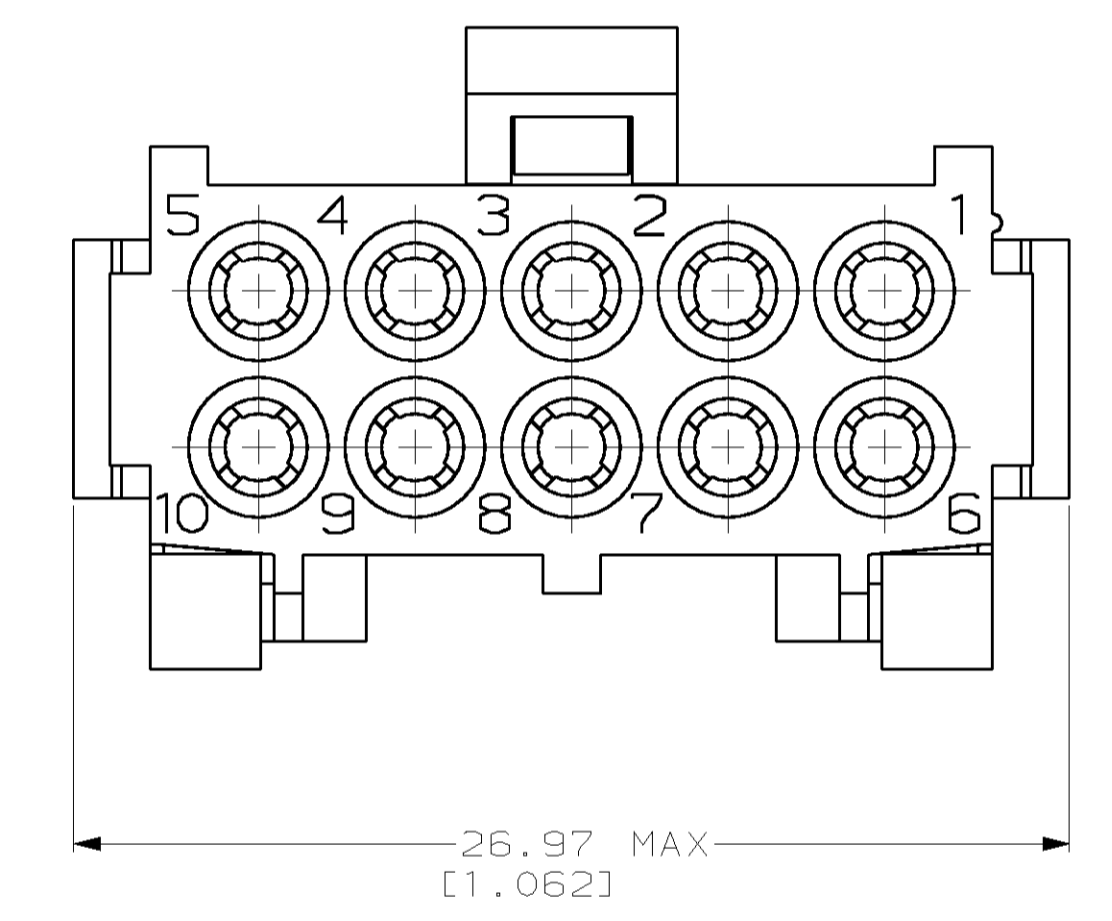
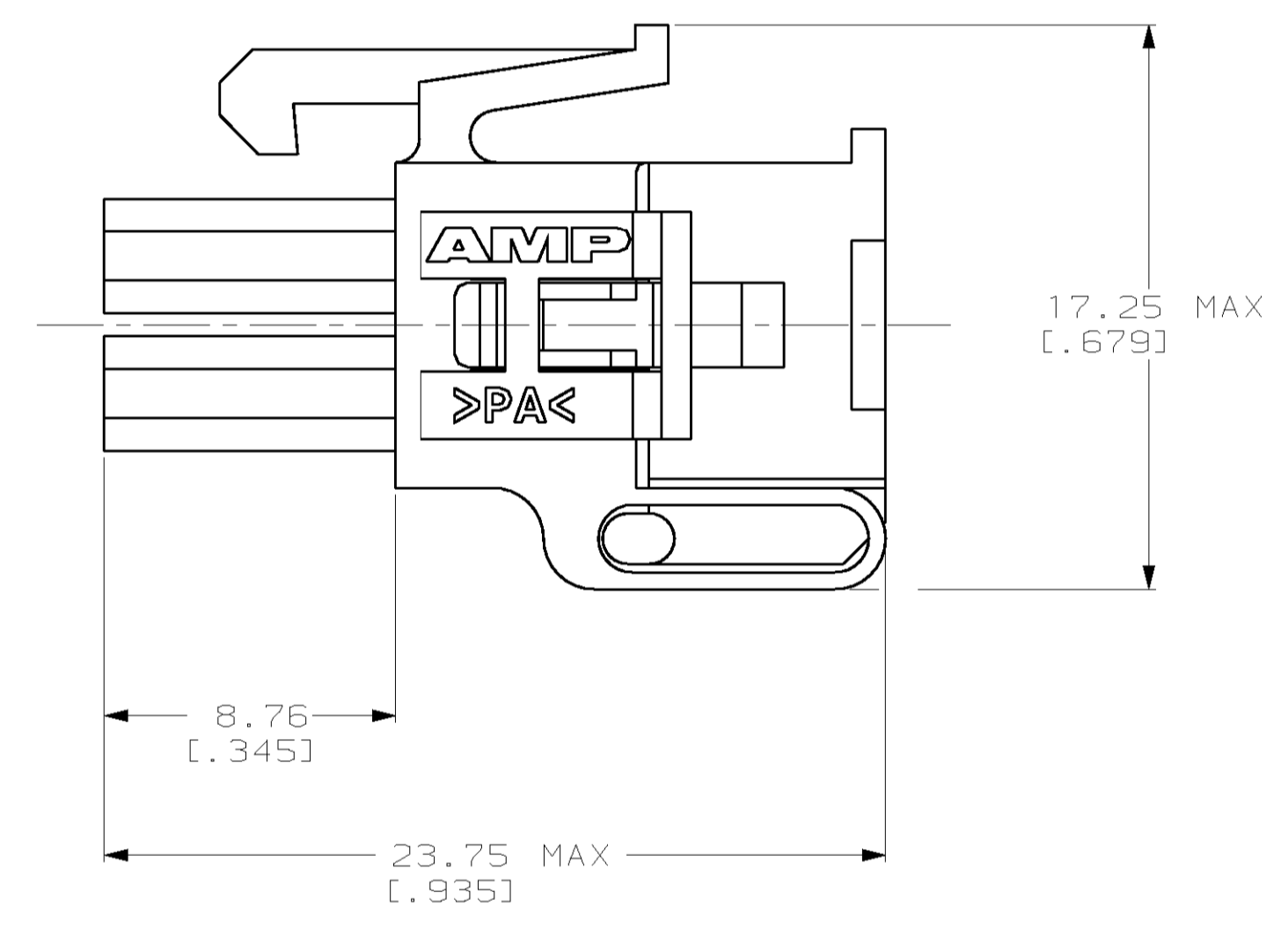
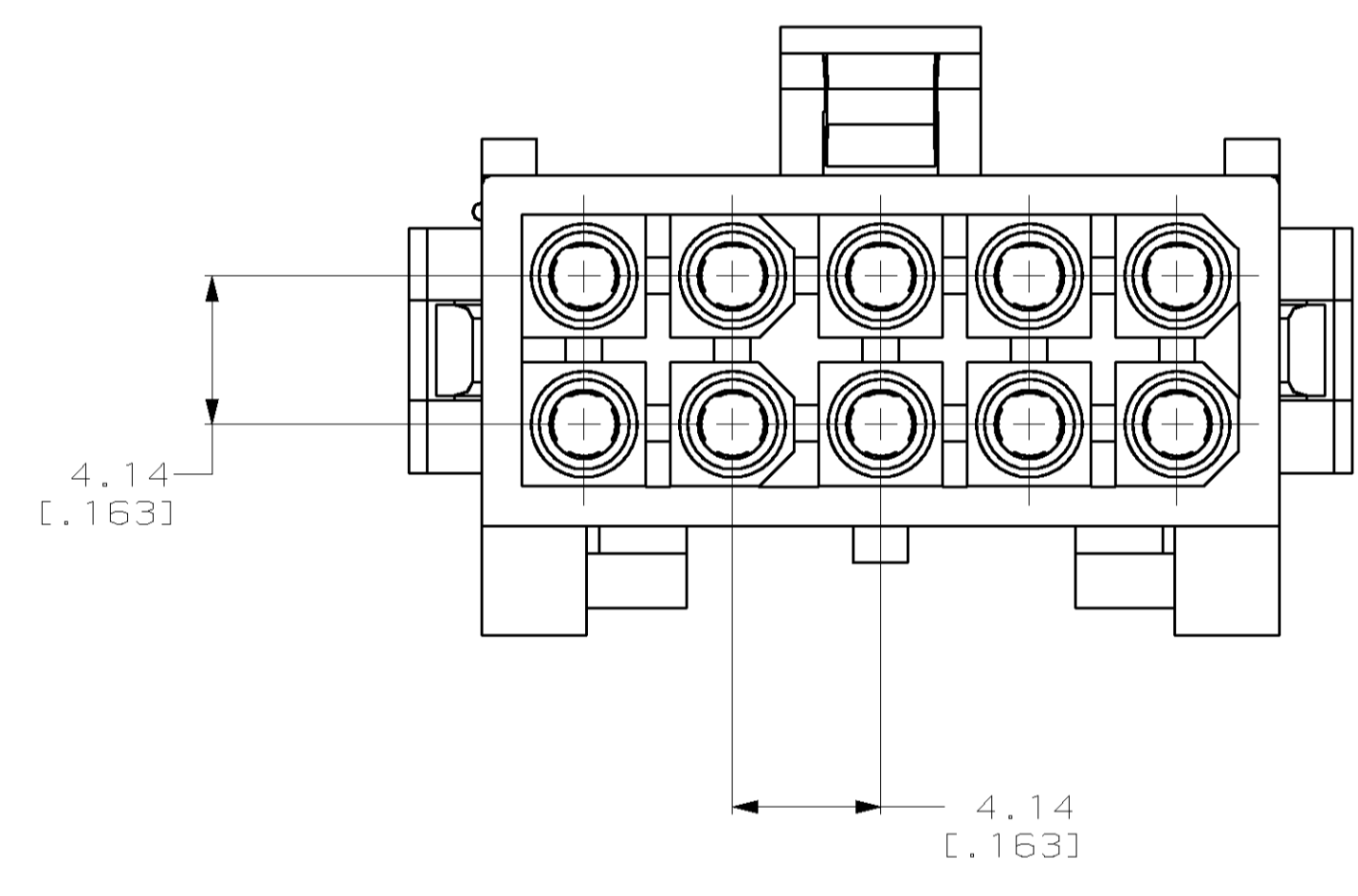


LOC	DIST	REVISIONS			
F	CHR	DESCRIPTION	DATE	OWN	APVD
B		REV PER EC 061B-0094-99	23-SEP-99	KW	KC



PRE-STAGED CONDITION

1. DIMENSIONS IN BRACKETS ARE IN INCHES.



3-DIMENSIONAL MODEL
NTS

794196-1
PART NUMBER



THIS DRAWING IS A CONTROLLED DOCUMENT.		DWN K. WHITAKER 5-14-97	AMP AMP Incorporated Harrisburg, PA 17105-3608
		CHK R. SWING 5-14-97	
DIMENSIONS:		APVD S. ORSTAD 5-14-97	NAME PLUG, 10 CIRCUIT, MINI UNIVERSAL MATE-N-LOK™ 2
TOLERANCES UNLESS OTHERWISE SPECIFIED:		PRODUCT SPEC	APPLICATION SPEC
mm	0 PLC ±	APPLIC	SIZE CAGE CODE DRAWING NO
	1 PLC ±	WEIGHT	A1 00779 C-794196
	2 PLC ±	CUSTOMER DRAWING	RESTRICTED TO
	3 PLC ±0.13 (.005)	SCALE 5:1	SHEET 1 OF 1
	4 PLC ±	REV B	
	ANGLES ±		
MATERIAL NYLON, UL 94V-0,NATURAL	FINISH		